

# **SPARE PARTS LIST**

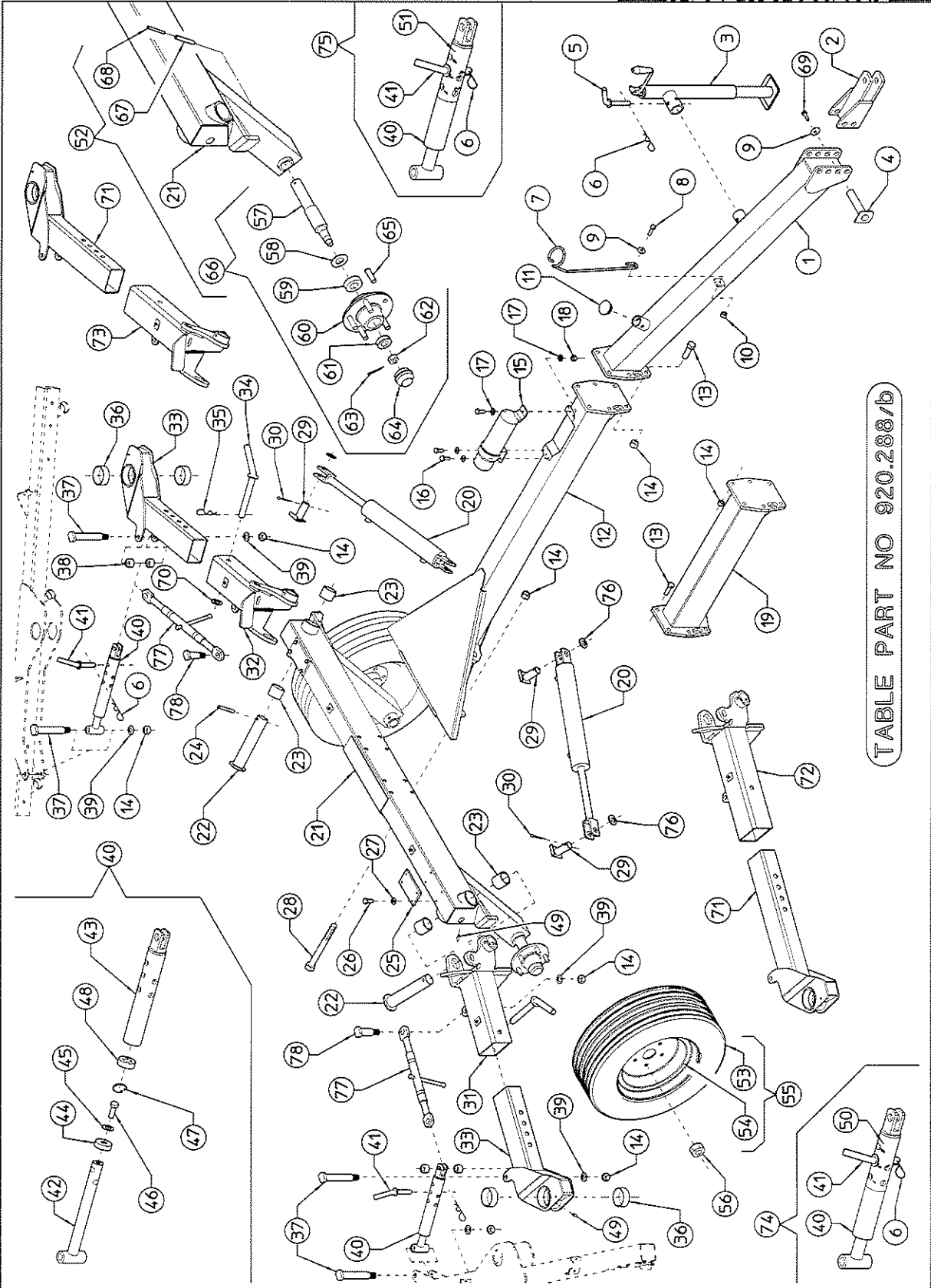


TABLE PART NO 920.288/b

TABLE PART NO 920.288/b						
ITEM	Q.ty QR/8	Q.ty QR/10	Q.ty QR/12	PART NO	DESCRIPTION	NOTE
1	1	1	1	230.787	DRAWBAR	
2	1	1	1	230.370	BRACKET	
3	1	1	1	220.197	PARKING STAND	
4	2	2	2	200.828	PIN	
5	1	1	1	200.222	PIN	
6	3	3	3	600.019	SPLIT PIN $\phi 3$	
7	1	1	1	110.105	SUPPORT	
8	1	1	1	600.616	SCREW M12x35 DIN 933 8.8	
9	3	3	3	600.092	WASHER $\phi 12 \times 36$	
10	1	1	1	600.077	NUT M12 DIN 980	
11	1	1	1	610.790	PLUG	
12	1	1	1	230.679	DRAWBAR	
13	6	6	12	600.176	SCREW M16x50 DIN 931 8.8	
14	20	20	26	600.080	NUT M16 DIN 980	
15	1	1	1	230.457	CANISTER	
16	3	3	3	630.003	SCREW M6x20 DIN 933	
17	6	6	6	600.135	WASHER $\phi 6.6-18 \times 2$ UNI 6593	
18	3	3	3	600.472	NUT M6 DIN 980	
19	*	*	1	230.367	DRAWBAR	Qr 12 only
20	2	2	2	230.717	CYLINDER	
21	1	1	1	230.675	CART FRAME	
22	2	2	2	230.319	PIN	
23	4	4	4	200.199	BUSH	
24	2	2	2	600.656	SPRING PIN $\phi 12 \times 70$ DIN 1481	
25	2	2	2	230.506	BLOCK	
26	8	8	8	600.223	SCREW M8x20 DIN 933 8.8	
27	8	8	8	610.185	WASHER $\phi 9-21 \times 2$ UNI 6593	
28	8	8	8	600.595	SCREW M16x140 DIN 931 8.8	
29	4	4	4	230.368	PIN	
30	4	4	4	600.038	SPLIT PIN D6x35 DIN 94 3.6	
31	1	1	*	230.809	RH ARM	Qr 8-10 only
32	1	1	*	230.810	LH ARM	Qr 8-10 only
33	2	2	*	230.684	ARM	Qr 8-10 only
34	2	2	2	230.714	PIN	
35	2	2	2	600.308	SPLIT PIN $\phi 4$	
36	4	4	4	230.666	BUSH	
37	4	4	4	230.669	PIN	
38	4	4	4	230.377	BUSH	
39	6	6	6	600.031	WASHER $\phi 17$ UNI 6592	
40	2	2	2	230.725	THE ROD, ASSY	

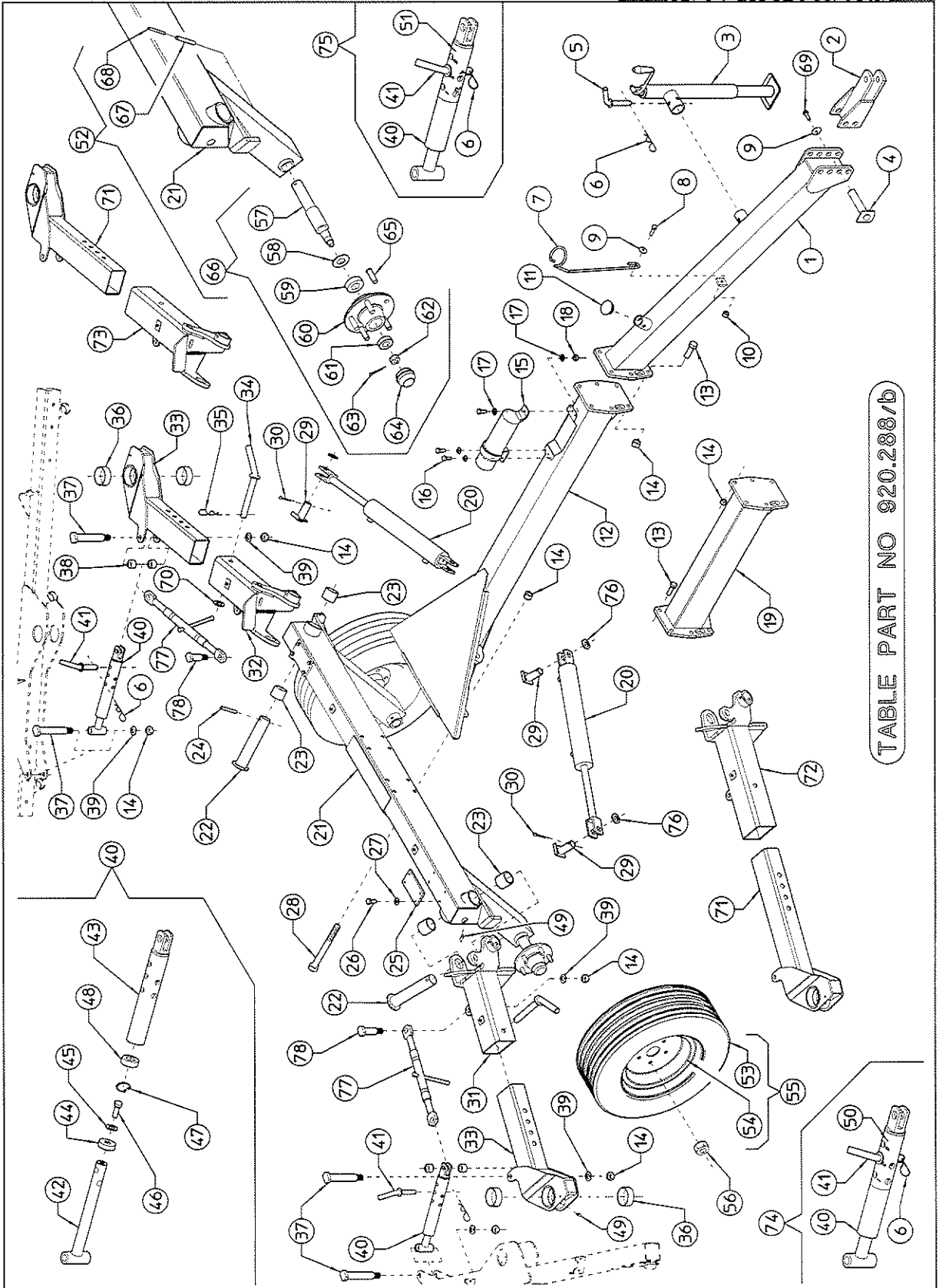


TABLE PART NO 920.288/b

TABLE PART NO 920.288/b						
ITEM	Q.ty QR/8	Q.ty QR/10	Q.ty QR/12	PART NO	DESCRIPTION	NOTE
41	2	2	2	230.715	PIN	
42	2	2	2	230.720	ROD	
43	2	2	2	230.719	BARREL	
44	2	2	2	230.721	WASHER ø11-40x10	
45	2	2	2	600.024	SPRING WASHER ø10,5 DIN 125A	
46	2	2	2	600.227	SCREW M10x20 DIN 933 8.8	
47	2	2	2	600.885	SNAP RING I42 DIN 472	
48	2	2	2	230.722	BUSH	
49	4	4	4	600.034	GREASE NIPPLE M8	
50	1	1	1	001.628	LABEL DX	
51	1	1	1	001.629	LABEL SX	
52	1	1	1	230.814	CART FRAME WITH HUBS	
53	2	2	2	600.303	TIRE	
54	2	2	2	600.304	RIM	
55	2	2	2	600.281	TIRE ASSY	
56	10	10	10	600.289	NUT M16x1,5	
57	2	2	2	225.839	HUB PIN	
58	2	2	2	600.284	DUST COVER	
59	2	2	2	600.285	BEARING 30208	
60	2	2	2	600.286	HUB	
61	2	2	2	600.287	BEARING 30206	
62	2	2	2	600.288	NUT M27x1,5	
63	2	2	2	600.291	SPLIT PIN ø4x40 DIN 94 3.6	
64	2	2	2	600.290	CAP	
65	10	10	10	610.413	SCREW M16x1,5	
66	2	2	2	230.431	HUB ASSY	
67	2	2	2	610.788	SPRING PIN ø12x60 DIN 1481	
68	2	2	2	620.326	SPRING PIN ø7x60 DIN 1481	
69	2	2	2	600.770	SCREW M12x20 DIN 933 8.8	
70	2	2	2	600.632	WASHER ø21 UNI 6592	
71	*	*	2	230.685	ARM	Qr 12 only
72	*	*	1	230.811	RH ARM	Qr 12 only
73	*	*	1	230.812	LH ARM	Qr 12 only
74	1	1	1	230.733	TIE ROD DX, ASSY WITH LABEL	
75	1	1	1	230.734	TIE ROD SX, ASSY WITH LABEL	
76	4	4	4	600.336	WASHER ø25	
77	2	2	2	230.823	TIE ROD	
78	2	2	2	230.713	PIN	

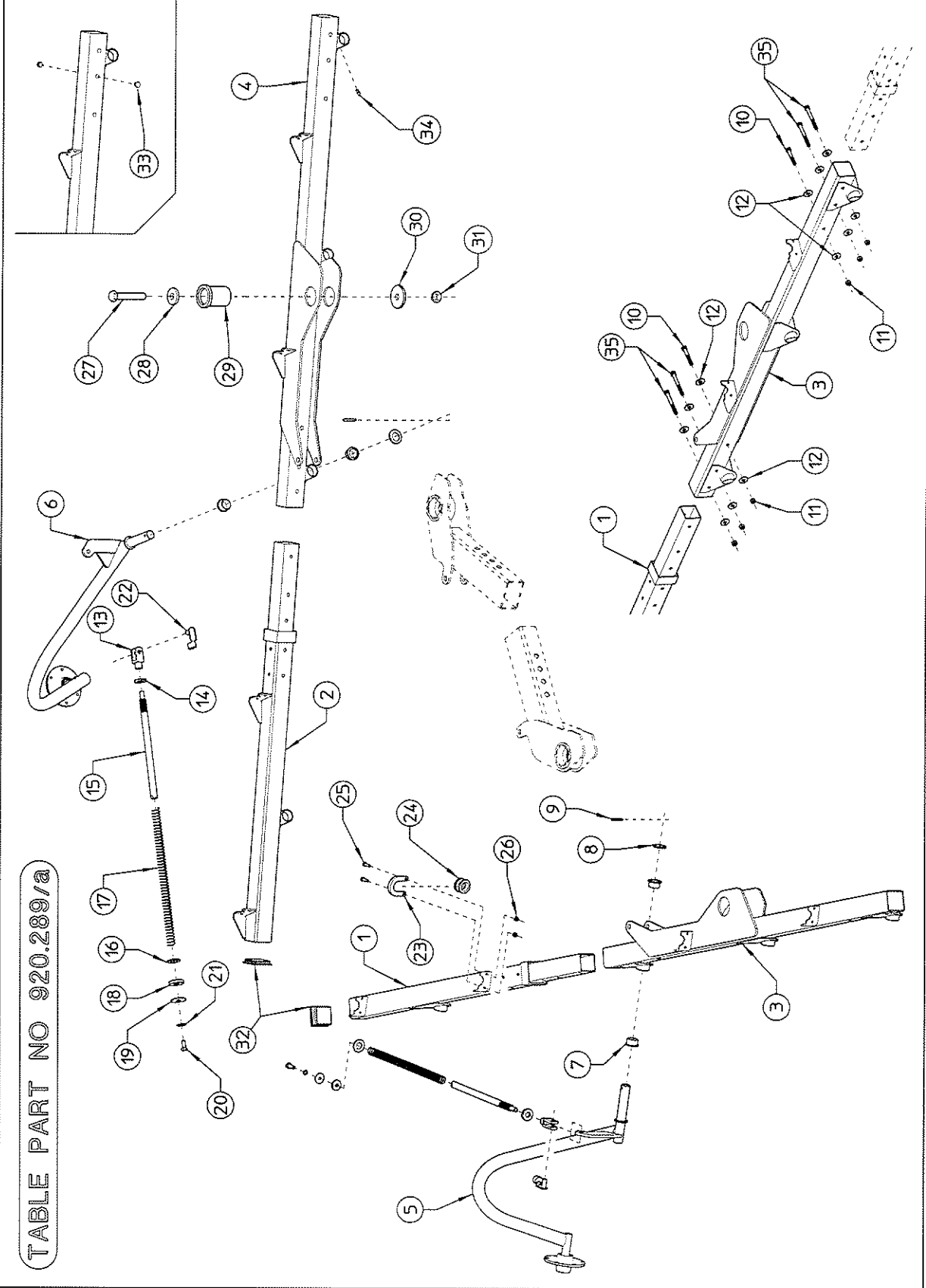


TABLE PART NO 920.289/a

TABLE PART NO 920.289/a						
ITEM	Q.ty QR/8	Q.ty QR/10	Q.ty QR/12	PART NO	DESCRIPTION	NOTE
1	1	1	1	230.710	RH EXTENSION	
2	1	1	1	230.711	LH EXTENSION	
3	1	1	*	230.671	MAIN PIPE, RH	Qr 8-10 only
3a	*	*	1	230.682	MAIN PIPE, RH	Qr 12 only
4	1	1	*	230.672	MAIN PIPE, LH	Qr 8-10 only
4a	*	*	1	230.683	MAIN PIPE, LH	Qr 12 only
5	4	4	5	230.673	WHEEL ARM, RH	
6	4	4	5	230.674	WHEEL ARM, LH	
7	16	20	24	200.029	BUSH	
8	8	10	12	200.028	WASHER $\phi 35,5-50 \times 5$	
9	8	10	12	600.027	SPRING PIN $\phi 8 \times 50$	
10	2	4	4	610.516	SCREW M12x100 DIN 931 8.8	
11	6	12	12	600.077	NUT M12 DIN 980	
12	12	24	24	600.092	WASHER $\phi 12 \times 36$	
13	8	10	12	630.375	FORK M16	
14	8	10	12	230.729	NUT M22	
15	8	10	12	230.658	ROD	
16	8	10	12	230.661	WASHER $\phi 26-55 \times 5$	
17	8	10	12	230.663	SPRING	
18	8	10	12	230.662	WASHER $\phi 23-50 \times 8$	
19	8	10	12	230.709	WASHER $\phi 13-50 \times 4$	
20	8	10	12	600.441	SCREW M12x25 DIN 933 8.8	
21	8	10	12	600.018	SPRING WASHER $\phi 13$ DIN 125A	
22	8	10	12	630.586	PIN	
23	8	10	12	230.664	SUPPORT	
24	8	10	12	230.659	BUSH	
25	16	20	24	600.702	SCREW M8x25 DIN 933 8.8	
26	16	20	24	600.076	NUT M8 DIN 980	
27	2	2	2	630.560	SCREW M24x150 DIN 931 8.8	
28	2	2	2	230.668	WASHER $\phi 25-64 \times 10$	
29	2	2	2	230.665	PIN	
30	2	2	2	230.667	WASHER $\phi 25-90 \times 10$	
31	2	2	2	620.255	NUT M24 DIN 980	
32	4	4	4	630.079	PLUG	
33	12	*	*	620.816	PLUG	Qr 8 only
34	8	10	12	600.124	GREASE NIPPLE M6	
35	4	8	8	600.156	SCREW M12x110 DIN 931 8.8	

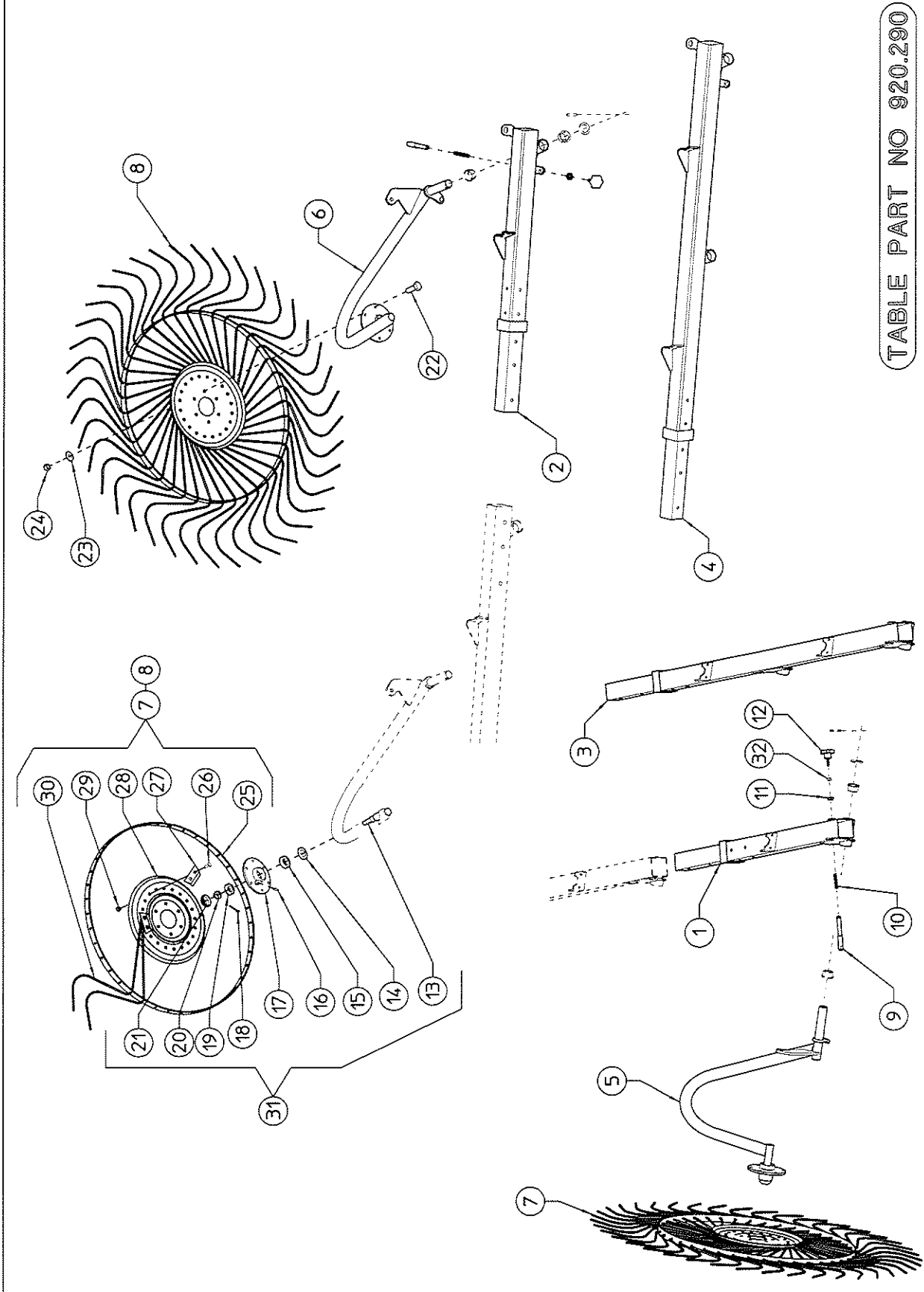
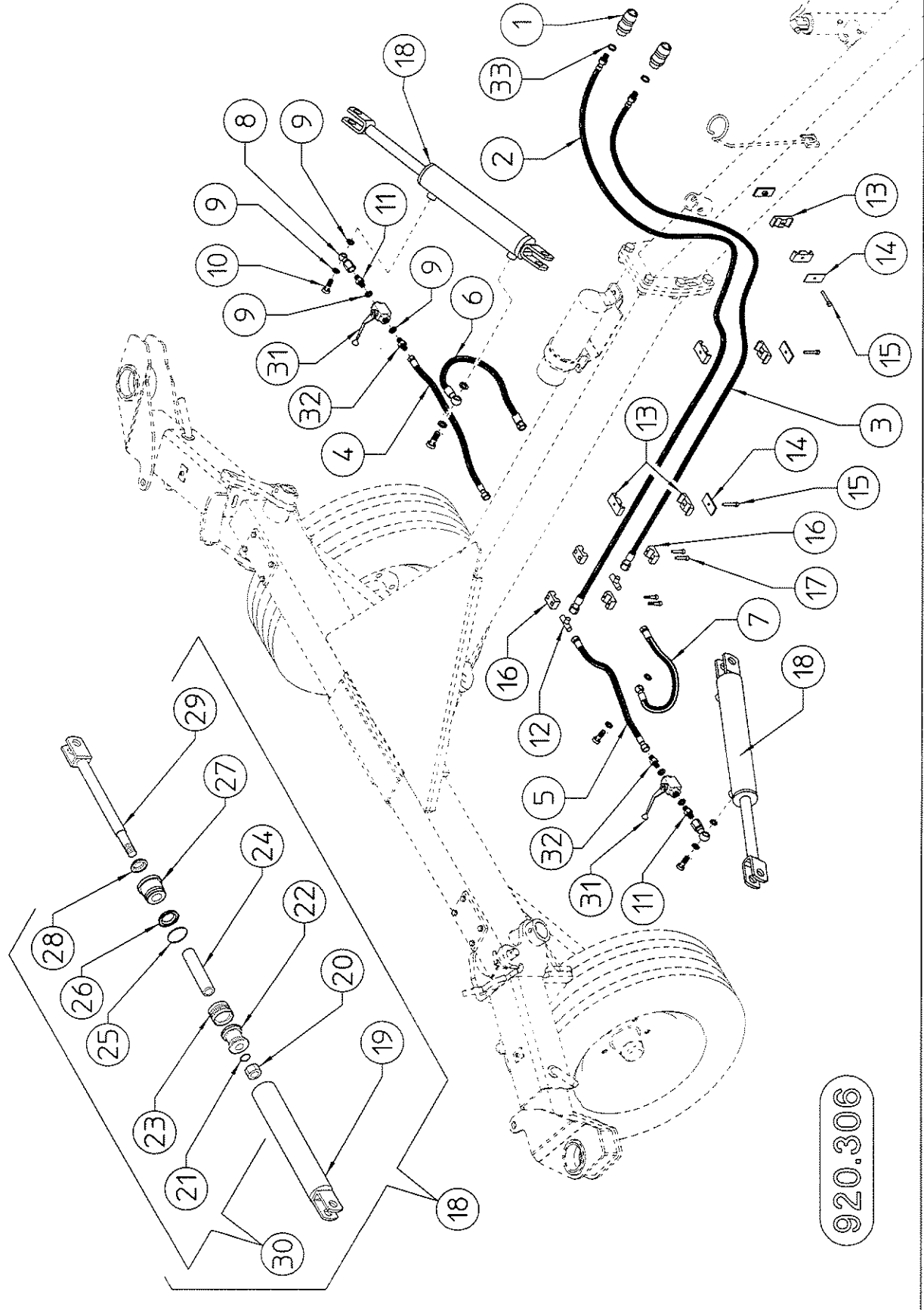


TABLE PART NO 920.290

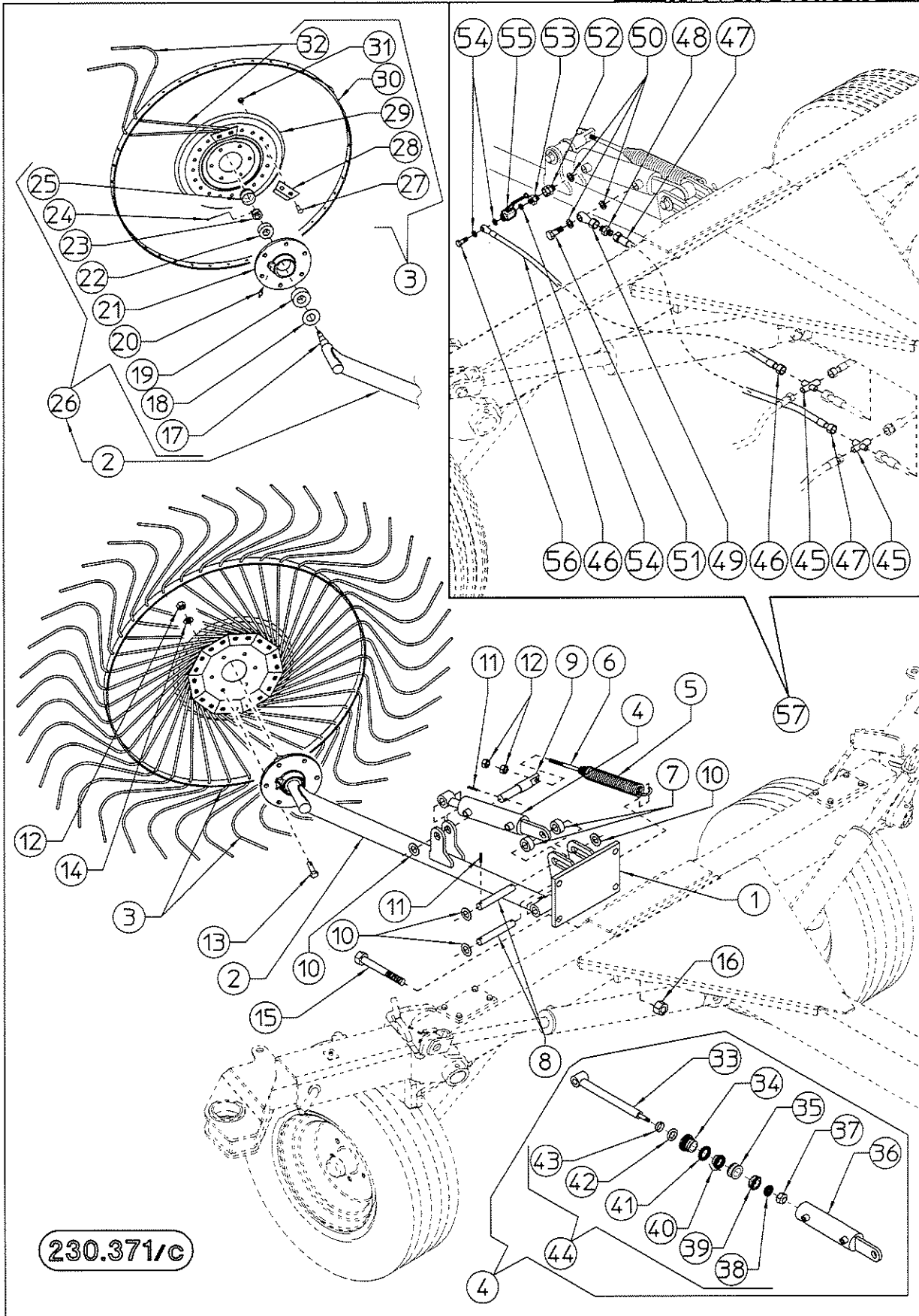


TABLE PART NO 920.290						
ITEM	Q.ty QR/8	Q.ty QR/10	Q.ty QR/12	PART NO	DESCRIPTION	NOTE
1	*	1	*	230.677	RH EXSTENSION	Qr-10 only
2	*	1	*	230.678	LH EXSTENSION	Qr-10 only
3	*	*	1	230.680	RH EXSTENSION	Qr-12 only
4	*	*	1	230.681	LH EXSTENSION	Qr-12 only
5	*	1	1	230.723	WHEEL ARM, RH	
6	*	1	1	230.724	WHEEL ARM, LH	
7	4	5	6	210.180	WHEEL ASSY, RH	
8	4	5	6	210.181	WHEEL ASSY, LH	
9	*	2	2	230.712	PIN	
10	*	2	2	230.716	SPRING	
11	*	2	2	600.082	NUT M16 DIN 936	
12	*	2	2	630.571	KNOB	
13	8	10	12	205.277	PIN	
14	8	10	12	600.011	DUST COVER	
15	8	10	12	600.012	BEARING 30205	
16	8	10	12	600.034	GREASE NIPPLE M8	
17	8	10	12	600.013	WHEEL HUB	
18	8	10	12	600.301	SPLIT PIN $\phi 3 \times 30$ DIN 94	
19	8	10	12	600.014	BEARING 30204	
20	8	10	12	600.015	SELF-LOCKING NUT M18x1,5	
21	8	10	12	600.016	SAFETY CAP	
22	48	60	72	600.006	SCREW M10x25 DIN 933 8.8	
23	48	60	72	600.024	SPRING WASHER $\phi 10,5$ similar to DIN 127B	
24	48	60	72	600.010	NUT M10 DIN 934-8	
25	8	10	12	200.009	RIM	
26	160	200	240	600.005	SCREW M10x25 DIN 603	
27	80	100	120	200.012	TINE CLAMP	
28	8	10	12	200.010	FLANGE	
29	160	200	240	600.029	NUT M10 DIN 980	
30	320	400	480	210.621	TINE DIA 0,276" (7mm)	
31	8	10	12	205.041	HUB ASSY	
32	*	2	2	600.037	NUT M8 DIN 934	



920.306

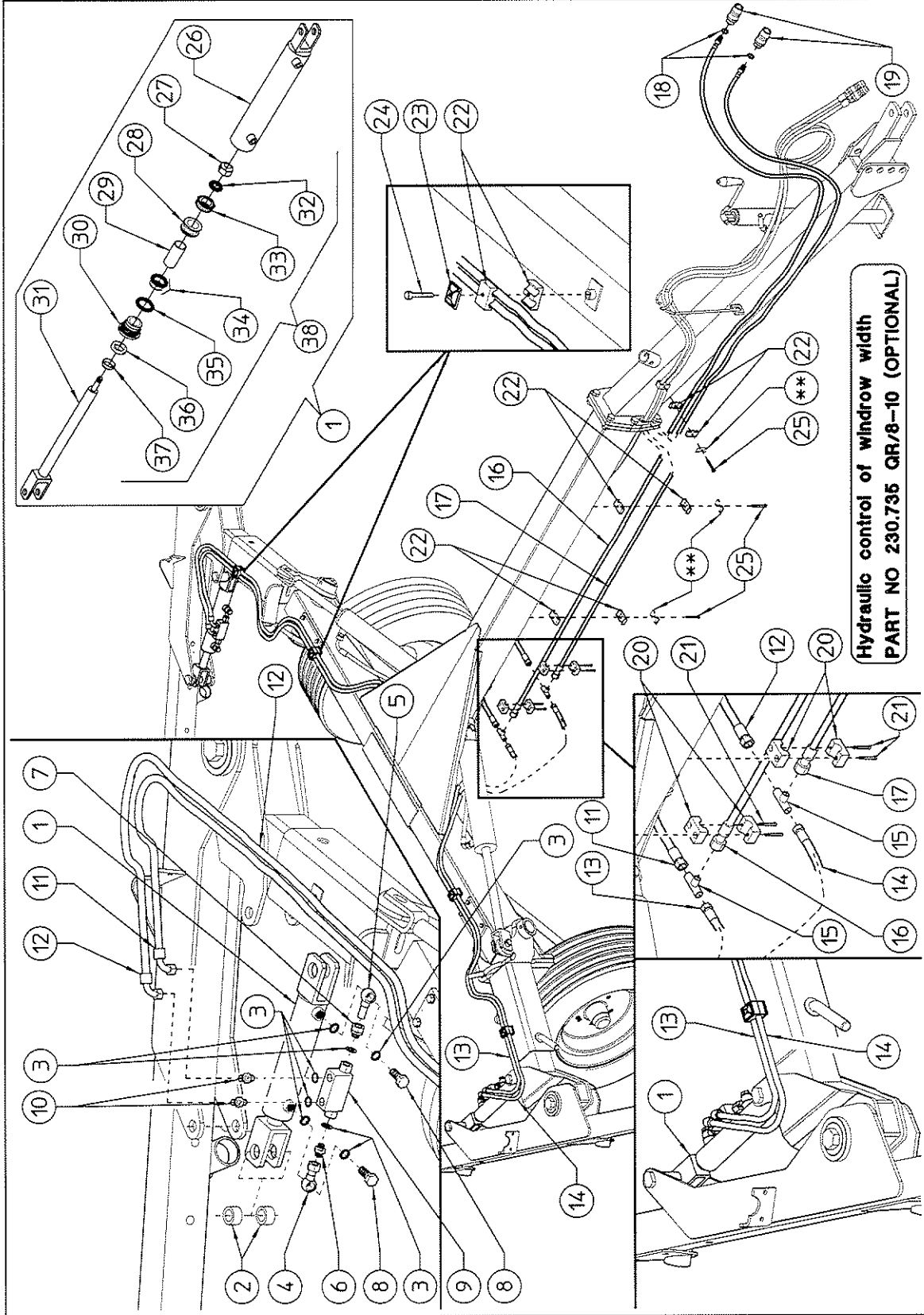
TABLE PART NO 920.306				
ITEM	Q.ty	PART NO	DESCRIPTION	NOTE
1	2	600.273	RAPID COUPLING 1/2"	
2	1	630.621	HOSE SAE100 R2AT 1/4" L 4300 FD-MD	For Qr/8-10
2	1	630.625	HOSE SAE100 R2AT 1/4" L 5100 FD-MD	For Qr/12
3	1	630.622	HOSE SAE100 R2AT 1/4" L 4150 FD-MD	For Qr/8-10
3	1	630.626	HOSE SAE100 R2AT 1/4" L 4950 FD-MD	For Qr/12
4	1	630.689	HOSE SAE100 R2AT 1/4" L 420 FD-FD	
5	1	630.690	HOSE SAE100 R2AT 1/4" L 540 FD-FD	
6	1	630.623	HOSE SAE100 R2AT 1/4" L 475 FD-OC	
7	1	630.624	HOSE SAE100 R2AT 1/4" L 420 FD-OC	
8	2	630.315	TURNING FITTING FD-OC	
9	12	620.452	COPPER WASHER 3/8"	
10	4	600.040	FITTING SCREW	
11	2	200.192	NIPPLE 3/8"- 3/8" 0.8	
12	2	600.823	FITTING M-M-M 1/4"	
13	6	630.457	HOSE COLLAR ø16	
14	3	610.164	PLATE	
15	3	610.165	SCREW M8x35 DIN 931	
16	4	610.035	HOSE COLLAR	
17	4	610.037	SCREW M6x25 TCEI	
18	2	230.717	CYLINDER	
19	2	230.727	CYLINDER BARREL	
20	1*	600.879	NUT	*For one cylinder
21	1*	600.983	GASKET	*For one cylinder
22	2	210.227	PISTON	
23	1*	600.984	GASKET	*For one cylinder
24	2	230.726	SPACER	
25	1*	600.982	GASKET	*For one cylinder
26	1*	610.031	GASKET	*For one cylinder
27	2	210.569	CYLINDER HEAD	
28	1*	600.645	GASKET	*For one cylinder
29	2	230.728	ROD	
30	1*	610.340	SET OF GASKET	*For one cylinder
31	2	610.002	VALVE	
32	2	600.270	NIPPLE 3/8"- 3/8"	
33	2	630.048	COPPER WASHER 1/2"	



230.371/c

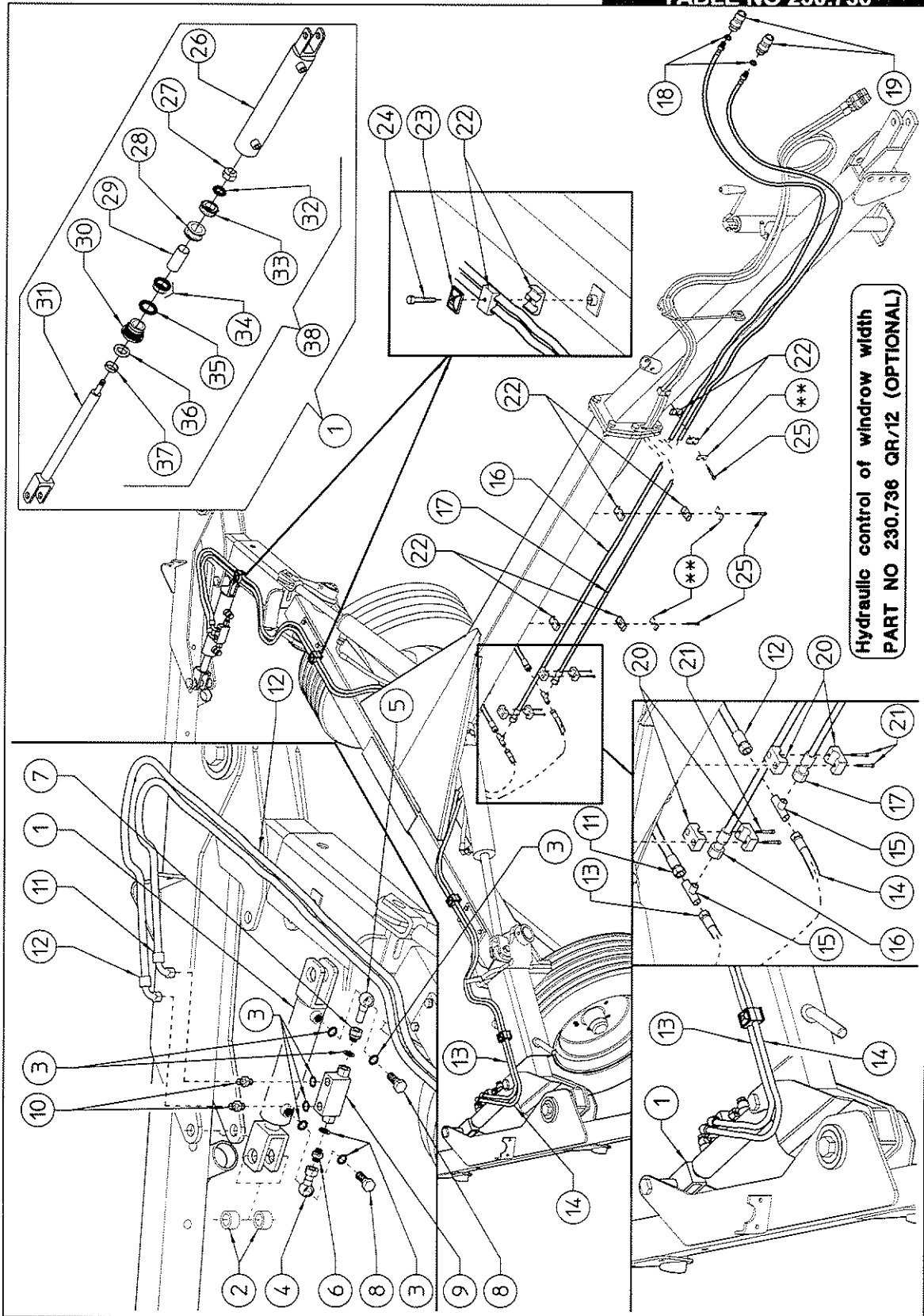
WHEEL CENTRAL KIT 230.371/c				
ITEM	Q.ty	PART NO	DESCRIPTION	NOTE
1	1	230.306	SUPPORT	
2	1	230.374	ARM	
3	1	200.802	WHEEL ASSY L.H. (TINE DIA 0,276" 7mm)	
4	1	230.375	CYLINDER	
5	1	230.376	SPRING	
6	1	210.173	TIE ROD	
7	2	230.377	SPACER	
8	2	230.378	PIN	
9	1	230.379	PIN	
10	5	600.632	WASHER $\phi$ 21 DIN 125A	
11	5	600.538	SPING PIN $\phi$ 6x35 DIN 1481	
12	8	600.010	NUT M10 DIN 934	
13	6	600.006	SCREW M10 x 25 DIN 933	
14	6	600.024	SPRING WASHER D 10,5 similar to DIN 127B	
15	4	600.219	SCREW M16x150 DIN 931	
16	4	600.080	NUT M16 DIN 980	
17	1	205.819	PIN	
18	1	600.011	DUST COVER	
19	1	600.012	BEARING 30205	
20	1	600.034	GREASE NIPPLE M8	
21	1	600.013	WHEEL HUB	
22	1	600.014	BEARING 30204	
23	1	600.015	SELF-LOCKING NUT M18x1,5	
24	1	600.301	SPLIT PIN $\phi$ 3x30 DIN 94	
25	1	600.016	SAFETY CAP	
26	1	205.777	HUB ASSY	
27	20	600.005	SCREW M10x25 DIN 603	
28	10	200.012	TINE CLAMP	
29	1	200.010	FLANGE	
30	1	200.840	RIM	
31	20	600.029	NUT M10 DIN 980	
32	40	200.841	TINE DIA 0,276" (7mm)	
33	1	230.400	ROD $\phi$ 20	
34	1	230.398	HEAD $\phi$ 40/20	
35	1	230.397	PISTON $\phi$ 40	
36	1	230.399	CYLINDER BARREL $\phi$ 40/50	
37	1	600.121	NUT M18x1,5 DIN 985	
38	1	630.322	GASKET OR $\phi$ 12,34x2,62	
39	1	610.028	GASKET DBM 157118	
40	1	630.321	GASKET OR $\phi$ 36,14x2,62 + BK	
41	1	630.323	GASKET OR $\phi$ 39,34x2,62	
42	1	630.324	GASKET $\phi$ 20/28x5,8	
43	1	610.025	GASKET WRM 078110	
44	1	630.325	SET OF GASKET	
45	2	620.978	FITTING 1/4"	
46	1	630.632	HOSE SAE 100R2AT x1/4" L.730-28,74"	
47	1	630.631	HOSE SAE 100R2AT x1/4" L.640-25,20"	
48	1	200.192	NIPPLE 3/8"-3/8" WITH ORIFICE 0,8	
49	1	630.315	FITTING 3/8"	
50	3	620.452	COPPER WASHER 3/8"	
51	1	600.040	FITTING 3/8"	
52	1	600.271	FITTING 3/8" MALE-3/8" FEMALE	
53	1	600.883	NIPPLE 1/4"-3/8"	
54	3	630.376	COPPER WASHER 1/4"	
55	1	620.492	VALVE 1/4" 170 bar	
56	1	600.820	FITTING 1/4"	
57	1	230.344/d	HYDRAULIC KIT	

TABLE NO 230.735



HYDRAULIC CONTROL OF WINDROW WIDTH QR/8-10 - PART NO 230.735 (OPTIONAL)				
ITEM	Q.ty	PART NO	DESCRIPTION	NOTE
1	2	230.383	CYLINDER	
2	4	230.377	BUSH	
3	16	630.376	COPPER WASHER $\phi$ 1/4"	
4	2	630.332	FITTING 1/4"	
5	2	230.412	TUBE	
6	2	630.331	NIPPLE 1/4"-1/4" WITH ORIFICE 0,6	
7	2	630.334	FITTING MALE 1/4" FEMALE $\phi$ 12	
8	4	600.820	FITTING 1/4"	
9	2	630.333	LOCK VALVE 1/4"	
10	4	630.320	NIPPLE 1/4"-1/4"	
11	1	630.629	HOSE R2 AT 1/4" LENGHT 1900mm-74,80"	
12	1	630.630	HOSE R2 AT 1/4" LENGHT 2150mm-84,65"	
13	1	630.627	HOSE R2 AT 1/4" LENGHT 2000mm-78,74"	
14	1	630.628	HOSE R2 AT 1/4" LENGHT 2050mm-80,71"	
15	2	600.823	FITTING MALE 1/4"	
16	1	630.621	HOSE R2 AT 1/4" LENGHT 4300mm-169,29"	
17	1	630.622	HOSE R2 AT 1/4" LENGHT 4150mm-163,38"	
18	2	630.048	COPPER WASHER $\phi$ 1/2"	
19	2	600.273	RAPID COUPLING 1/2"	
20	4	610.035	HOSE COLLAR	
21	4	610.901	SCREW M6x60 DIN 912	
22	14	630.457	DOUBLE HOSE COLLAR	
23	4	610.164	COLLAR CLAMP	
24	4	610.165	SCREW M8x35 DIN 931	
25	3	610.525	SCREW M8x60 DIN 931	
26	2	230.409	CYLINDER BARREL $\phi$ 40/50	
27	2	600.121	NUT M18x1,5 DIN 985	
28	2	230.397	PISTON $\phi$ 40	
29	2	230.411	SPACER	
30	2	230.398	HEAD $\phi$ 40/20	
31	2	230.410	ROD $\phi$ 20	
32	2	630.322	GASKET OR $\phi$ 12,34x2,62	
33	2	610.028	GASKET DBM 157118	
34	2	630.321	GASKET OR $\phi$ 36,14x2,62 + BK	
35	2	630.323	GASKET OR $\phi$ 39,34x2,62	
36	2	630.324	GASKET $\phi$ 20/28x5,8	
37	2	610.025	GASKET WRM 078110	
38	2	630.325	SET OF GASKET	
**	USE THE PIECES ALL READY FITTED ON THE MACHINE			

TABLE NO 230.736

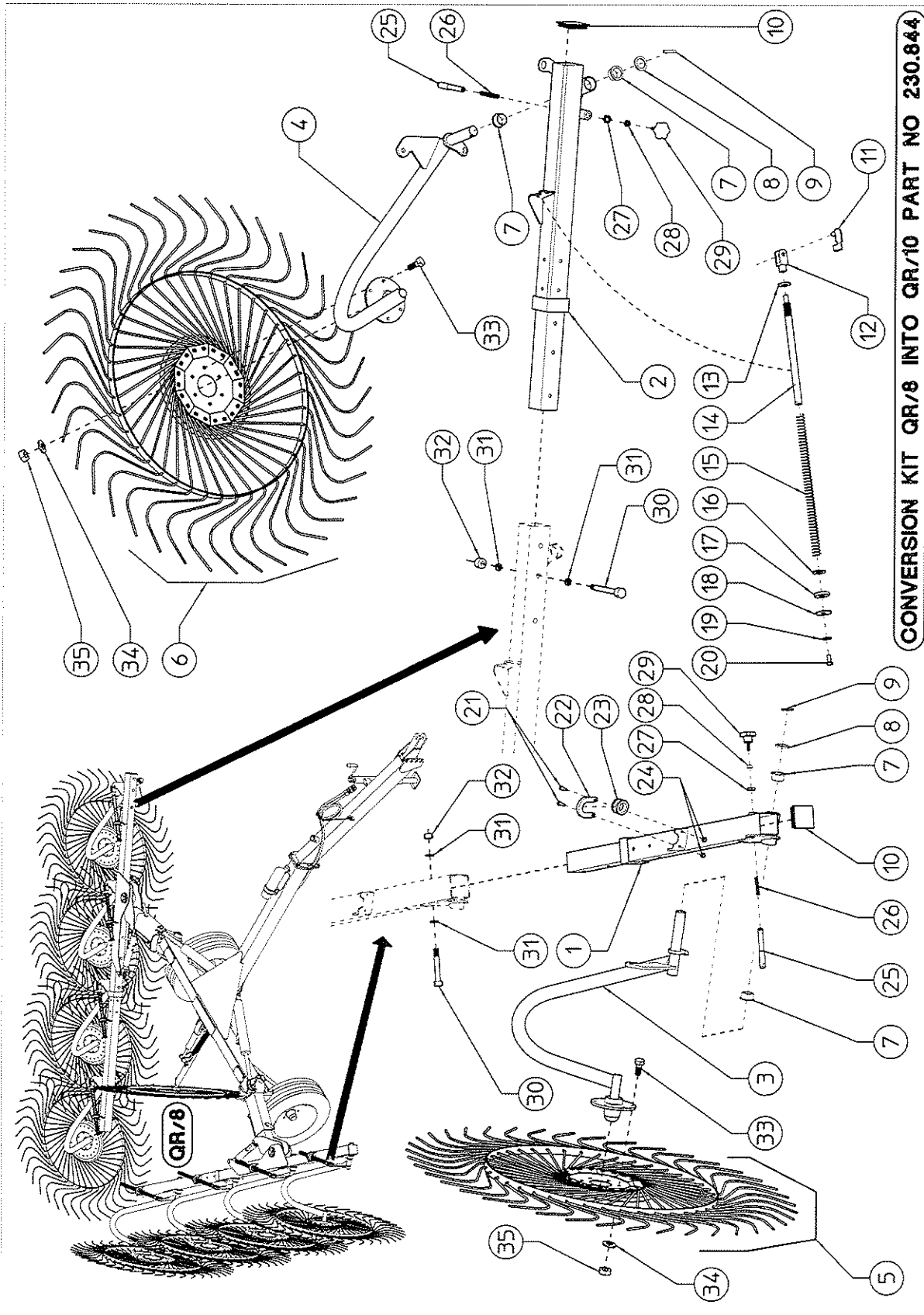


Hydraulic control of window width  
PART NO 230.736 QR/12 (OPTIONAL)



HYDRAULIC CONTROL OF WINDROW WIDTH QR/12 - PART NO 230.736 (OPTIONAL)				
ITEM	Q.ty	PART NO	DESCRIPTION	NOTE
1	2	230.383	CYLINDER	
2	4	230.377	BUSH	
3	16	630.376	COPPER WASHER $\phi$ 1/4"	
4	2	630.332	FITTING 1/4"	
5	2	230.412	TUBE	
6	2	630.331	NIPPLE 1/4"-1/4" WITH ORIFICE 0,6	
7	2	630.334	FITTING MALE 1/4" FEMALE $\phi$ 12	
8	4	600.820	FITTING 1/4"	
9	2	630.333	LOCK VALVE 1/4"	
10	4	630.320	NIPPLE 1/4"-1/4"	
11	1	630.629	HOSE R2 AT 1/4" LENGHT 1900mm-74,80"	
12	1	630.630	HOSE R2 AT 1/4" LENGHT 2150mm-84,65"	
13	1	630.627	HOSE R2 AT 1/4" LENGHT 2000mm-78,74"	
14	1	630.628	HOSE R2 AT 1/4" LENGHT 2050mm-80,71"	
15	2	600.823	FITTING MALE 1/4"	
16	1	630.625	HOSE R2 AT 1/4" LENGHT 5100mm-200,78"	
17	1	630.626	HOSE R2 AT 1/4" LENGHT 4950mm-194,88"	
18	2	630.048	COPPER WASHER $\phi$ 1/2"	
19	2	600.273	RAPID COUPLING 1/2"	
20	4	610.035	HOSE COLLAR	
21	4	610.901	SCREW M6x60 DIN 912	
22	14	630.457	DOUBLE HOSE COLLAR	
23	4	610.164	COLLAR CLAMP	
24	4	610.165	SCREW M8x35 DIN 931	
25	3	610.525	SCREW M6x60 DIN 931	
26	2	230.409	CYLINDER BARREL $\phi$ 40/50	
27	2	600.121	NUT M18x1,5 DIN 985	
28	2	230.397	PISTON $\phi$ 40	
29	2	230.411	SPACER	
30	2	230.398	HEAD $\phi$ 40/20	
31	2	230.410	ROD $\phi$ 20	
32	2	630.322	GASKET OR $\phi$ 12,34x2,62	
33	2	610.028	GASKET DBM 157118	
34	2	630.321	GASKET OR $\phi$ 36,14x2,62 + BK	
35	2	630.323	GASKET OR $\phi$ 39,34x2,62	
36	2	630.324	GASKET $\phi$ 20/28x5,8	
37	2	610.025	GASKET WRM 078110	
38	2	630.325	SET OF GASKET	
**	USE THE PIECES ALL READY FITTED ON THE MACHINE			

# CONVERSION KIT QR/8 INTO QR/10 PART NO 230.844



CONVERSION KIT QR/8 INTO QR/10 PART NO 230.844

CONVERSION KIT QR/8 INTO QR/10 - PART NO 230.844				
ITEM	Q.ty	PART NO	DESCRIPTION	NOTE
1	1	230.677	RH EXTENSION	
2	1	230.678	LH EXTENSION	
3	1	230.723	RH ARM	
4	1	230.724	LH ARM	
5	1	210.180	RH WHEEL ASSY	
6	1	210.181	LH WHEEL ASSY	
7	4	200.029	NYLON BUSH	
8	2	200.028	WASHER $\phi 35,5/50 \times 5$	
9	2	600.027	SPRING PIN $\phi 8 \times 50$	
10	2	630.079	PLUG	
11	2	630.586	PIN	
12	2	630.375	FORK M16	
13	2	230.729	NUT M22	
14	2	230.658	TIE ROD $\phi 25$	
15	2	230.663	SPRING	
16	2	230.661	WASHER $\phi 26-55 \times 5$	
17	2	230.662	WASHER $\phi 23-50 \times 8$	
18	2	230.709	WASHER $\phi 13-50 \times 4$	
19	2	600.018	SPRING WASHER $\phi 13$ DIN 125A	
20	2	600.441	SCREW M12x25 DIN 933 8.8	
21	4	600.702	SCREW M8x25 DIN 933 8.8	
22	2	230.664	SUPPORT	
23	2	230.659	NYLON BUSH	
24	4	600.076	NUT M8 DIN 980	
25	2	230.712	PIN	
26	2	230.716	SPRING	
27	2	600.082	NUT M16 DIN 936	
28	2	600.037	NUT M8 DIN 934	
29	2	630.571	KNOB	
30	6	610.516	SCREW M12 x 100 DIN 931 8.8	
31	12	600.092	WASHER $\phi 12-36$	
32	6	600.077	NUT M12 DIN 980	
33	12	600.006	SCREW M10 x 25 DIN 933 8.8	
34	12	600.024	SPRING WASHER D 10,5	
35	12	600.010	NUT M10 DIN 934	



**sitrex** AGRICULTURAL MACHINERY <sup>®</sup>

Zona Industriale-Viale Grecia, 8  
06018 TRESTINA-(Perugia)-ITALY  
Tel. +39.075.8540021-Telefax +39.075.8540523  
e-mail: sitrex@sitrex.it www.sitrex.com

