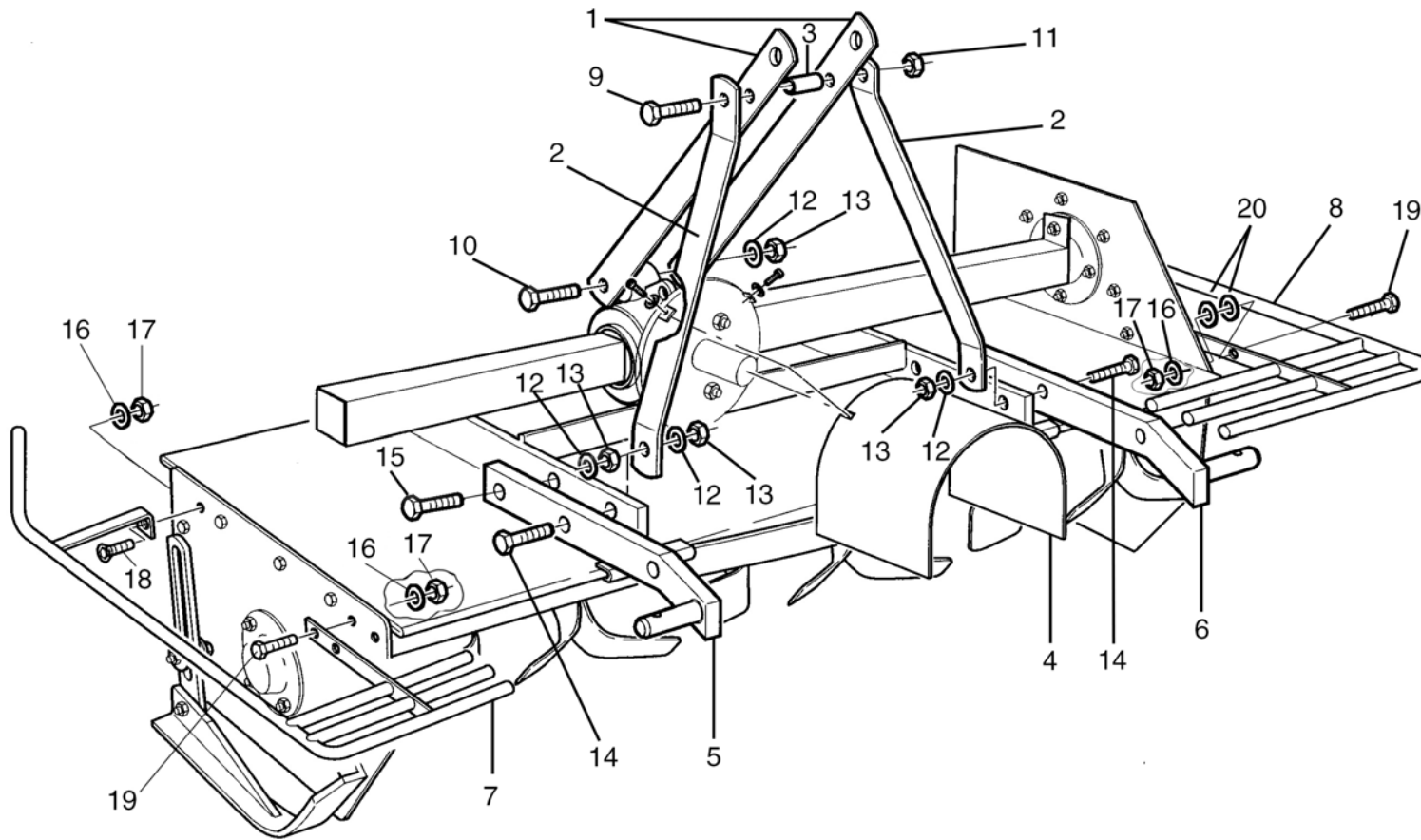


ROTOMECH ROTARY TILLER

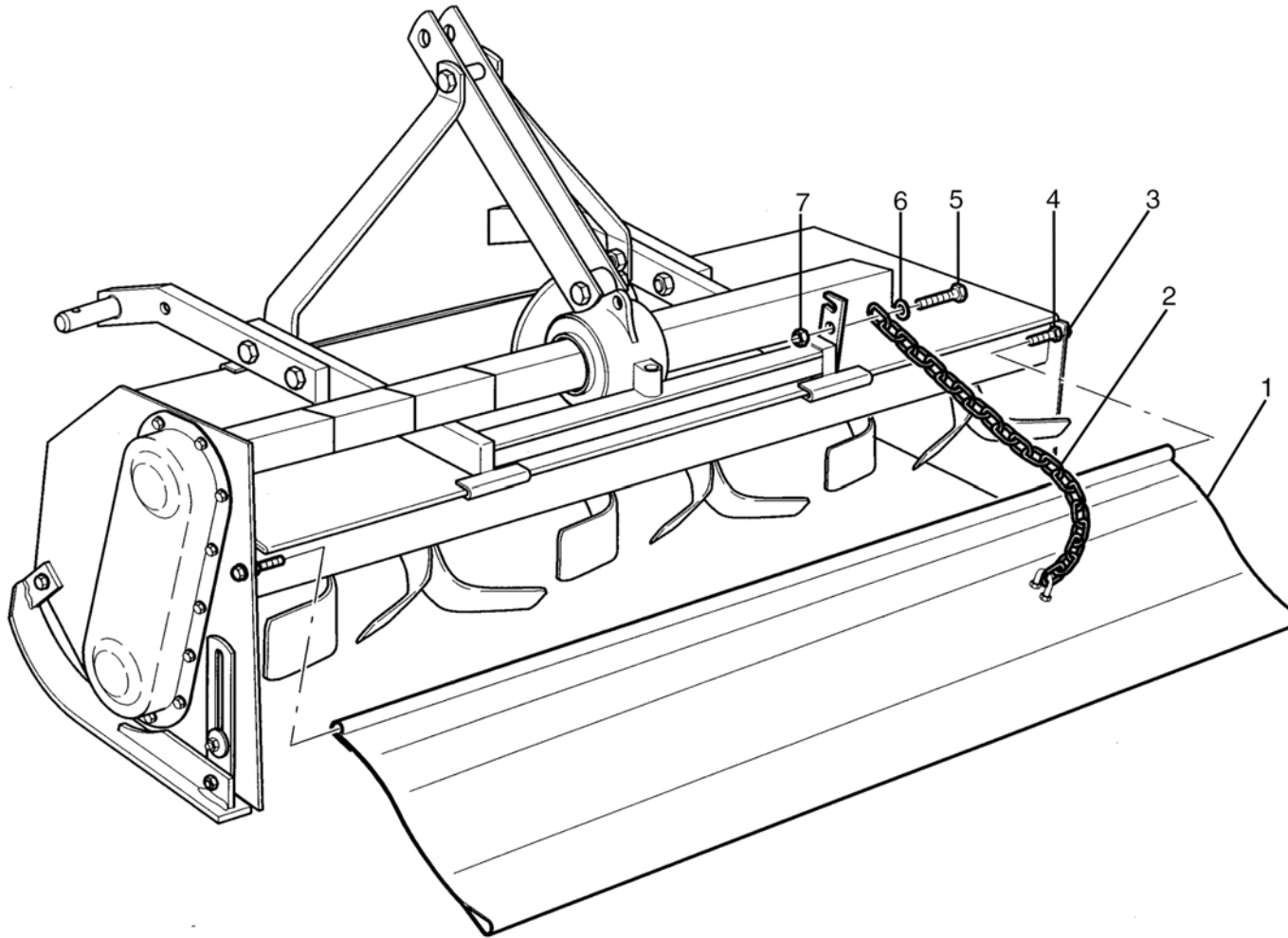
Assembly instruction for the three point hitch and the P.T.O. shield



N.	COD.	DESCRIPTION	Qty.
1	0034272	Top hitch arm	2
2	0034273	Top hitch support	2
3	0021285	Spacer	1
4	0022269	Pto shaft protection	1
5	0134261	Lower right hitch plate	1
6	0234261	Left lower hitch plate	1
7	0122244	Complete right protection	1
8	0222244	Complete left protection	1
9	0034286	Bolt TE 12x100	1
10	0015122	Bolt TE 12x90	1
11	0030064	Nut D.12	1
12	0001077	Washer D.12	5
13	0003038	Nut D.12	5
14	0022279	Bolt TE 12x60	2
15	0030054	Bolt TE 12x50	2
16	0001280	Washer D.10	6
17	0001279	Nut D.10	6
18	0022250	Bolt TSPEI 10x35	2
19	0091281	Bolt TE 10x35	4
20	0002034	Flat washer D.10	2

ROTOMECH ROTARY TILLER

Assembly instruction for the tail gate



N.	COD.	DESCRIPTION	Qty.
1	0330303	Tail gate cm.125	1
	0430303	Tail gate cm.145	1
	0530303	Tail gate cm.165	1
2	0010318	Chain	1
3	0030309	Bolt TE 16x70	2
4	0003124	Nut D.16	2
5	0001278	Bolt TE 10x30	1
6	0030157	Flat washer D.10	1
7	0030156	Nut D.10	1