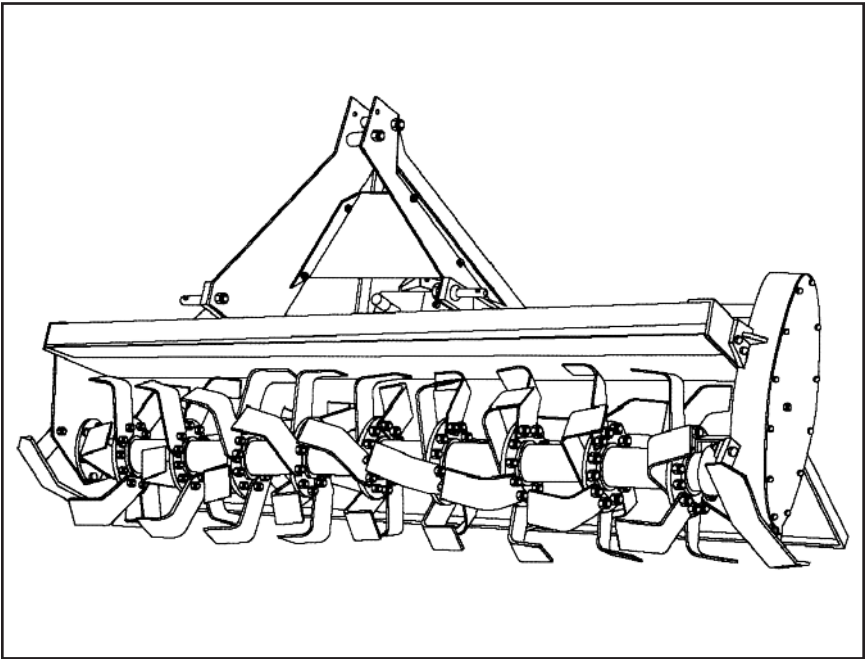


Owner's & Operator's Manual

GR-5800 SERIES ROTARY TILLER



TO THE OWNER: (FOR YOUR RECORDS)

Read this manual before operating your KODIAK Tiller. The information presented will prepare you to do a better and safer job. Keep this manual handy for ready reference. Require all operators to read this manual carefully and become acquainted with all the adjustment and operating procedures before attempting to operate. Replacement manuals can be obtained from your dealer or by calling 423-336-2390 in the USA.

The tiller you have purchased has been carefully engineered and manufactured to provide dependable and satisfactory use. Like all mechanical products, it will require cleaning and upkeep. Lubricate the unit as specified. Observe all safety information in this manual and safety decals on the cutter and tractor.

For service, your authorized Kodiak dealer should have trained mechanics, genuine Kodiak service parts, and the necessary tools and equipment to handle all your needs.

Use only genuine Kodiak service parts. Substitute parts will VOID the warranty and may not meet standards required for safe and satisfactory operation. For your records, fill in the following:

DATE PURCHASED: _____

DEALER: _____

MODEL: _____

SERIAL NUMBER: _____

Provide this information to your dealer to obtain correct repair parts.

CONTENTS

<u>INFORMATION</u>	<u>PAGE</u>
SAFETY	4
BEFORE OPERATING	7
WARNING DECALS	8
PARTS BREAK DOWN	9
WARRANTY	14
REGISTRATION	15

THINK SAFETY! WORK SAFELY!

DANGER

Keep hands and feet clear of tiller while tractor engine is running. Failure to do so could result in serious injury or death from rotating tines or PTO shaft.

WARNING

Always keep the tines and bolts tight. Loose tines can easily pierce a quarter inch steel plate and/or seriously injure personnel.

CAUTION

Before operating the rotary tiller carefully inspect the area on which the rotary tiller will be used. Be sure to remove all objects that might be thrown by the rotating tines. Also, note any gullies, ditches, or rough terrain when you are inspecting the area.

DANGER

Wear personal protective equipment such as, but not limited to, protection for eyes, ears, feet, hands and head when operating or repairing the equipment. Do not wear loose clothing or jewelry that may catch on equipment moving parts.

DANGER

Always disengage and block machine before performing any maintenance work on machine. Failure to do so could result in serious injury.

DANGER WARNING CAUTION

Only the operator should ride on the tractor and no one should ride on the tiller. Persons riding on tractor or tiller could easily fall into the path of the tractor or tiller resulting in serious injury or death.

CAUTION

Disengage the PTO, and turn off the tractor engine before leaving the tractor.

CAUTION

Check drive-line connections to tiller and tractor before operation. Be sure QD locks are operating and locked. Failure to do so could result in drive-line becoming disconnected from the tractor and tiller. Personnel could be struck by fast rotating drive-line resulting in serious injury.

DANGER

Use extreme caution when operating on hillside. Tillers are more likely to throw objects when operating on hillside and tractors can easily tip over if dropped in a hole. Either could result in serious injury to operator.

CAUTION

Always disengage PTO before transporting tiller. Failure to do so could result in persons being struck by loose objects thrown by rotating tines. Thrown objects from rotating tines can strike with killing force.

WARNING

Keep tiller deck clear of debris. There is a risk of fire when dry material accumulates and contacts heat generated from rotating components.

!!!!!!!!!!!! SAFETY AT ALL TIMES !!!!!!!!!!!!!

**REFER TO THE "SAFETY LABEL" SECTION (PAGE 6 & 7).
READ ALL INSTRUCTIONS NOTED ON THEM.**

- OPERATOR SHOULD BE FAMILIAR WITH ALL FUNCTIONS OF THE UNIT.
- OPERATE IMPLEMENT FROM THE DRIVER'S SEAT ONLY.
- DO NOT LEAVE TRACTOR OR IMPLEMENT UNATTENDED WITH ENGINE RUNNING.
- DISMOUNTING FROM A MOVING TRACTOR COULD CAUSE SERIOUS INJURY OR DEATH.
- DO NOT STAND BETWEEN THE TRACTOR AND IMPLEMENT DURING HITCHING.
- KEEP HANDS, FEET, AND CLOTHING AWAY FROM POWER-DRIVEN PARTS.
- WEAR SNUG FITTING CLOTHING TO AVOID ENTANGLEMENT WITH MOVING PART.
- CLEAR THE WORK AREA OR OBJECTS WHICH MIGHT BE PICKED UP AND THROWN BY TILLER.
- WATCH OUT FOR WIRE, TREES, ETC., WHEN RAISING IMPLEMENT. MAKE SURE ALL PERSONS ARE CLEAR OF WORKING AREA.
- TURNING TRACTOR TO TIGHT MAY CAUSE IMPLEMENT TO RIDE UP ON WHEELS. THIS COULD RESULT IN INJURY OR EQUIPMENT DAMAGE.



EQUIPMENT SAFETY GUIDELINES

- Safety of the operator and bystanders is one of the main concerns in designing and developing a tiller. However, every year accidents occur which could have been avoided by a few seconds of thought and a more careful approach to handling equipment. You, the operator, can avoid many accidents by observing the following precautions and insist those working with you, or for you, follow them.
- In order to provide a better view, certain photographs or illustrations in the manual may show an assembly with a safety shield removed. However, equipment should never be operated in this condition. Keep all shields in place. If shield removal becomes necessary for repairs, replace the shield prior to use.
- Replace any safety sign that is not readable or missing. Location of such safety signs are indicated in this manual.
- Never use alcoholic beverages or drugs that can hinder alertness or coordination while operating this equipment. Consult your doctor about operating this machine while taking prescription medications.
- **Under no circumstances should children under the age of 18 be allowed to work with this equipment. Do not allow persons to operate or assemble this unit until they have read this manual and have developed a thorough understanding of this safety precautions and how it works.** Review the safety instructions with all users annually.
- This equipment is dangerous to children and persons unfamiliar with its operation. The operator should be a responsible, properly trained and physically able person familiar with farm machinery and trained in this equipment's operations. If the elderly are assisting with farm work, their physical limitations need to be recognized and accommodated.
- Use a tractor equipped with a Roll-Over Protective System and seat belts. (ROPS)
- Never exceed the limits of a piece of machinery. If its ability to do a job, or to do so safely, is in question — **DON'T TRY IT!**
- Do not modify the equipment in any way. Unauthorized modification could result in serious injury or death and may impair the function and life of the equipment.
- In addition to the design and the confirmation of this implement, including safety signs and safety equipment, hazard control and accident prevention are dependent upon the awareness, concern, prudence, and proper training of personnel involved in the operation, transport, maintenance, and storage of the machine. Refer also to safety messages and operation instruction in each of the appropriate sections of the tractor and tiller manuals. Pay close attention to the safety signs affixed to the tractor and the tiller.

BEFORE OPERATING

1. **MAKE SURE TILLER IS LEVEL** at all times, especially when in operation as this could damage PTO.
2. Remove vent plug on top of gearbox (Figure A)
 - A. Fill with gear oil (90W or 140 W) until approximately half full.
 - B. Screw vent plug back in place.
3. To check and fill oil on side transmission.
 - A. To fill with oil remove top vent plug on transmission. (Figure B)
 - B. Remove fill plug on the side of transmission. (Figure C)
 - C. Fill transmission until the oil starts running out the fill plug hole.
 - D. Screw vent plug and fill plug back in place.
4. All grease fittings must be greased before use.
 - A. Grease the outer hub (Figure D)
 - B. Grease the 2 fittings on the PTO shaft (Figure E & F)
5. Check all bolts and nuts to make sure they are tight.
6. Slipclutch: If clutch is slipping tighten each spring loaded bolt (Figure F) one full turn on each bolt. Repeat until clutch stops slipping for your application.



FIGURE A



FIGURE B



FIGURE C



FIGURE D



FIGURE E



FIGURE F



WARNING

To prevent serious injury or death:

Si no lee inglés, pida ayuda a alguien que si lo lea para que le traduzca las medidas de seguridad.

- Read and understand Operator's Manual before using. Review annually.
- Do not permit riders on the tractor or tiller, including children
- Do not allow children to operate tiller.
- Operate only with guards installed and in good condition.
- Keep away from moving parts.
- Operate only with tractor equipped with ROPS and seatbelts.
- Use extra care when operating on rough terrain or when rocks or debris are present.
- Do not operate in the raised position.
- Stop engine, lower tiller, set brake and wait for all moving parts to stop before dismounting.
- Support mower securely before working beneath unit.
- Transport with clean reflectors, SMV and working lights as required by federal, state, and local laws.
- Keep yourself, others, and clothing away from the rotating PTO.
- Operate only at a safe distance from bystanders.
- Do not stand between tractor and tiller.
- Be careful on uneven terrain. Decrease speed when turning.
- Locate underground utility lines before tiling.
- Do not exceed a safe transport speed.

P/N 5802T



DANGER



ROTATING DRIVELINE HAZARD KEEP AWAY

To prevent serious injury or death from rotating driveline:

- Keep all guards in place when operating.
- Operate only at 540 RPM.
- Keep hands, feet, hair and clothing away from moving parts.
- Do not operate without driveline securely attached at both ends.
- Do not operate without driveline shields that turn freely on driveline.

P/N 5803T



WARNING

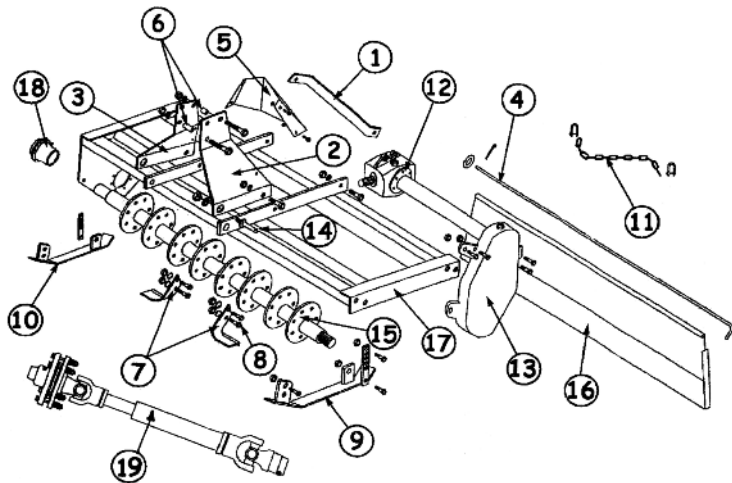


TO PREVENT SERIOUS INJURY OR DEATH

- Keep hands and body out of hitch area when attaching mower to tractor.
- Keep body clear of crush point between tractor and mower.

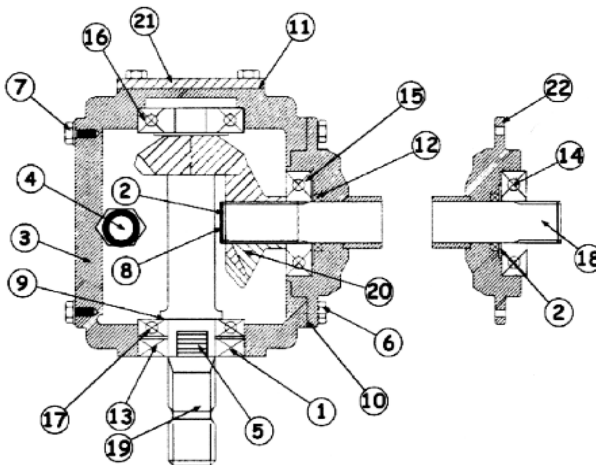
P/N 5801T

GR-5800 SERIES TILLER PARTS DIAGRAM & PARTS LIST



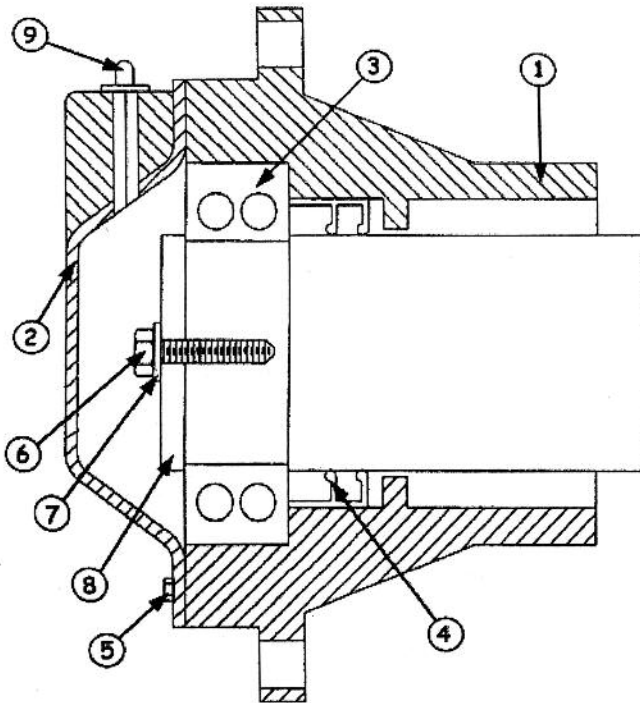
REF NO.	DESCRIPTION	GR-5800-4	GR-5800-5	GR-5800-6
1	LIFT ARM BRACE	T-11	T-11	T-11
2	LEFT LIFT ARM	T-12	T-12	T-12
3	RIGHT LIFT ARM	T-13	T-13	T-13
4	TAIL ROD ASSEMBLY	T-14	T-14	T-14
5	CENTER PIECE KIT	T-15	T-15	T-15
6	LIFT ARM SPACER KIT	T-16	T-16	T-16
7	TINE PKG (1RIGHT & 1 LEFT)	T-17	T-17	T-17
7	TINE PKG. (3RIGHT & 3 LEFT)	T-18	T-18	T-18
7	4' COMPLETE TINE PKG (36 PCS.)	T-1936		
7	5' COMPLETE TINE PKG (42 PCS)		T-1942	
7	6' COMPLETE TINE PKG (54 PCS)			T-1954
8	TINE BOLT PKG. (12 PCS)	T-1912	T-1912	T-1912
8	TINE BOLT PKG (72 PCS)	T-1972		
8	TINE BOLT PKG (84 PCS)		T-1984	
8	TINE BOLT PKG (108 PCS)			T-19108
9	SKID ASSEMBLY LEFT HAND	T-20L	T-20L	T-20L
10	SKID ASSEMBLY RIGHT HAND	T-20R	T-20R	T-20R
11	CHAIN & SHACKLE KIT	T-21	T-21	T-21
12	TOP GEARBOX ASSEMBLY	T-22-4	T-23-5	T-24-6
13	SIDE GEARBOX ASSEMBLY	T-25	T-25	T-25
14	LIFT PINS CAT. I	151-SM	151-SM	151-SM
15	ROTOR ASSEMBLY	T-26-4	T-27-5	T-28-6
16	BACK PLATE ASSEMBLY	T-29-4	T-30-5	T-31-6
17	FRAME ASSEMBLY	T-32-4	T-33-5	T-34-6
18	OUTBOARD HUB ASSEMBLY GR-5800	T-35	T-35	T-35
19	PTO SHAFT (SERIES #4 SC)	T-36	T-36	T-36
20	SUPPORT ASSEMBLY	T-37	T-37	T-37

GR-5800 SERIES TOP GEARBOX & PARTS LIST



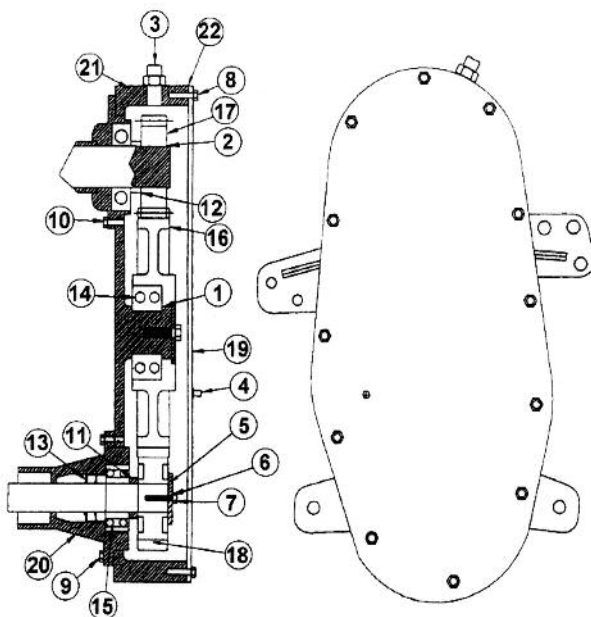
REF NO.	DESCRIPTION	PART NO.
1	RETAING RING 72mm	T-22-72mm
2	RETAING RING 40mm	T-22-40mm
3	HOUSING	T-22-RTA50
4	PRESSURE PLATE PLUG 1/2" 14NPT	T-25-1/2
5	SQ. HD. PLUG 1/4"-18NPT	T-25-1/4
6	BOLT M-10-25 (PKG. 6)	T-25-BM-10-25
7	BOLT M-10-30 (PKG 4)	T-22-BM-10-30
8	SPACER	T-22-S
9	SHIM PACK (PKG. 8)	T-22-SHIM
10	OUTPUT GASKET 0.8mm	T-22-0.8mm
10	OUTPUT GASKET 0.5mm	T-22-0.5mm
11	INPUT GASKET 0.4mm	T-22-0.4mm
11	INPUT GASKET 0.2mm	T-22-0.2mm
12	OUTPUT SEAL DOUBLE LIP	T-22-OSL
13	INPUT SEAL DOUBLE LIP	T-22-ISL
14	SEALED BALL BEARING. 6308	T-22-6308S
15	BALL BEARING BEARING 6308	T-22-6308
16	BALL BEARING BEARING 6307	T-22-6307
17	BALL BEARING BEARING 6207	T-22-6207
18	GR-5800-4' OUTPUT SHAFT 500mm	T-22-OS-500mm
18	GR -5800-5' OUTPUT SHAFT 700mm	T-23-OS-700mm
18	GR-5800-6' OUTPUT SHAFT 900mm	T-24-OS-900mm
19	PINION SHAFT 13 TEETH	T-22-13T
20	OUTPUT GEAR 19 TEETH	T-22-19T
21	CAP BLANK	T-22-BCAP
22	CAP HUB GR-5800 4' 500mm	T-22-4-500mm
22	CAP HUB GR-5800 5' 700mm	T-23-5-700mm
22	CAP HUB GR-5800 6' 900mm	T-24-6-900mm

GR-5800 SERIES OUT-BOARD HUB T-35 & PARTS LIST



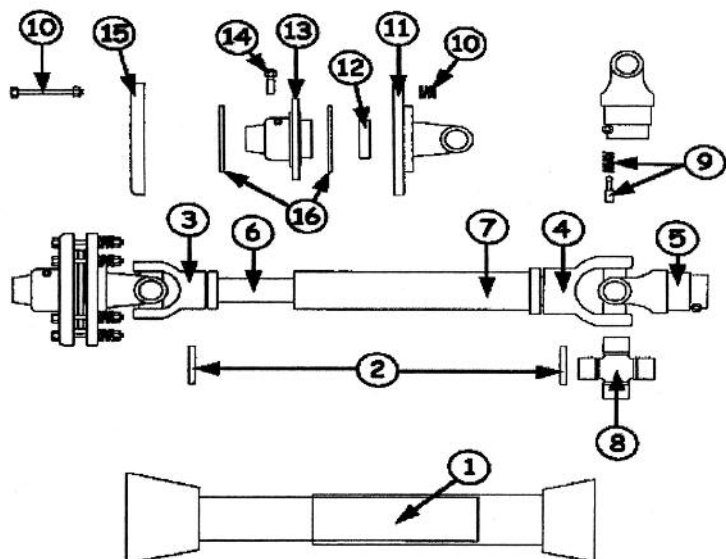
REF NO.	DESCRIPTION	PART NO.
1	HUB HOUSING	T-35-H
2	CAP	T-35-C
3	SELF ALIGNING BALL BEARING (1310)	T-35-1310
4	SEAL DOUBLE LIP (PKG.2)	T-35-S
5	BOLT M-6 X 16	T-35-6-16
6	BOLT M-12 X 25	T-35-12-25
7	LOCK WASHER M-12	T-35-LW
8	WASHER	T-35-W
9	GREASE FITTING 1/4"	T-35-1/4

GR-5800 SERIES GEARBOX T-25 & PARTS LIST



REF NO.	DESCRIPTION	PART NO.
1	RETAING RING 90mm	T-25-90
2	RETAING RING 40mm	T-25-40
3	PRESSURE PLATE PLUG 1/2"-14npt	T-25-1/2
4	SQ. HD. PLUG 1/4"-18npt	T-25-1/4
5	FLAT WASHER (MAIN)	T-25-FW
6	LOCK WASHER M-12	T-25-LW
7	BOLT M-12-25	T-25-BM-12-25
8	BOLT M-8-16 (PKG. 12)	T-25-BM-8-16
9	BOLT M-10-25 (PKG. 6)	T-25-BM-10-25
10	BOLT M-10-20 (PKG. 6)	T-25-BM-10-20
11	OUTPUT SPACER	T-25-OS
12	INPUT SPACER	T-25-IS
13	SEAL DOUBLE LIP (2-PKG)	T-35-S
14	3210 DOUBLE BALL BRG	T-25-3210
15	1310 SELF ALIGNING BALL BRG.	T-35-1310
16	GEAR-34 TEETH	T-25-34T
17	GEAR-16 TEETH	T-25-16T
18	GEAR-28 TEETH	T-25-28T
19	COVER	T-25-C
20	SIDE BOX OUTBOARD HUB HOUSING	T-35-H
21	HOUSING	T-25-H
22	GASKET	T-25-GST

22" PTO T-36 SERIES #4 & PARTS LIST



REF NO.	DESCRIPTION	PART NO.
1	SAFETY SHIELD	T-36-SS
2	ROLL PIN	T-36-RP
3	MALE TUBE END YOKE	T-36-MY
4	FEMALE TUBE END YOKE	T-36-FY
5	TRACTOR END YOKE	T-36-TY
6	INNER TUBE 14 SERIES	T-36-INT
7	OUTER TUBE 14 SERIES	T-36-OT
8	CROSS KIT #4	K-4117
9	QUICK DISCONNECT PIN	K-4124
10	CLUTCH SPRING w COMPRESSION BOLTS & NUTS KIT	T-36-SK
11	FLANGE YOKE FOR SLIP CLUTCH	T-36-CFY
12	BUSHING	T-36-B
13	FRICTION HUB	T-36-FH
14	10 x 70 BOLT	T-36-BK
15	PRESSURE PLATE (OUTER)	T-36-PP
16	FRICTION DISC FOR SLIP CLUTCH	K-5144

FARM EQUIPMENT LIMITED WARRANTY

KODIAK MFG, INC., hereby warrants to the original Purchaser that each item of new farm equipment shall be free from defects in material and workmanship under normal use and service for a period of twelve (12) months after delivery of the product to the original Purchaser and 90 days for Commercial use.

The obligation of KODIAK MFG, INC., is hereby expressly limited to the repair and/or replacement of defects in workmanship or materials, which occur during the warranty period. This warranty does not cover damages or defects which result from alteration, accident, misuse, abuse, neglect, improper maintenance or installation of attachments or equipment, or the use of any part or component not manufactured or provided with the product of KODIAK MFG, INC.

Expendable replacement items such as blades, clutch facings, points, cross and bearings, etc., used in connection with normal service maintenance, are not covered by this warranty. Charges for pickup, delivery and/or shipment are also not covered by this warranty.

THIS WARRANTY AND THE OBLIGATION OF KODIAK MFG, INC., AS DESCRIBED HEREIN, IS IN LIEU OF ALL OTHER WARRANTIES, EXPRESS OR IMPLIED, INCLUDING WITHOUT LIMITATION, THE IMPLIED WARRANTIES OR MERCHANTABILITY AND FITNESS FOR A PARTICULAR PURPOSE, AND IN NO EVENT WILL KODIAK MFG, INC., BE LIABLE FOR CONSEQUENTIAL DAMAGES, INCLUDING, BUT NOT LIMITED TO, LOSS OF CROPS, LOSS OF PROFITS, RENTAL OR SUBSTITUTE EQUIPMENT OR ANY OTHER COMMERCIAL LOSS.

If a problem develops with the product during the warranty period, contact the KODIAK MFG, INC., dealer from whom you purchased this product.

Warranty claims are completely at the discretion of KODIAK MFG, INC. Any work performed on mowers prior to notification to KODIAK Warranty Department will be VOID of warranty.

REGISTRATION

THE FOLLOWING REGISTRATION FORM MUST BE ON FILE AT KODIAK MFG, INC., 8849 CANDIES CREEK RIDGE ROAD, CHARLESTON, TN 37310, WITHIN 30 DAYS OF DELIVERY TO USER OR WARRANTY CLAIM WILL NOT BE HONORED.

MODEL: _____

SERIAL NUMBER: _____

DATE DELIVERED: _____

NAME OF OWNER: _____

ADDRESS: _____

CITY _____ STATE _____ ZIP _____

NAME OF SELLING DEALER: _____

CITY _____ STATE _____ ZIP _____

I have read all warranties and agree with these conditions.

OWNER'S SIGNATURE: _____

Fill out this form and mail it to:

KODIAK MFG, INC.
8849 Candies Creek Ridge Road
Charleston, Tennessee 37310