

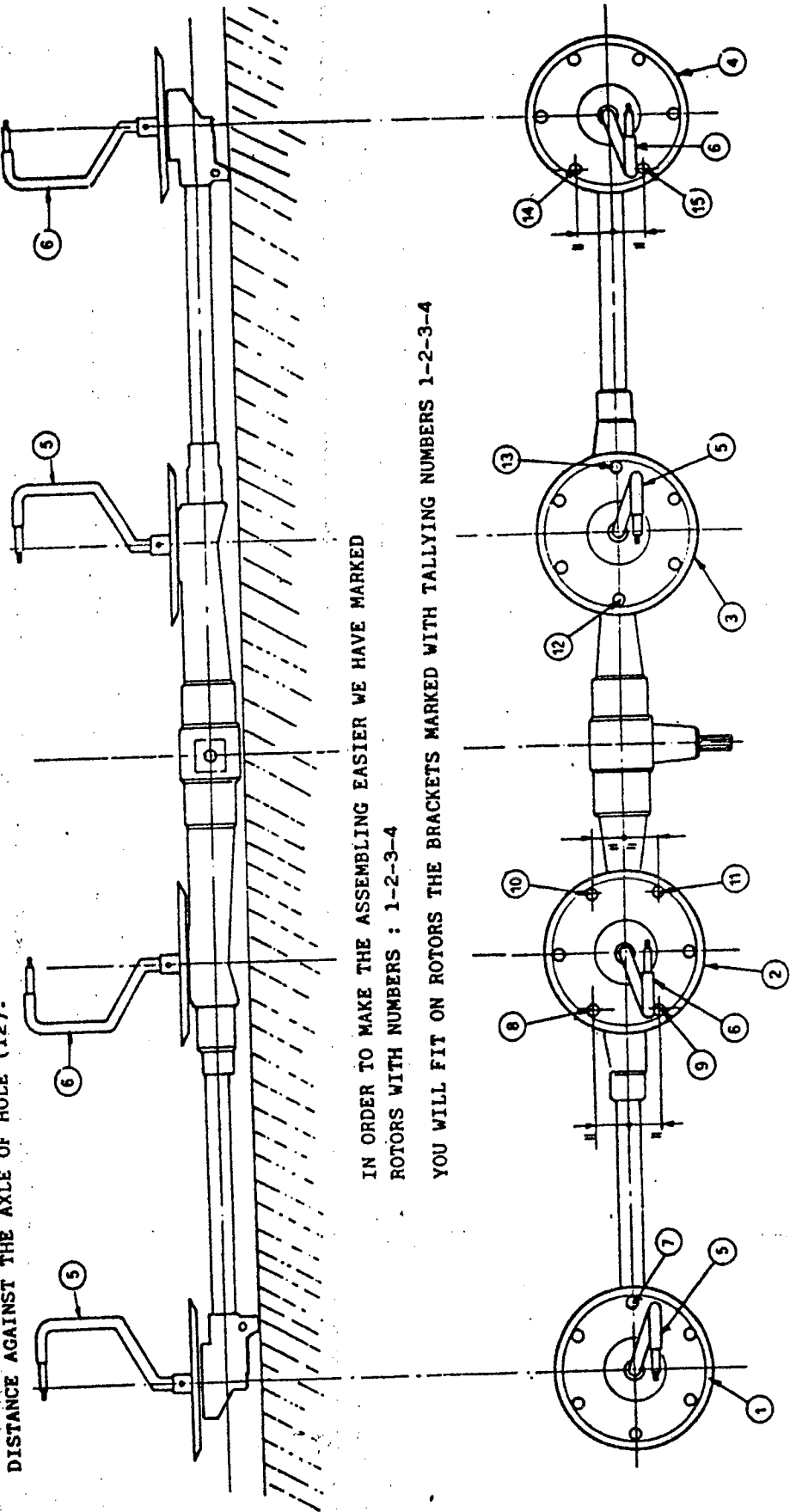
SPARE PARTS LIST

2G-252 2GL-302 4G-384 5G-520

ROTARY TEDDER

**ASSEMBLY INSTRUCTIONS OF TIRE SUPPORTS (5-6) TO FIT
ST384 AND ST520 TEDDERS**

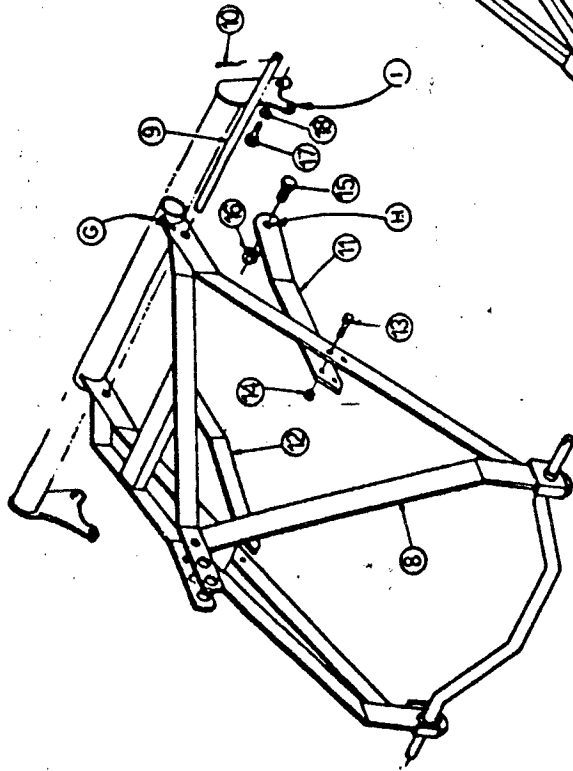
- 1) TURN THE MACHINE UPSIDE DOWN AS PER DRAWING.
- 3) POSITION HOLE (12) OF DISC (3) AS PER DRAWING, WITH HOLES (10-11) OF DISC (2) AT THE SAME DISTANCE AGAINST THE AXLE OF HOLE (12).
- 4) POSITION HOLE (7) OF DISC (1) AS PER DRAWING, WITH HOLES (8-9) OF DISC (2) AT THE SAME DISTANCE AGAINST THE AXLE OF HOLE (7).
- 5) POSITION HOLES (14-15) OF DISC (4) TO GET THEM AT THE SAME DISTANCE AGAINST THE AXLE OF HOLE (13).
- 6) NEXT, LOCK SUPPORTS (5-6) (AS PER DRAWING) BY USING THE SPRING PINS PRE-FITTED INTO THEIR SEATS.



IN ORDER TO MAKE THE ASSEMBLING EASIER WE HAVE MARKED ROTORS WITH NUMBERS : 1-2-3-4

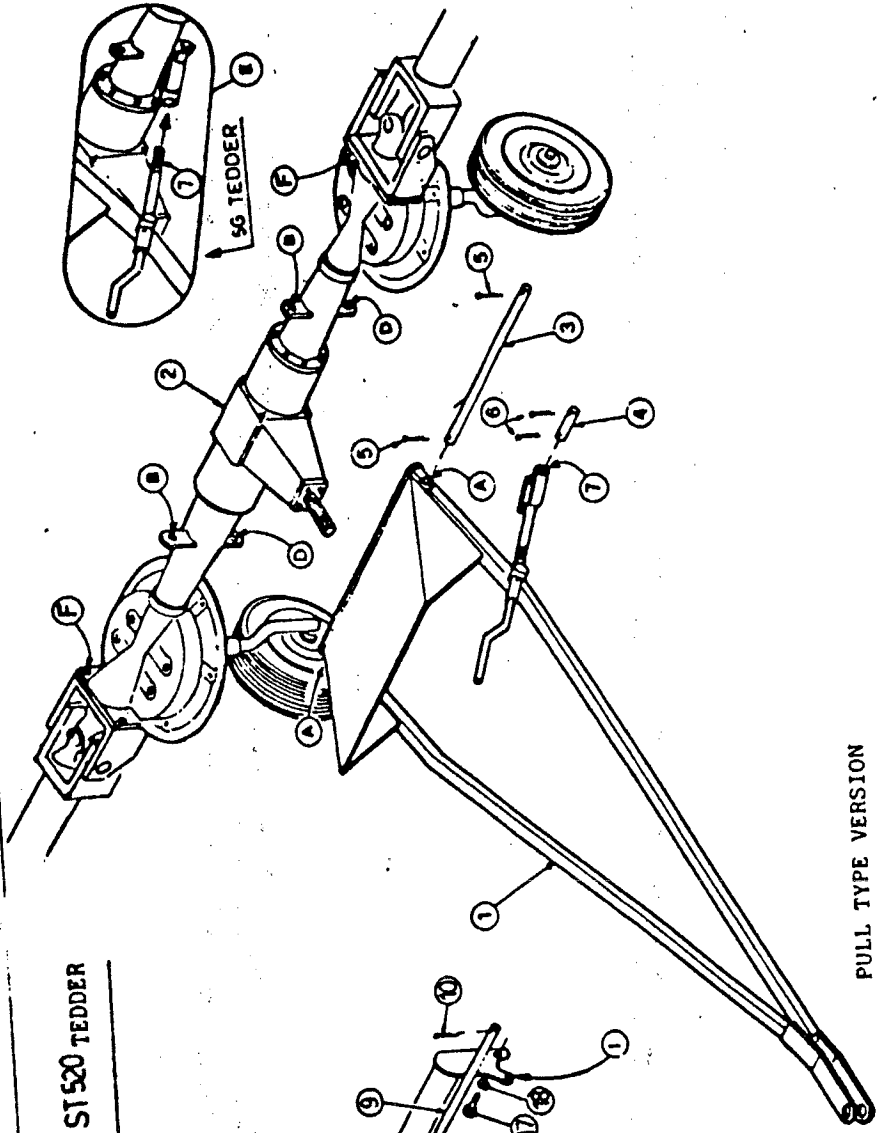
YOU WILL FIT ON ROTORS THE BRACKETS MARKED WITH TALLYING NUMBERS 1-2-3-4

BAR ASSEMBLING ON 2G - 2GL ST384 AND ST520 TEDDER



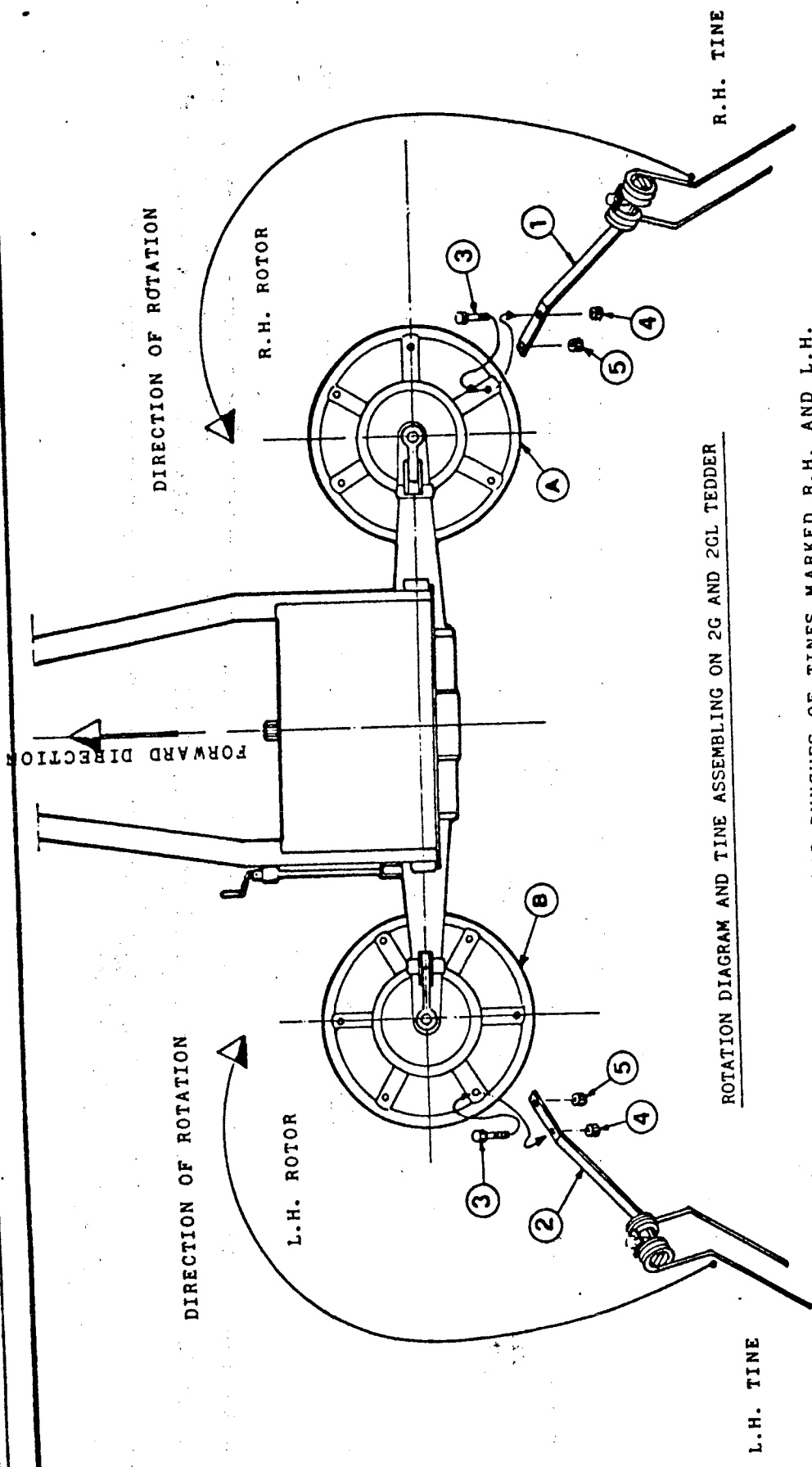
3 PT. HITCH VERSION

- 1) CONNECT THE 3 PT. HITCH (8) TO THE FRAME (2) BY INSERTING THE PIN (9) INTO HOUSINGS (B) (H) AND FIX BY MEANS OF SPLIT PINS (10).
- 2) CONNECT TIE-RODS (11-12) TO THE 3 PT. HITCH (8) BY MEANS OF SCREWS (13-14).
- 3) CONNECT TIE-RODS (11-12) TO THE FRAME (2) BY INSERTING THE SCREWS (15) INTO HOUSINGS (H - D) AND LOCK WITH NUTS (16).
- 4) ST384 ST520 VERSIONS. LOCK 3 PT. HITCH (8) BY INSERTING SCREWS (17) (18) INTO HOUSINGS (I - F)



PULL TYPE VERSION

- 1) ATTACH BAR (1) TO FRAME (2) BY FITTING PIN (3) INTO SEATS (A) AND (B) NEXT, LOCK PIN (3) WITH SPLIT PINS (5).
- 2) CONNECT TIE-ROD (7) WITH THE FRAME BY FITTING PIN (4) INTO SEATS (C) AND (D). NEXT LOCK PIN (4) WITH SPLIT PINS (6).
- 3) IN ORDER TO ASSEMBLE TIEROD (7) ST 520 TEDDER, SEE ALSO DWG. E



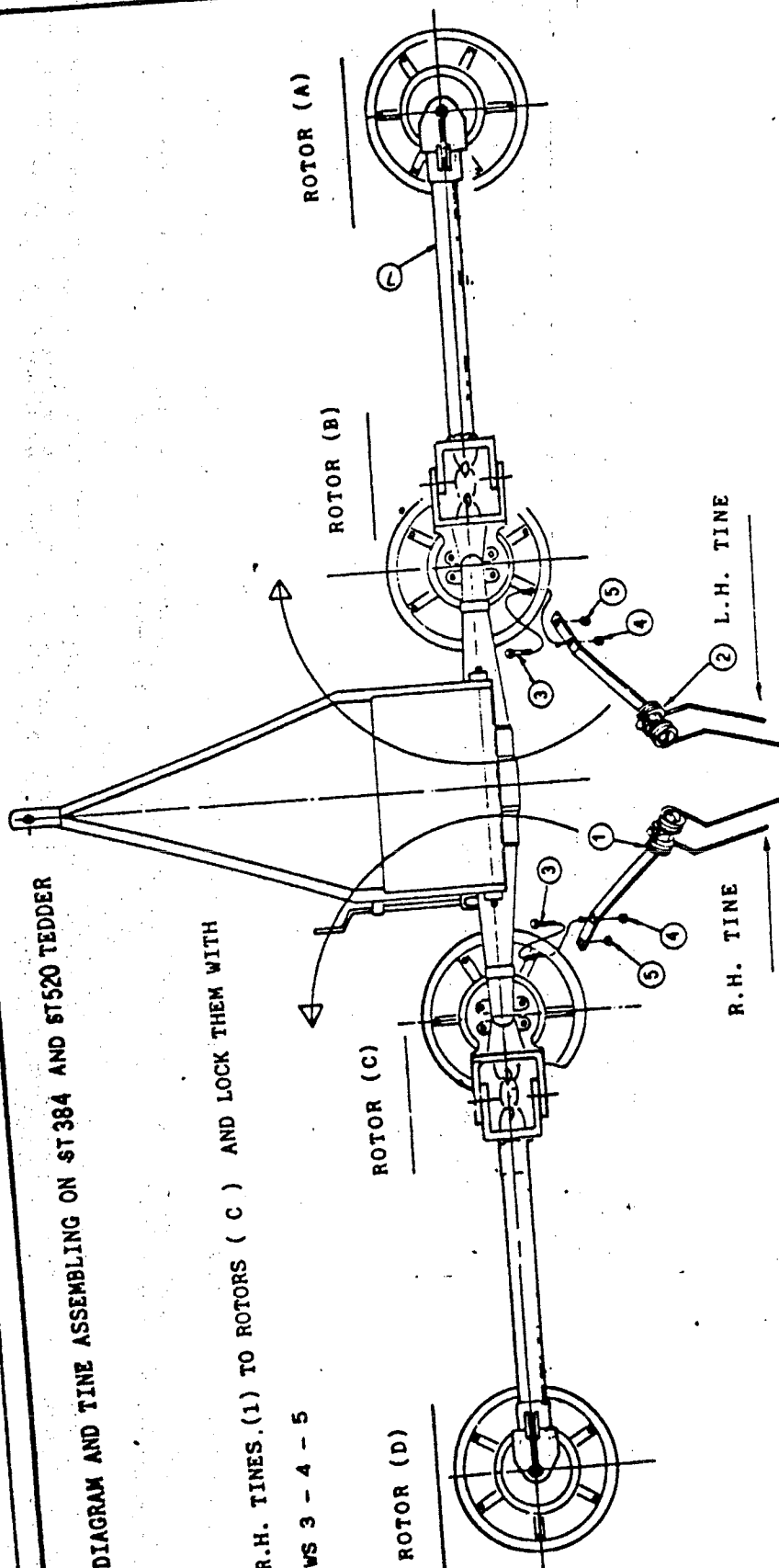
ROTATION DIAGRAM AND TINE ASSEMBLING ON 2G AND 2GL TEDDER

IMPORTANT: YOU WILL GET TWO BUNCHES OF TINES MARKED R.H. AND L.H. YOU SHOULD FIT THE TINES ACCORDING TO THE ABOVE DIAGRAM AND INSTRUCTIONS AS FOLLOWS:

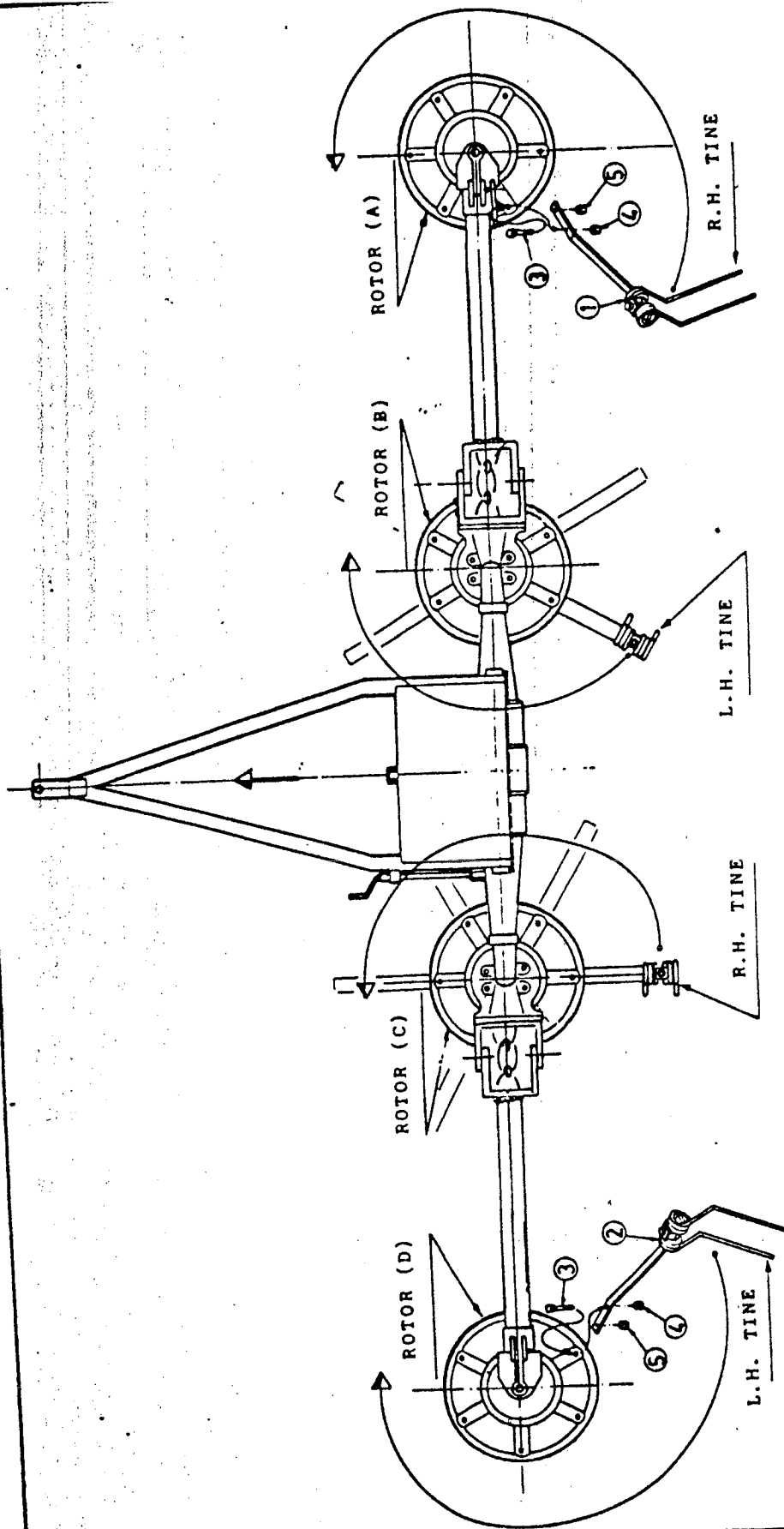
- 1) FIT R.H. TINE (1) TO R.H. ROTOR AND LOCK THEM WITH SCREWS 3-4-5
- 2) FIT L.H. TINE (2) TO L.H. ROTOR AND LOCK THEM WITH SCREWS 3-4-5
- 3) FIT NUTS (5) TO SCREWS UNDER THE ROTORS (A) AND (B)

ROTATION DIAGRAM AND TINE ASSEMBLING ON ST 384 AND ST520 TEDDER

2) FIT R.H. TINES (1) TO ROTORS (C) AND LOCK THEM WITH SCREWS 3 - 4 - 5

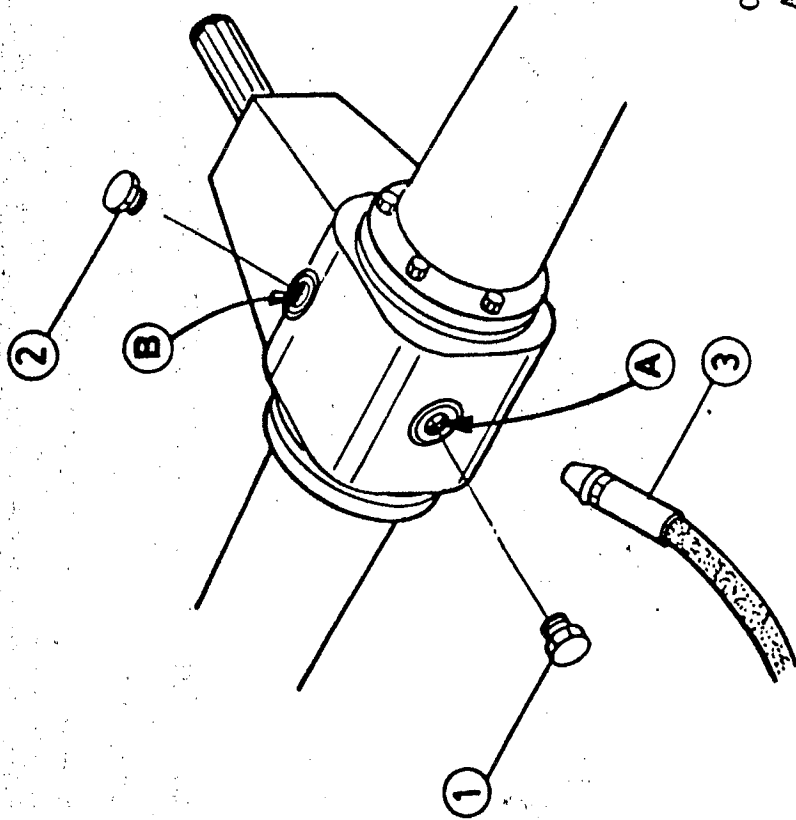


- 3) FIT L.H. TINES (2) TO ROTORS (B) AND LOCK THEM WITH SCREWS 3 - 4 - 5
- 4) FIT NUTS (5) TO SCREWS UNDER THE ROTORS B - C
- 5) SEE FOLLOWING PAGE FOR TINES ASSEMBLING ON LATERAL ROTORS A - D



CONTD.FROM PREVIOUS PAGE
 ROTATION DIAGRAM AND TINE ASSEMBLING ON SI 384 AND ST 520 TEDDER

- 7) FIT R.H. TINES (1) TO ROTORS A AND LOCK THEM WITH SCREWS 3-4-5
- 8) FIT L.H. TINES (2) TO ROTORS D AND LOCK THEM WITH SCREWS 3-4-5
- 9) FIT NUTS (5) TO SCREWS UNDER THE ROTORS (A) (D)



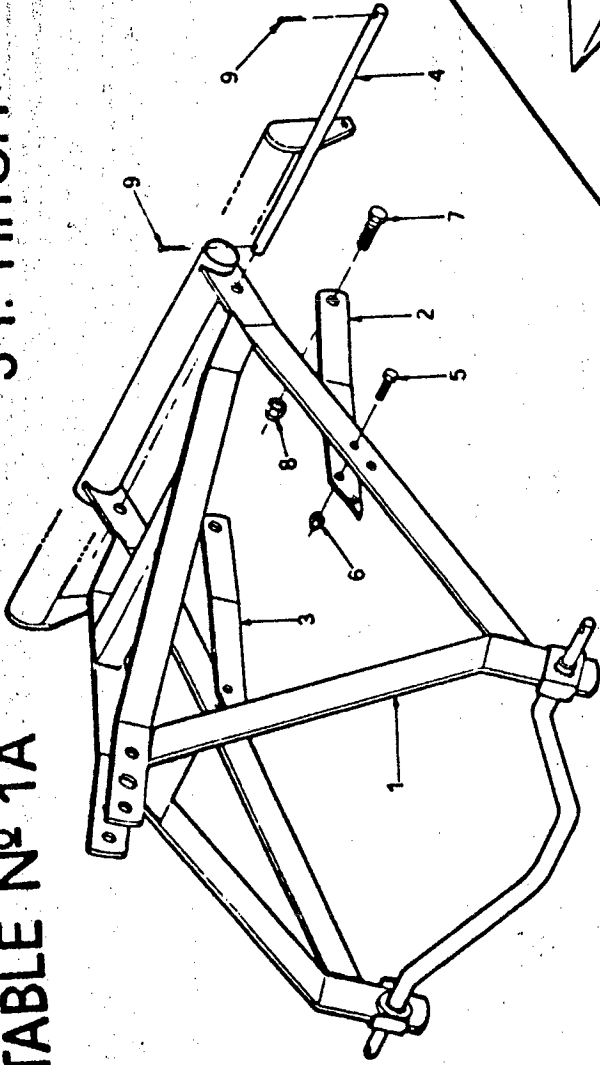
CENTER MAIN GEARBOX SHOULD BE LUBRICATE
AFTER 50 WORKING HOURS.

HOW TO LUBRICATE:

REMOVE PLUGS (1-2), THEN INJECT GREASE INTO
HOLE (A) BY USING NIPPLE (3) FITTED TO A
PUMP, UNTIL GREASE COMES OUT UPPER HOLE (B).
A COMPLETE LUBRICATION REQUIRES 2 LBS OF
GREASE. AFTER LUBRICATION YOU SHOULD RE-
TIGHTEN PLUGS (1-2). USE GREASE TYPE DANKE
BEARING 2 (EQUIVALENT TO SUPER GREASE SHELL
GBX - ESSO BEACON EP1).

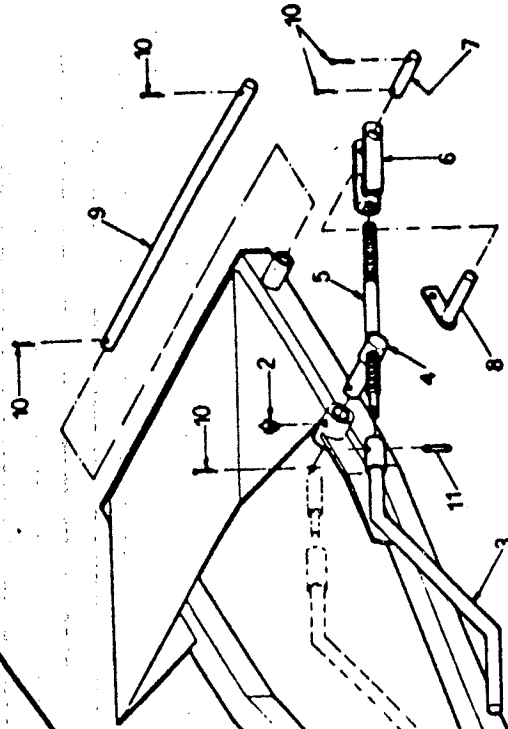
3-P. HITCH

TABLE № 1A



2G-2GL
4G-5G

2G-2GL
4G-5G



PULL TYPE

TABLE № 1B

2G 2GL 4G 5G TEDDERS - SPARE PARTS LIST

TABLE N^o 1A

Item	Qty	Part no 2G	Part no 2GL	Part no 4G	Part no 5G	Descripti
1	1	200.421	200.421	200.422	200.423	3RD POINT
2	1	200.424	200.424	200.425	200.426	L.H. TIE-
3	1	200.427	200.427	200.428	200.429	R.H. TIE-
4	1	200.430	200.430	200.430	200.431	PIN
5	4	600.443	600.443	600.443	600.443	SCREW
6	4	600.077	600.077	600.077	600.077	NUT
7	2	600.578	600.578	600.578	600.578	SCREW
8	2	600.240	600.240	600.240	600.240	NUT
9	2	600.112	600.112	600.112	600.112	SPLIT PIN

TABLE N^o 1B

Item	Qty	Part no 2G	Part no 2GL	Part no 4G	Part no 5G	Descripti
1	1	200.435	200.435.	200.682/a	200.436/b	DRAWBAR
2	1	600.124	600.124	600.124	600.124	GREASE N
3	1	200.438	200.438	200.438	200.438	HANDLE
4	1	200.439	200.439	200.768	200.768	PIN
5	1	200.440	200.440	200.766	200.766	TIE-ROD
6	1	200.441	200.441	200.769	200.769	FORK
7	1	200.442	200.442	200.442	200.442	PIN
8	1	200.444	200.444	200.443	200.443	PIN
9	1	600.112	600.112	200.767	200.445	PIN
10	5	600.580	600.112	600.112	600.112	SPLIT PI
11	1	600.580	600.580	600.580	600.580	PIN
12	1	600.545	600.545	600.545	600.545	SPLIT PIN

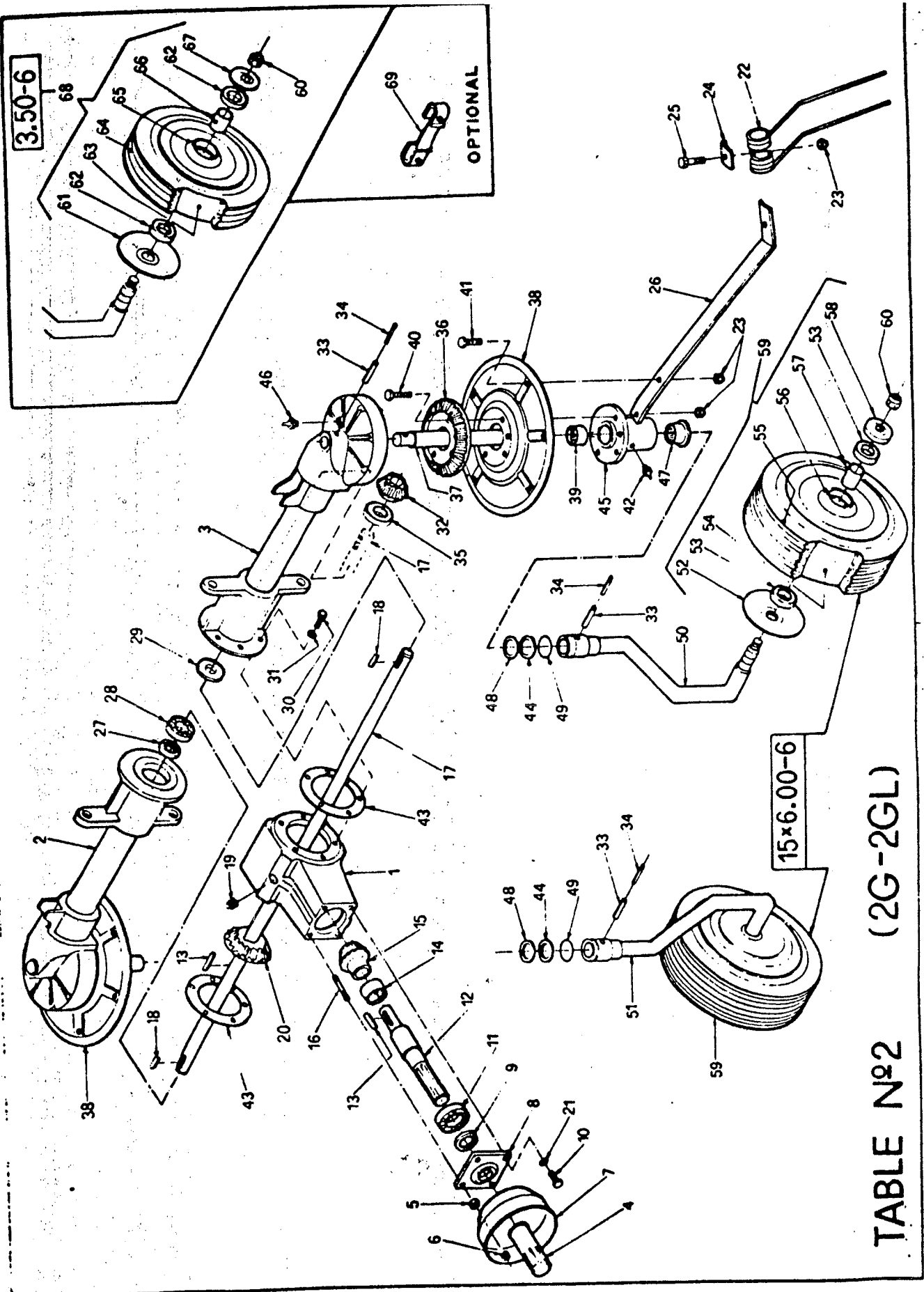


TABLE №2 (2G-2GL)

TABLE No 2

Item	Qty	Part no. 20	Part no. 200	Description
1	1	200.390	200.390	GEARBOX
2	1	200.391	200.392	L.H. ROTOR AXLE
3	1	200.393	200.394	R.H. ROTOR AXLE
4	1	600.172	600.172	SHAFT GUARD
5	2	600.552	600.552	NUT
6	2	600.037	600.037	NUT
7	1	600.681	600.681	HOOD
8	1	200.395	200.395	GEARBOX LOCK PLATE
9	1	600.555	600.555	OIL RETAINER
10	2	600.222	600.222	SCREW
11	1	600.327	600.327	BEARING
12	1	200.396	200.396	SHAFT
13	2	600.556	600.556	TAB
14	1	600.557	600.557	BEARING
15	1	200.397	200.397	PINION
16	2	600.558	600.558	BOLT
17	1	200.398	200.399	DRIVE SHAFT
18	2	600.559	600.559	TAB
19	2	600.560	600.560	OIL CAP
20	1	200.400	200.400	CROWN
21	2	600.228	600.228	WASHER
22	12	200.401	200.401	TINE
23	36	600.077	600.077	NUT
24	12	200.402	200.402	PLATE
25	12	600.688	600.688	SCREW
26	12	200.403	200.404	TINE AFM
27	1	600.582	600.582	OIL RETAINER
28	1	600.579	600.579	BEARING
29	1	600.561	600.561	OIL RETAINER
30	12	600.615	600.615	SCREW
31	12	600.633	600.633	WASHER
32	2	200.464	200.420	PINION
33	4	600.541	600.541	SPRING PIN
34	4	600.562	600.562	SPRING PIN
35	2	600.609	600.609	BEARING
36	2	200.470	200.406	CROWN
37	2	200.407	200.407	ROTOR SHAFT
38	2	200.408	200.409	TINE DISC
39	2	600.563	600.563	BEARING
40	12	600.564	600.564	SCREW
41	12	600.616	600.616	SCREW
42	2	600.247	600.247	GREASE NIPPLE
43	2	200.405	200.405	GASKET
44	2	200.475	200.475	SHIM
45	2	200.410/A	200.410/A	HUB
46	2	600.247	600.247	GREASE NIPPLE
47	2	600.567	600.567	BEARING
48	2	200.411	200.411	SHIM
49	2	600.568	600.568	GASKET
50	1	200.412	200.412	L.H. TIRE, SUPPORT
51	1	200.413	200.413	R.H. TIRE, SUPPORT
52	2	200.414	200.414	INSIDE DUST COVER
53	4	600.602	600.602	BEARING
54	2	600.569	600.569	TUBE
55	2	600.570	600.570	TIRE
56	2	600.571	600.571	RIM
57	2	200.415	200.415	SPACER
58	2	200.416	200.416	OUTER DUST COVER
59	2	600.572	600.572	TIRE ASSY
60	2	600.080	600.080	NUT
61	2	200.414	200.414	INSIDE DUST COVER
62	4	600.602	600.602	BEARING
63	2	600.574	600.574	TUBE
64	2	600.575	600.575	TIRE
65	2	600.661	600.661	RIM
66	2	200.415	200.415	SPACER
67	2	200.416	200.416	OUTER DUST COVER
68	2	600.577	600.577	TIRE ASSY
69	12	200.640	200.640	TIRE LOCK (OPTIONAL)

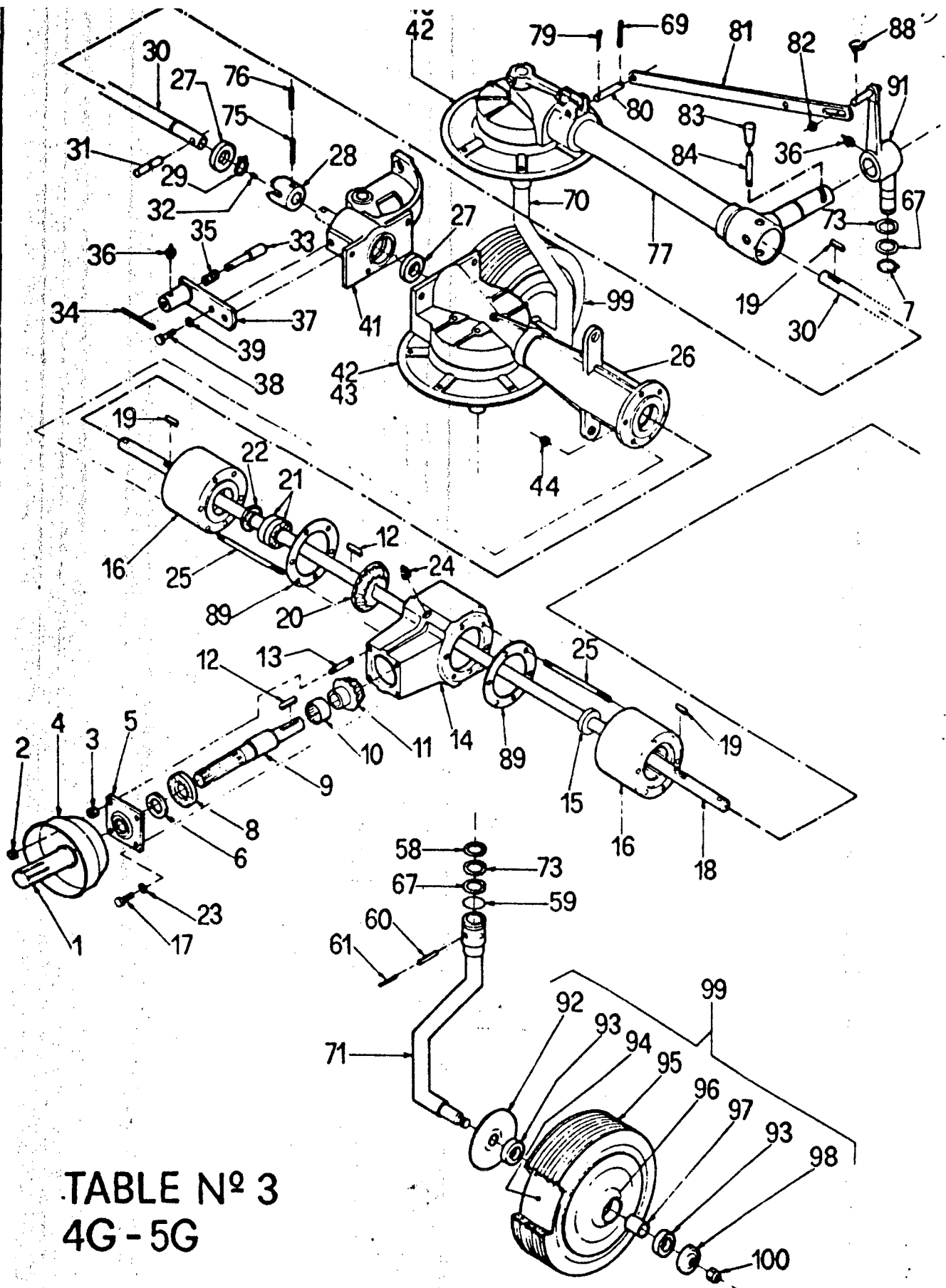
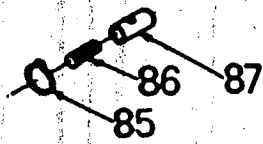


TABLE N^o 3
4G-5G



OPTIONAL

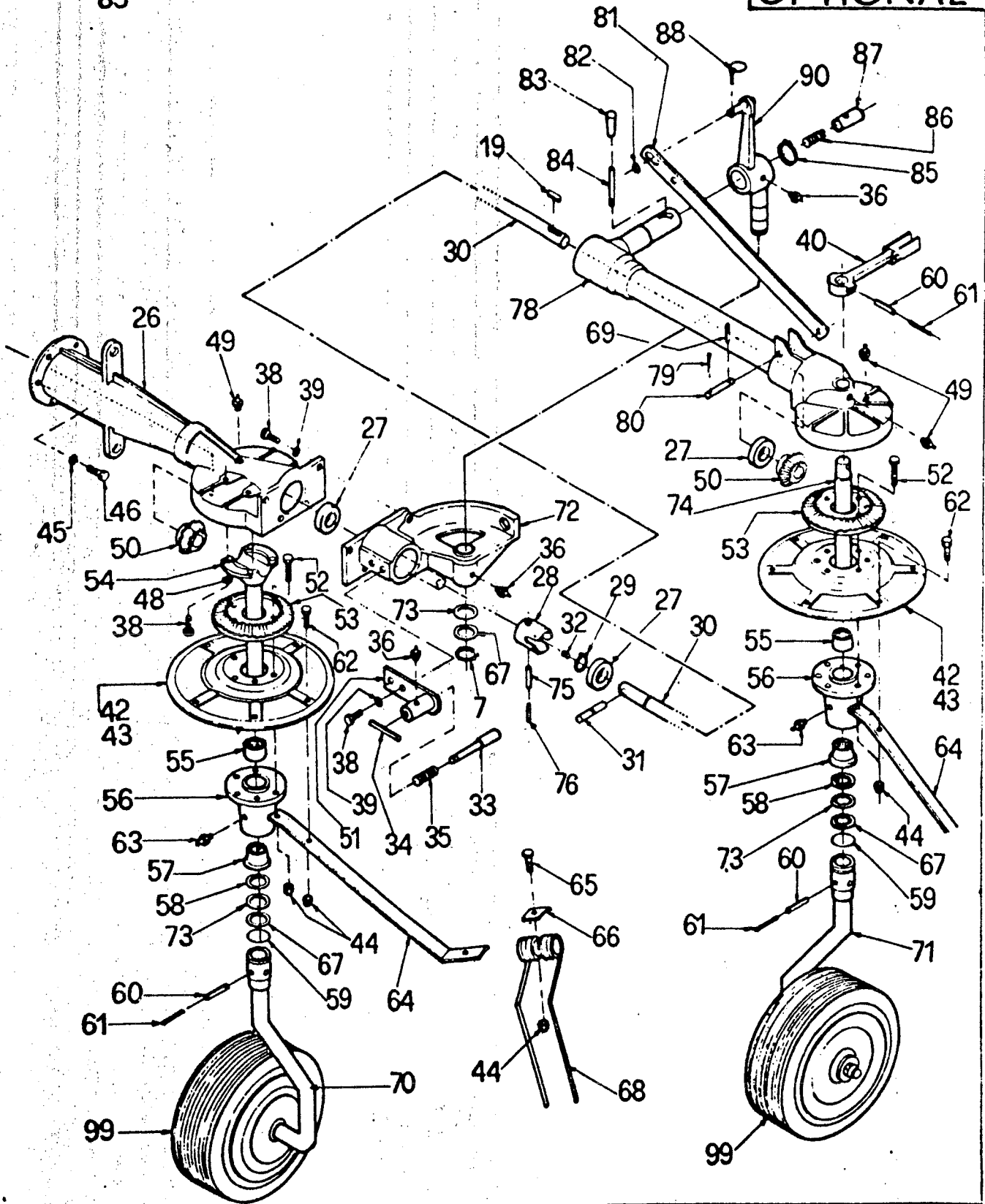


TABLE Nº 3

4G / 5G TEDDERS - SPARE PARTS LIST

Item	Part no 4G	Qty	Part no 5G	Qty	Description
1	600.172	1	600.172	1	SHAFT GUARD
2	600.037	2	600.037	2	NUT
3	600.552	2	600.552	2	NUT
4	600.681	1	600.681	1	HOOD
5	200.395	1	200.395	1	GEARBOX CAP
6	600.555	1	600.555	1	OIL RETAINER
7	600.333	2	600.333	2	SNAP RING
8	600.327	1	600.327	1	BEARING
9	200.396	1	200.396	1	SHAFT
10	600.557	1	600.557	1	BEARING
11	200.397	1	200.397	1	PINION
12	600.556	2	600.556	2	TAP
13	600.558	2	600.558	2	BOLT
14	200.390	1	200.390	1	GEARBOX
15	600.561	1	600.561	1	OIL RETAINER
16	—	—	200.446	2	EXTENSION
17	600.222	2	600.222	2	SCREW
18	200.448	1	200.450	1	DRIVE SHAFT
19	600.559	4	600.559	4	TAP
20	200.400	1	200.400	1	CROWN
21	600.579	1	600.579	2	BEARING
22	600.582	1	600.582	1	OIL RETAINER
23	600.228	2	600.228	2	SPRING WASHER
24	600.560	2	600.560	2	CAP
25	—	—	200.451	12	BOLT
26	200.452	2	200.452	2	ROTOR AXLE
27	600.609	6	600.609	6	BEARING
28	200.455	2	200.455	2	FORK
29	600.611	2	600.611	2	SNAP RING
30	200.456	2	200.458	2	LATERAL SHAFT
31	200.459	2	200.459	2	PIN
32	600.583	78	600.583	2	SCREW
33	200.460	2	200.460	2	PIN
34	600.446	2	600.446	2	SPRING PIN
35	200.461	2	200.461	2	SPRING
36	600.124	6	600.124	6	GREASE NIPPLE
37	200.462	1	200.462	1	LOCK SUPPORT
38	600.004	20	600.004	20	SCREW
39	600.633	12	600.633	12	WASHER
40	200.453	2	200.453	2	LEVER ASSY
41	200.463	1	200.463	1	R.H. HINGE
42	—	—	200.408	4	TINE DISC
43	200.466	4	—	—	TINE DISC
44	600.077	72	600.077	84	NUT

TABLE Nº3 Cont. FROM 1ST PAGE - 4G / 5G TEDDERS - SPARE PARTS LIST

Item	Part no 4G	Qty	Part no 5G	Qty	Description
45	600.633	12	—	—	WASHER
46	600.615	12	—	—	SCREW
47	200.640	24	200.640	24	TINE LOCK (OPTIONAL)
48	600.049	2	600.049	2	WASHER
49	600.247	6	600.247	6	GREASE NIPPLE
50	200.464	4	200.464	4	PINION
51	200.465	1	200.465	1	LOCK SUPPORT
52	600.564	24	600.564	24	SCREW
53	200.627	4	200.470	4	CROWN
54	200.471	2	200.471	2	PIN
55	600.563	4	600.563	4	BEARING
56	200.472	4	200.410	4	HUB
57	600.567	4	600.567	4	BEARING
58	200.411	4	200.411	4	SHIM
59	600.568	4	600.568	4	GASKET
60	600.541	4	600.541	4	SPRING PIN
61	600.562	4	600.562	4	SPRING PIN
62	600.616	16	600.616	24	SCREW
63	600.247	4	600.247	4	GREASE NIPPLE
64	200.473	16	200.403	24	TINE ARM
65	600.688	16	600.688	24	SCREW
66	200.402	16	200.402	24	PLATE
67	200.490	8	200.490	8	SHIM
68	200.401	16	200.401	24	TINE
69	600.182	2	600.182	2	PIN
70	200.413	2	200.413	2	R.H. TINE SUPPORT
71	200.412	2	200.412	2	L.H. TINE SUPPORT
72	200.474	1	200.474	1	L.H. HINGE
73	200.475	12	200.475	12	SHIM
74	200.476	2	200.476	2	PIN
75	600.586	2	600.586	2	SPRING PIN
76	600.444	2	600.444	2	SPRING PIN
77	200.477	1	200.479	1	R.H. SIDE AXLE
78	200.480	1	200.482	1	L.H. SIDE AXLE
79	600.111	4	600.111	4	SPLIT PIN
80	200.483	2	200.483	2	PIN
81	200.484	2	200.486	2	TIE-ROD
82	600.089	2	600.089	2	WASHER
83	600.581	2	600.581	2	HANDLE
84	200.487	2	200.487	2	LEVER
85	600.588	2	600.588	2	SNAP RING
86	200.488	2	200.488	2	SPRING
87	200.489	2	200.489	2	BUSHING
88	600.723	16	600.723	2	PIN
89	200.405	2	200.405	2	GASKET
90	200.491	1	200.491	1	L.H. PIVOT
91	200.492	1	200.492	1	R.H. PIVOT

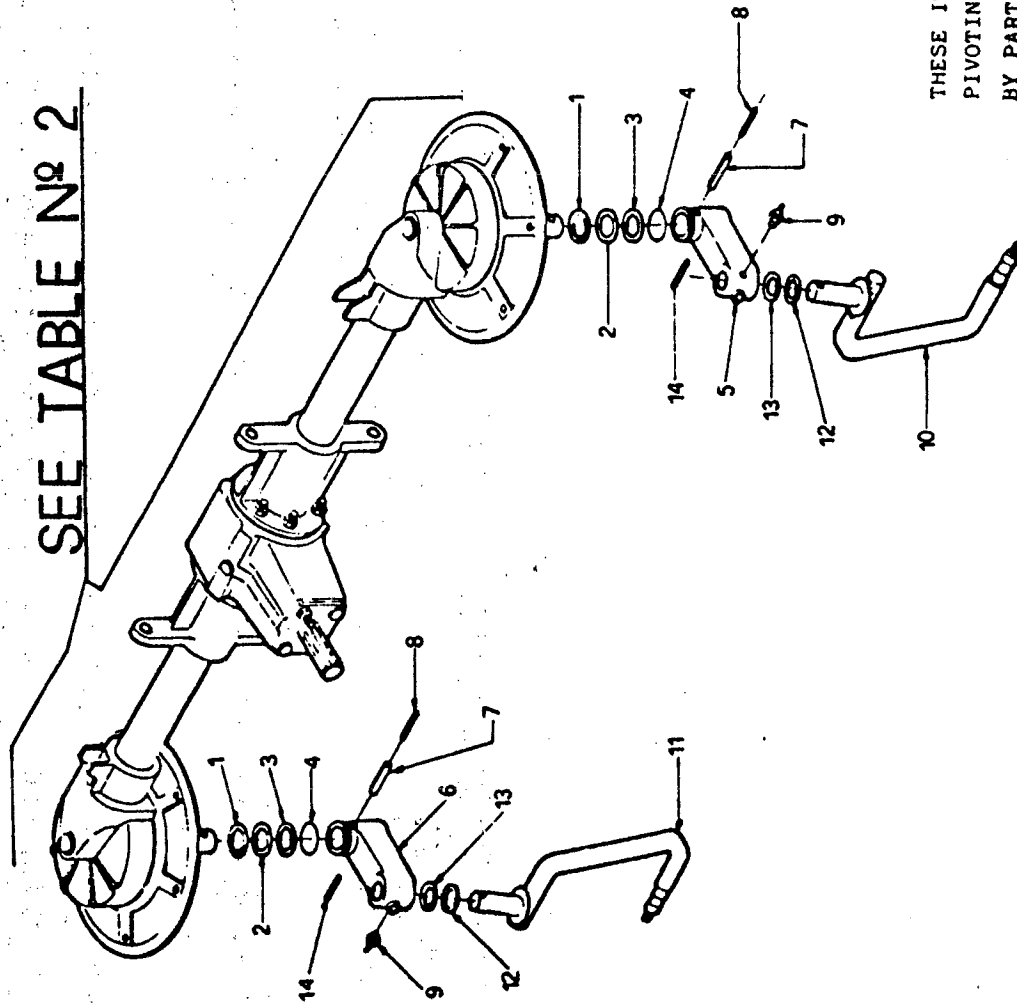
TABLE No 3

Contd. FROM 2ND PAGE - 4G / 5G TEDDERS - SPARE PARTS LIST

Item	Part no	4G Qty	Part no	5G Qty	Description
92	200.414	4	200.414	4	DUST COVER, INNER
93	600.602	8	600.602	8	BEARING
94	600.569	4	600.569	4	TUBE
95	600.570	4	600.570	4	TIRE
96	600.571	4	600.571	4	RIM
97	200.415	4	200.415	4	SPACER
98	200.416	4	200.416	4	DUST COVER, OUTER
99	600.572	4	600.572	4	TIRE ASSY
100	600.080	4	600.080	4	NUT

TABLE N^o2A — 2G-2GL SWIVEL WHEEL MODEL

SEE TABLE N^o 2



Item	Qty.	Part no.	Description
1	2	200.411	SHIM
2	2	200.475	SHIM
2	2	200.419	SHIM
3	2	200.490	SHIM
4	2	600.568	GASKET
5	1	200.468	SUPPORT, L.H.
6	1	200.467	SUPPORT, R.H.
7	2	600.541	SPRING PIN
8	2	600.562	SPRING PIN
9	2	600.124	GREASE NIPPLE
10	1	200.635	L.H. TIRE BRACKET
11	1	200.634	R.H. TIRE BRACKET
12	2	200.273	SHIM
13	2	200.272	SHIM
14	2	600.539	SPRING PIN

THESE ITEMS ARE ASSEMBLED ALSO ON 4G AND 5G MODELS WITH PIVOTING WHEEL EXCEPT FOR ITEM 5 AND 6 WHICH ARE IDENTIFIED BY PART NOS. 200.418 (ITEM 5) AND 200.417 (ITEM 6)