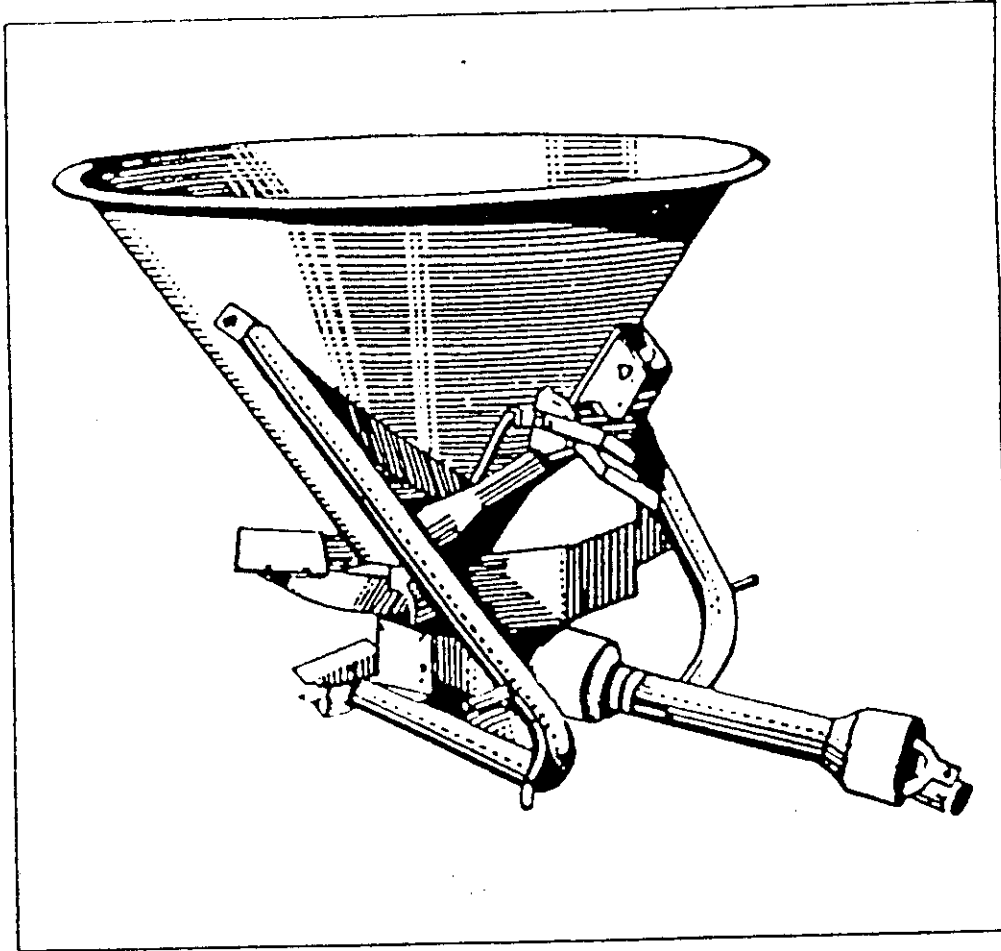


DANFLOW

Fertilizer Spreader and Seeder



Instructions & Spare Parts



ATTENTION SAFETY RULE!

1. Read instruction manual and make sure all operators are knowledgeable on correct operation of equipment and familiar the Safety Rules of Operation.
2. Never allow riders on equipment.
3. When operating on rough or uneven terrain, use extreme caution and a safe operating speed.
4. When spreading seed or fertilizer, always use safety goggles.
5. Never operate equipment when anyone is within 50 feet of seeder/spreader.



BALTIC KORN A/S

KÄHLERSBAKKEN 14, DK-4700 NAESTVED
DENMARK
PHONE: (45) 55 73 07 77. FAX: (45) 55 73 07 89

To the Owner/Operator/Dealer


All implements with moving parts are potentially hazardous. There is no substitute for a cautious, safe-minded operator who recognizes the potential hazards and follows reasonable safety practices. The manufacturer has designed this implement to be used with all its safety equipment properly attached, to minimize the chance of accidents.

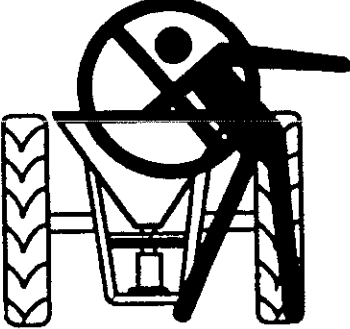
BEFORE YOU START!! Read the safety messages on the implement and shown in your manual. Observe the rules of safety and common sense!

SAFETY PRECAUTIONS

MOST ACCIDENTS OCCUR BECAUSE OF NEGLIGENCE OR CARELESSNESS. AVOID NEEDLESS ACCIDENTS BY FOLLOWING ALL OF THE SAFETY PRECAUTIONS LISTED BELOW.

1. Machinery should be operated only by those who are responsible and are authorized to do so.
2. Stop the engine, lower all equipment, lock the brakes, and remove the ignition key before dismounting from the tractor.
3. Never stand between tractor and implement while tractor is being backed to hitch.
4. Loose fitting clothing should not be worn, to avoid catching on various parts.
5. Detach implement in area where children normally do not play.
6. When performing adjustments or maintenance on an implement, first lower it to the ground or block it securely at a workable height.
7. Only a qualified operator should be permitted on tractor when in operation; no riders allowed.
8. Make certain everyone is in the clear before starting tractor or raising or lowering equipment.
9. Operate the tractor and implement only while seated in the driver's seat.
10. Reduce speed when transporting mounted implements to avoid bouncing and momentary loss of steering control.
11. A heavy load can cause instability of the tractor. Use extreme care during road travel. Slow down on turns and watch out for bumps. Tractor may need front counter-weights to counter-balance the weight of the implement.
12. Reduce speed on hillsides or curves so there is no danger of tipping.
13. Avoid driving too close to the edge of ditches or creeks.
14. Do not transport implement on public roads without reflectors and slow moving vehicle emblem in daylight and with approved warning lights at night and other periods of poor visibility.
15. Due to the width of some implements, use extra caution on highways, farm roads, and when approaching gates.
16. Always be sure the implement is in the proper position for transport.
17. Keep alert and watch the front as well as the rear when working with the implement.

 **DANGER**



 **BALTIC KORN A/B · DK-4700 NÆSTVED · DENMARK**

HAZARDOUS MOVING PARTS

1. Stop tractor and PTO before unclogging servicing or performing maintenance.
2. PTO shaft, agitator, scraper, and distribution disc can entangle clothing and cause serious injury.
3. Do not place hands or objects into the hopper with the spreader/seedler operating.
4. Do not allow riders on this equipment.

**SERIOUS INJURY OR DEATH
MAY RESULT.**

OPERATING INSTRUCTION.**1. APPLICATION.**

This spreader/seeder is designed for surface sowings of granulated and powdered fertilizer.

The spreader is designed for work with tractors of 0,6–0,9 T loadcarrying capacity class.

2. TECHNICAL DATA:

| | | | |
|---|-------|---------------------|---------------------|
| - fertilizer box capacity without extension ring | | 630 lbs | 0,25 m ³ |
| - working width for granular fertilizer | up to | 33' | 10 m |
| - working width for powdered fertilizer | up to | 20' | 6 m |
| - sowing volume range | | 7,6–2230,6 lbs/acre | 8,5–2500 kg/ha |
| - working speed | up to | 6,2 miles/h | 10 km/h |
| - transportation velocity | | 12,4 miles/h | 20 km/h |
| - number of spreader plates | | 1 pce | 1 pce |
| - plate diameter | | 19,7 inches | 0,5 m |
| - plate speed | | 540 r.p.m. | 540 r.p.m. |
| - number of plate vane | | 4 pcs | 4 pcs |

DIMENSIONS:

| | | |
|----------|----------|----------|
| Length | 4' | 1,21 m |
| Width | 3'10" | 1,18 m |
| Hight | 3'2" | 0,97 m |
| Weight | 152 lbs | 67 kg |
| Operator | 1 person | 1 person |

3. The 3-pt. mounted broadcast seeder/spreader with a PTO drive fit most Category I and some larger Category 0 tractors. Larger Category II tractors may also be used if the 3-pt. hitch lift arms will narrow to 26 inches. Bushings will be needed to fit the Category I (7/8" dia.) lift pins.

NOTE: Some Category 0 tractors have very short lift arms or 5/8" diameter (Cat. 0) lift arm ball ends. These tractors are not usually suitable.

Check the tractor's 3-pt. hitch. The hitch hydraulic system should be able to hold the lift arms at a set height. If the hydraulic system leaks and allows the lift arms to drop, then use stay straps to lock the hitch into position.

Refer to your tractor operator's manual or dealer for any adjustments necessary to put the 3-pt. hydraulic lift system in good working order. (I&T shop manuals will list most specifications and adjustment instructions – available from most farm equipment dealers).

NOTE: The DANFLOW Seeder/Spreader weighs 152 pounds and can hold up to 600 pounds of fertilizer. The tractor needs to be large enough to handle this possible 752 pounds load safely. The tractor may have to be equipped with front end weights to be properly counterbalanced.

Check the shield over the PTO stub shaft. Make sure it is in good condition and bolted securely to the tractor. Purchase a new shield if old shield is damaged or missing.

CAUTION!! Be sure tractor is in good condition. Read all the safety precautions and make sure all tractor operators are familiar with the safety rules of operation.

4. ASSEMBLY & MOUNTING

Mount the spreader/seeder on your tractor by sliding the lift arm ball sockets over the spreader/seeder pull pins and secure with linchpins (not furnished). Attach the center link (not furnished) to the center link bracket on the spreader/seeder, using a center link pin (not furnished) and secure it with a suitable linchpin. Adjust the center link so that the spreader/seeder fan is parallel to the ground.

NOTE: Use stabilizer bars, adjustable sway chains, or sway blocks on your tractor lift arms to keep the seeder/spreader from swinging side to side. Adjust as tightly as practical for best performance.

5. PTO INSTALLATION

In some cases it will be necessary to shorten the PTO assembly to match your particular tractor. The following procedure should be used:

(REFER TO FIG. 1)

Raise the tractor 3-pt. hitch so the input shaft of the spreader gearbox is in line with the PTO shaft on the tractor.

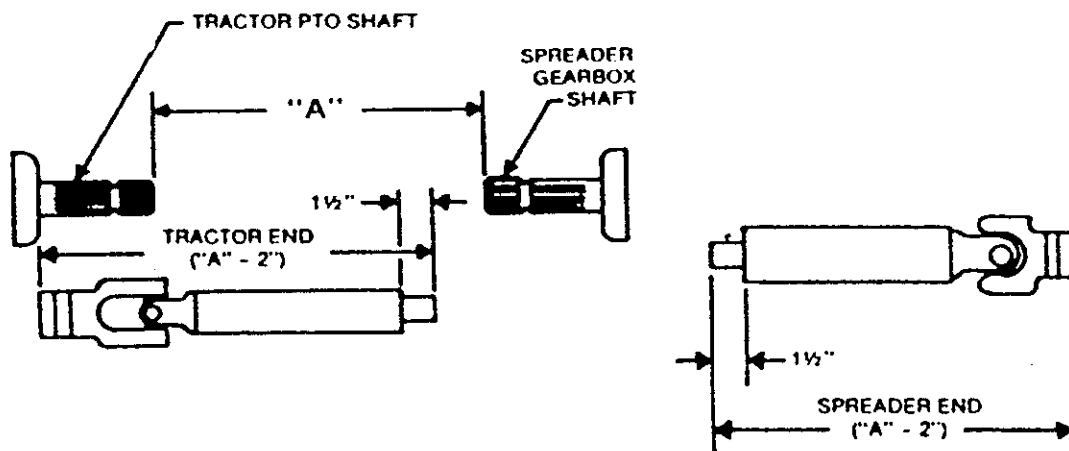


FIGURE 1

(See figure 2.) Measure the distance between the ends of the two shafts, Dimension "A" (Fig. 1). Each half of the PTO should be equal to Dimension "A" minus two (2) inches. Lay the PTO halves on a workbench and saw them off with a hacksaw. Now cut the plastic shields 1 1/2" shorter than the shafts. Remove burrs and cuttings. Now install the PTO assembly to the tractor and spreader. Carefully raise and lower the spreader and check to be sure the PTO assembly does not jam. If it does, cut equal amounts from each half of the PTO assembly.

NOTE: The use of a PTO shaft adapter or extension could require that the PTO driveline be shortened a considerable amount. If this is done, the driveline halves may separate when the spreader is lowered to the ground.

3.

Clean tractor PTO stub shaft and the inside of the splined driveline yoke. Pull the spring-loaded ring back from the end of the yoke and slip the splined driveline yoke on the splined PTO shaft of your tractor. Release the spring-loaded ring and push the yoke on until it locks in place. (The spring-loaded ring holds locking balls that lock the tractor end of the PTO driveline on the tractor PTO shaft.) Make certain the tractor PTO shield is in good condition and securely fastened onto the tractor. Repeat the above procedure on the splined power input shaft on the spreader gearbox.

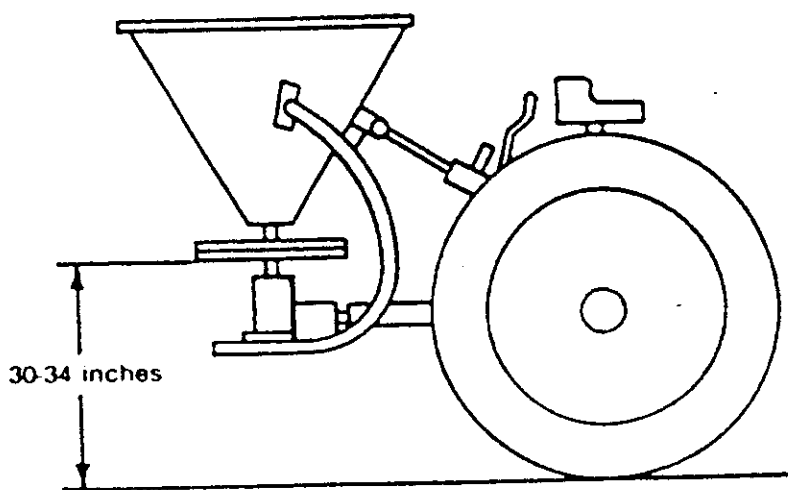


FIGURE 2

6. **SOWING ADJUSTMENT GEAR. (Fig. 3).**
To adjust the required sowing volume – based on sowing diagram – by setting the regulation's levers (8) on required place on the scale (23). Levers (8) by two pull-rod (9) are activating two gates (10/11) placed on two discharging holes in the bottom part of the hopper (2).
7. **SERVICE/DAILY INSPECTION.**
In order to ensure a regular operation and to prevent any damage or defect of the distributor unit the following is to be checked prior to starting the work:
 - screw joints,
 - check gearbox for leaks,
 - fastening of spreader plate,
 - condition of agitator,
 - grease PTO universal joints after every 8 hours of operation. Lubricate steel tube and shaft so they telescope freely.
8. **POST OPERATION INSPECTION:**
Empty the fertilizer box and clean and wash the fertilizer unit every time after the operation. Always store seeder/spreader in a clean, dry place.

9. POST SEASON OPERATION:

Season after use the following has to be done:

- the fertilizer distributor should be cleaned and washed,
- all damaged or worn parts should be repaired or replaced,
- all missing bolts and nuts, if any, must be replaced,
- repair rust spots with new paint and your unit will last longer.

The fertilizer distributor, assembled and maintained, should be stored sheltered.

HELPFUL TROUBLE-SHOOTING TIPS

1. **Not feeding even -**
 - A. Seed gate opening may be set too close for the material being spread. To overcome, set the opening larger and drive faster to obtain same spread rate.
 - B. Check material for foreign matter.
 - C. Check agitator drive pin for shear.
2. **Poor spread -**
 - A. Too much speed (over 560 PTO rpm) can cause uneven spread.
 - B. PTO speed too slow (PTO rpm under 520 rpm) will result in a narrow spread.
 - C. Bent fan blades.
 - D. Drive pin sheared or missing on fan hub.
 - E. Too windy for material being spread.
 - F. Agitator problems - check tips above, under "Not feeding even".
 - G. Operator not spacing spread area runs properly for correct overlap.
For best results, cover area twice over at one-half recommended material usage rate. The second time over, run halfway between first spreading width or in a criss-cross pattern. This method allows the most complete and even coverage, as well as to give operator a change to adjust gate setting to compensate for too thin or too heavy a covering the first time over.
 - H. Seeder/spreader should run level or tilted slightly forward. Make sure lift arms on tractor are adjusted so one side is not lower than the other.
 - I. Running agitator when not spreading can result in material being ground up and possibly packing over control gate opening. You can "over-agitate" material.

CAUTION:

When spreader is in operation - when the tractor power take off is operating

**STAY AWAY FROM ALL MOVING PARTS
on the spreader. Such as agitator, distribution disc
and P.T.O. shaft.**

5.

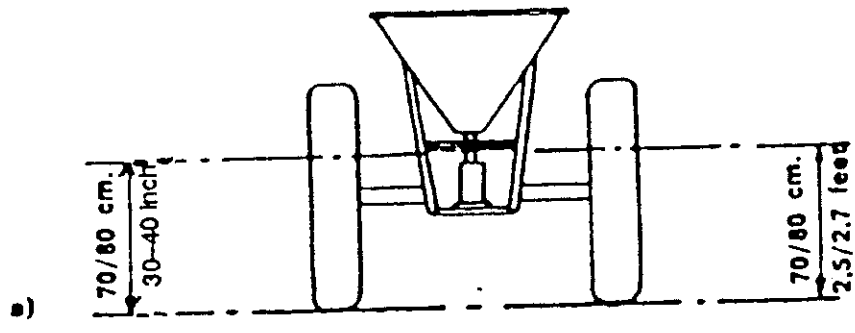
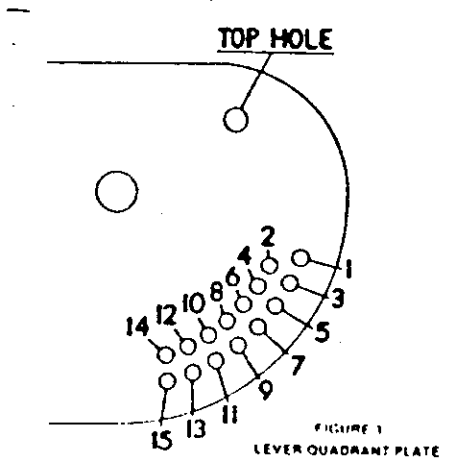
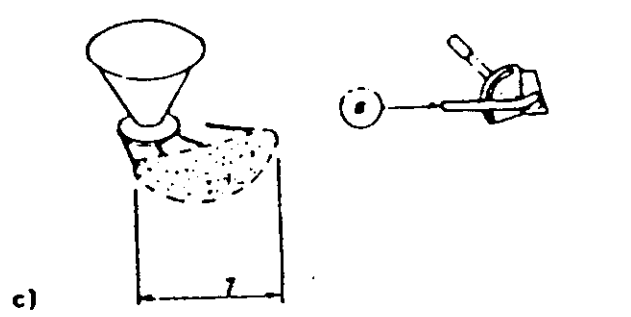
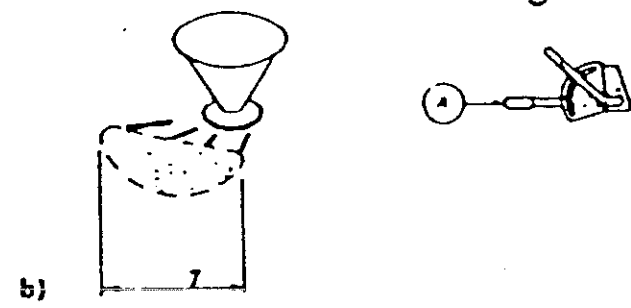
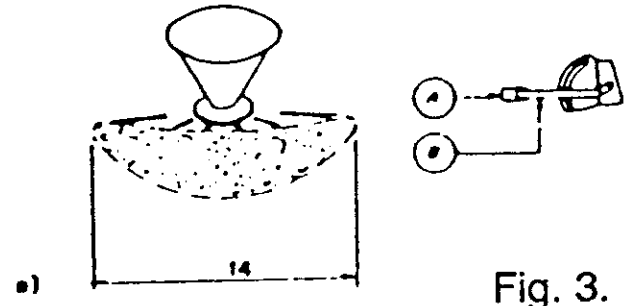
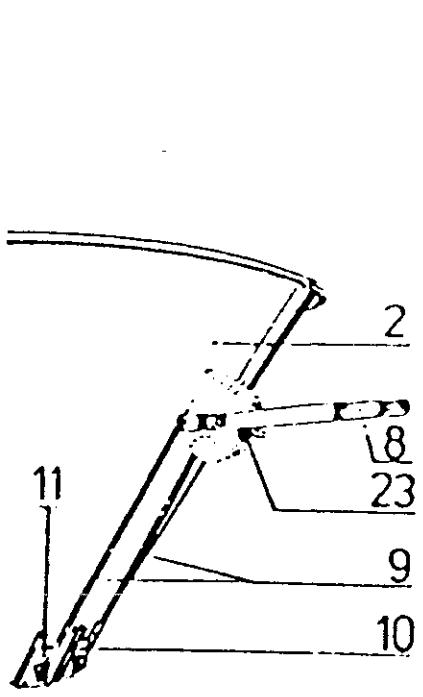
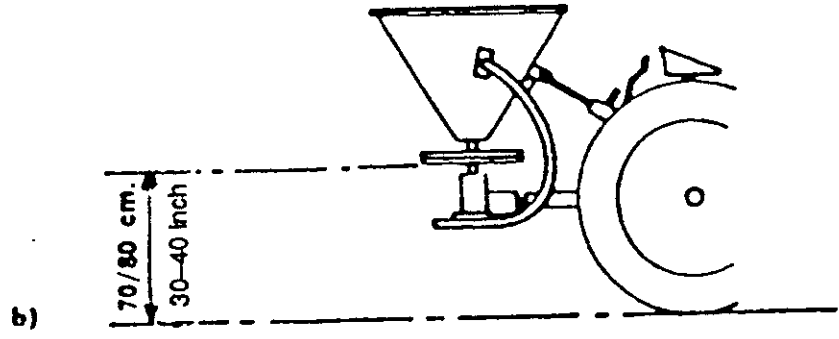
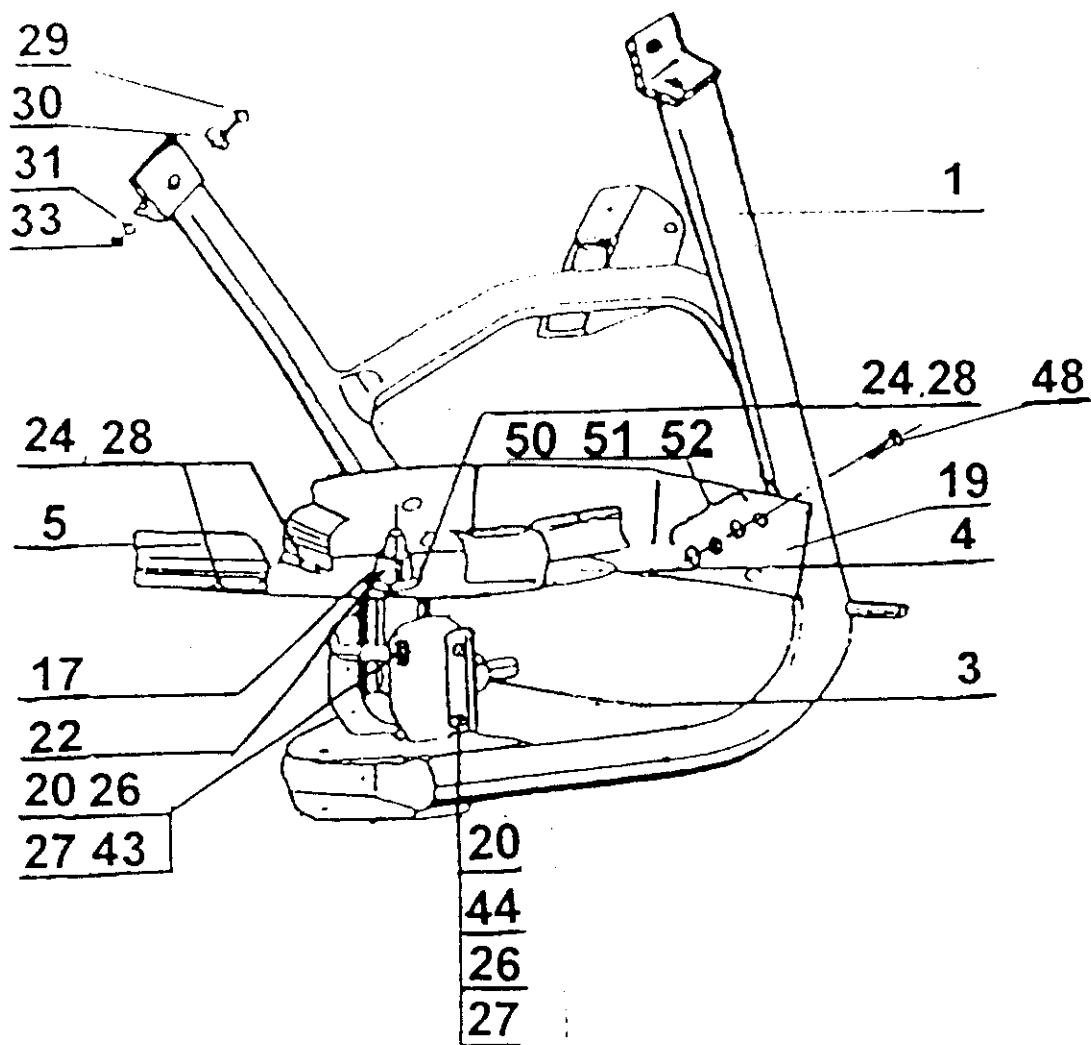
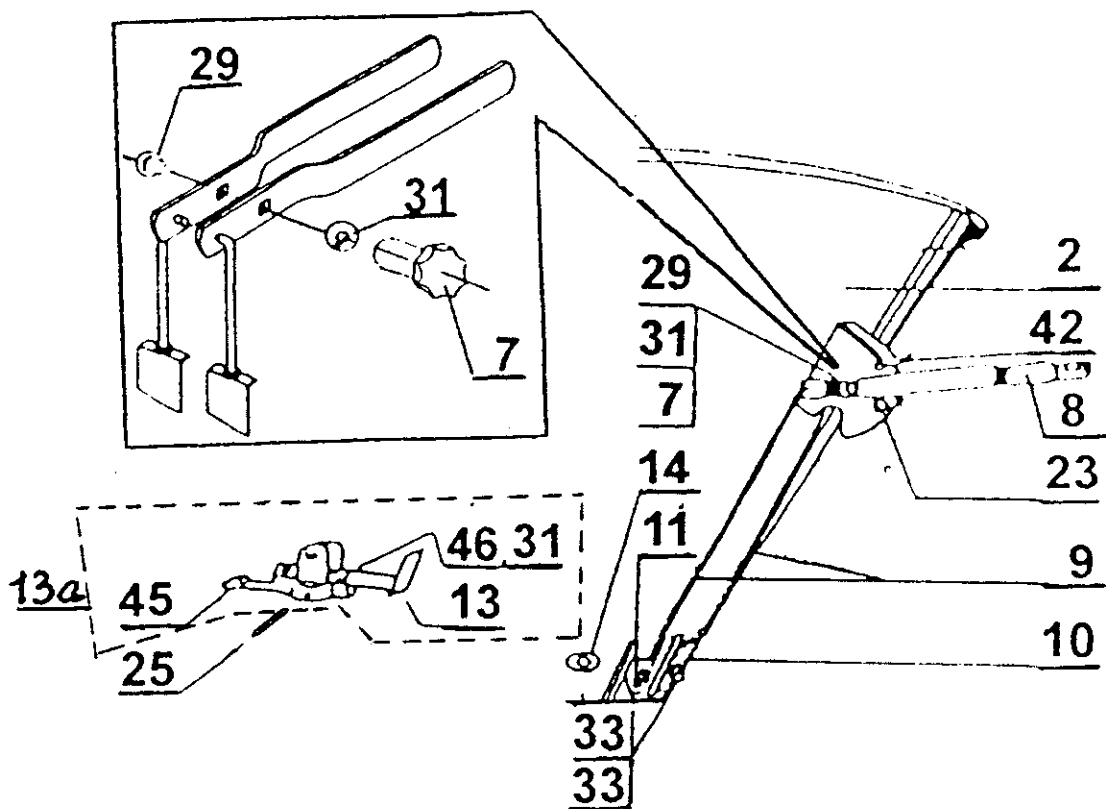


Fig. 2.



6.



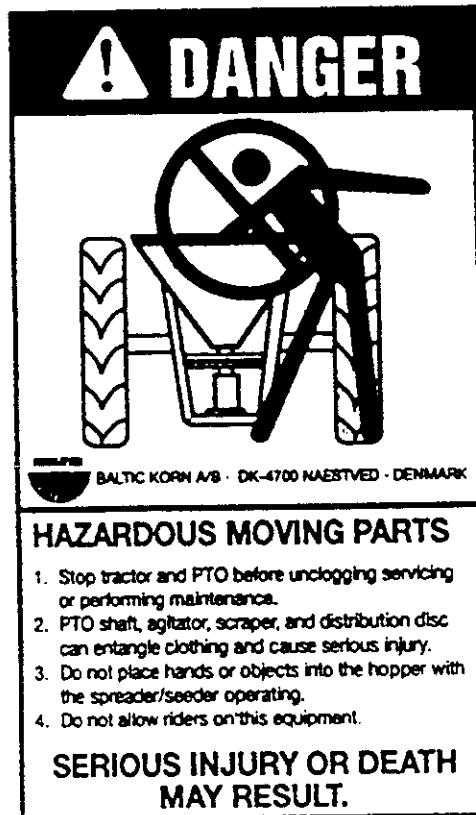
DANFLOW.

| Pos. No. | Description | Spare part No. | Qty. |
|----------|-----------------------------------|----------------|------|
| 1 | Frame complete | 2029/12-002/0 | 1 |
| 2* | Fertilizer box assy. | 2029/02-001/0 | 1 |
| 3** | Gearbox complete | 2029/06-001/0 | 1 |
| 4* | Spreader plate without vanes | 2029/07-002/0 | 1 |
| 5* | Plate vane | 2029/05-003/0 | 4 |
| 7* | Black knob | 2029/00-034/0 | 1 |
| 8* | Damper's lever | 2029/00-004/0 | 2 |
| 9* | Regulator's lever | 2029/00-005/0 | 2 |
| 10* | Left damper | 2029/00-006/0 | 1 |
| 11* | Right damper | 2029/00-007/0 | 1 |
| 13* | Connector without scraper | 2029/04-007/0 | 1 |
| 13a* | Connector with scraper | 2029/04-010/0 | 1 |
| 14* | Spacing washer | 2029/00-008/0 | 1 |
| 17* | Plate hub | 2029/07-003/0 | 1 |
| 19 | Screen plate | 2029/00-031/0 | 1 |
| 20 | Bolt M10x25-8-C Fe/Cd 12ba | 2029/00-010/0 | 3 |
| 22* | Rolled pin 10x40 | PN-66/M-85023 | 1 |
| 23* | Split pin B 71 Fe/Cd 12ba | BN-81/1902-04 | 1 |
| 24* | Bolt M 8x20-5.8-C Fe/Zn 12c | PN-85/M-82105 | 12 |
| 25* | Rolled pin 10x45 | PN-66/M-85023 | 1 |
| 26 | Spring washer Z 8.2 Fe/Zn 12 c | PN-78/M-82008 | 2 |
| 27 | Nut M8-8-B Fe/Zn 12 c | PN/M-82144 | 6 |
| 28* | Selfsecuring nut M8-5-B Fe/Zn 12c | PN-85/M-82175 | 12 |
| 29* | Bolt M10x30-4.8 Fe/Zn 12c | PN-87/M-82406 | 4 |
| 30* | Special washer | 2029/00-009/0 | 3 |
| 31* | Spring washer Z-10.2 Fe/Zn 12c | PN-77/M-82008 | 6 |
| 33* | Nut M10-5-C Fe/Zn 12c | PN-86/M-82144 | 7 |
| 42* | Split pin S 6,3x32 Fe/Zn 12 c | PN-76/M-82001 | 1 |
| 43 | Washer 8.4 Fe/Zn 12c | PN/M-82005 | 2 |
| 44 | Bending washer | 2042/00-006/0 | 2 |
| 45* | Scraper with sloted hole | 2029/04-011/0 | 1 |
| 46* | Bolt M10x25-5.8-B Fe/Zn 12c | PN-85/M-82242 | 2 |
| 48 | Bolt M6x16-4.8-B Fe/Zn 12bc | PN/M-82105 | 4 |
| 50 | Springwasher Z 6.1 Fe/Zn 12c | PN/M-82008 | 4 |
| 51 | Nut M6-4-C Fe/Zn 12c | PN/M-82144 | 4 |
| 52 | Washer 6.4 Fe/Zn 12c | PN/M-82005 | 4 |
| * | Sticker with seedchart | 2029/13-013/0 | |

HAZARDOUS MOVING PARTS

1. Stop tractor and PTO before unclogging servicing or performing maintenance.
2. PTO shaft, agitator, scraper, and distribution disc can entangle clothing and cause serious injury.
3. Do not place hands or objects into the hopper with the spreader/seedler operating.
4. Do not allow riders on this equipment.

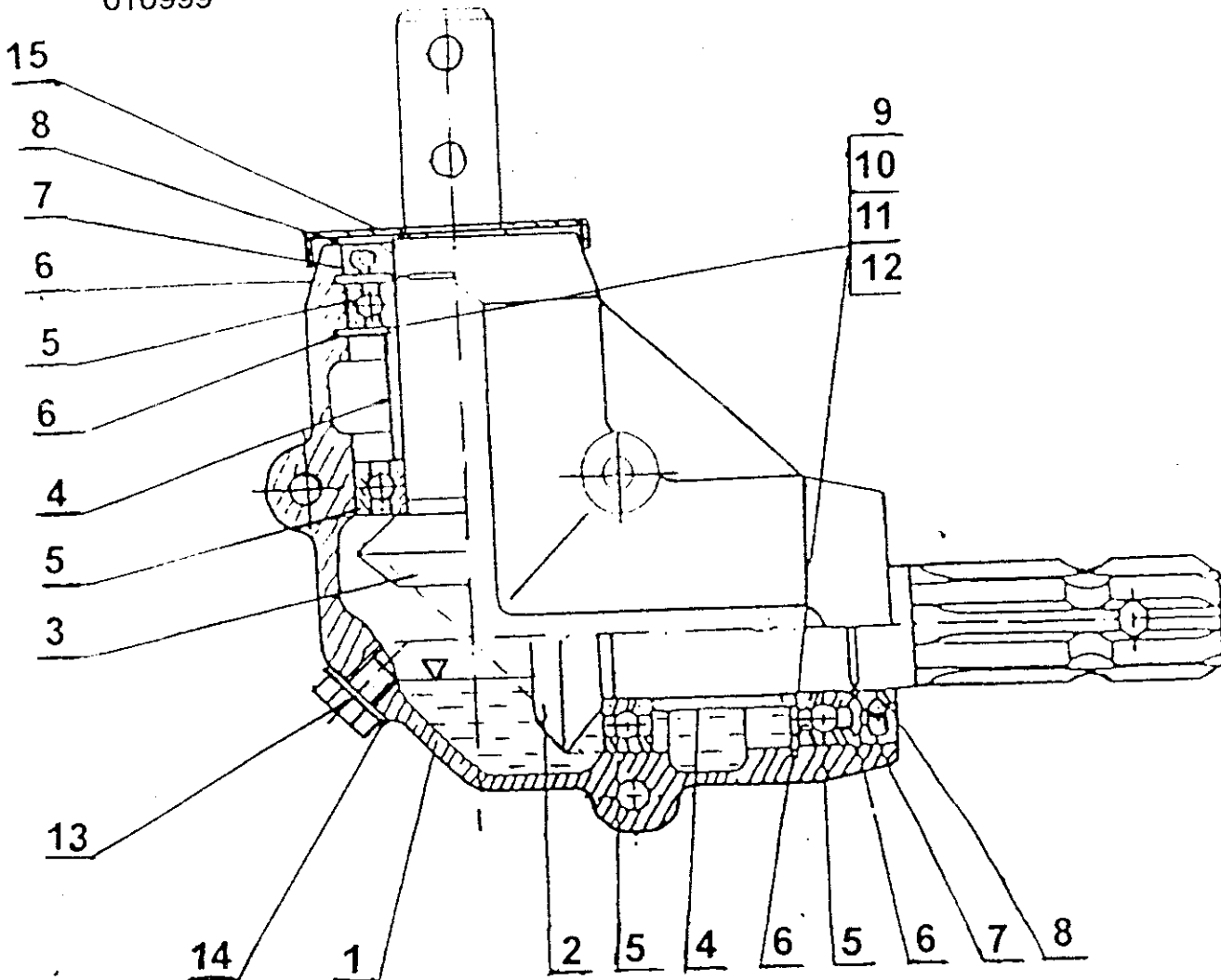
**SERIOUS INJURY OR DEATH
MAY RESULT**



GEARBOX.

| Pos. No. | Description | Spare part No. | Qty. |
|----------|----------------------|----------------|------|
| ** | Gearbox complete | 2029/06-001/0 | 1 |
| 1** | Gearbox housing | 2029/06-002/0 | 1 |
| 2** | Gear shaft 1 | 2029/06-010/0 | 1 |
| 3** | Gear shaft 2 | 2029/06-011/0 | 1 |
| 4** | Spacing bushing | 2029/06-005/0 | 2 |
| 5** | Ball bearing 6007 | PN-85/M-86100 | 4 |
| 6** | Circlips W 62 | PN-81/M-85111 | 4 |
| 7** | Circlips Z 35 | PN-81/M-85111 | 2 |
| 8** | Sealing ring 35x62x7 | PN/M-86964 | 2 |
| 9** | Spacing washer 1 | 2029/06-006/0 | |
| 10** | Spacing washer 2 | 2029/06-007/0 | |
| 11** | Spacing washer 3 | 2029/06-008/0 | |
| 12** | Spacing washer 4 | 2029/06-009/0 | |
| 13 | Control plug | 2011/02-056/0 | 1 |
| 14 | Gasket 12x20x1,5 | PN/M-86970 | 1 |
| 15** | Top shield gearbox | 2042/00-005/0 | 1 |

010999



FERTILIZER SPREAD CHART.

| Fertilizer type | Working width (feet) | Adjustment on the scale - Quantity lbs/acre. | | | | | | | | | | | | | | Working speed km/h |
|------------------|----------------------|--|-----|------|------|------|------|------|------|------|------|------|------|-----|----|--------------------|
| | | 1 | 2 | 3 | 4 | 5 | 6 | 7 | 8 | 9 | 10 | 11 | 12 | 13 | 14 | |
| Ammonium Nitrate | 33' | 193 | 460 | 738 | 1011 | 1325 | 1632 | 1981 | 2281 | 2596 | 2893 | 3190 | 3654 | 0,6 | | |
| | | 48 | 115 | 184 | 252 | 332 | 408 | 495 | 570 | 649 | 723 | 797 | 913 | 2,5 | | |
| | | 24 | 57 | 92 | 126 | 166 | 204 | 247 | 285 | 325 | 362 | 399 | 456 | 5,0 | | |
| | | 16 | 38 | 62 | 84 | 111 | 136 | 165 | 190 | 216 | 241 | 266 | 304 | 7,5 | | |
| Phosphat Kali R | 33' | 133 | 341 | 663 | 947 | 1341 | 1638 | 2002 | 2365 | 2665 | 2948 | 3335 | 4031 | 0,6 | | |
| | | 33 | 85 | 166 | 237 | 335 | 410 | 499 | 591 | 666 | 737 | 834 | 1008 | 2,5 | | |
| | | 17 | 43 | 83 | 119 | 168 | 205 | 250 | 291 | 333 | 368 | 417 | 504 | 5,0 | | |
| | | 11 | 28 | 55 | 79 | 112 | 137 | 166 | 197 | 222 | 245 | 278 | 336 | 7,5 | | |
| Carbamide | 23' | 201 | 572 | 1112 | 1583 | 2065 | 2569 | 3109 | 3591 | 4025 | 4699 | 0,6 | | | | |
| | | 50 | 143 | 278 | 396 | 516 | 642 | 777 | 898 | 1006 | 1174 | 2,5 | | | | |
| | | 25 | 72 | 139 | 198 | 258 | 321 | 389 | 449 | 503 | 587 | 5,0 | | | | |
| | | 16 | 48 | 93 | 132 | 172 | 241 | 259 | 299 | 335 | 391 | 7,5 | | | | |
| NPK 13x13x21 | 33' | 74 | 230 | 440 | 805 | 1196 | 1508 | 1836 | 2077 | 2376 | 2743 | 2988 | 3745 | 0,6 | | |
| | | 18 | 57 | 110 | 201 | 299 | 377 | 459 | 519 | 593 | 686 | 747 | 936 | 2,5 | | |
| | | 28 | 55 | 101 | 150 | 189 | 229 | 260 | 297 | 342 | 373 | 468 | 5,0 | | | |
| | | 19 | 36 | 67 | 100 | 125 | 153 | 173 | 198 | 229 | 249 | 312 | 7,5 | | | |

FERTILIZER SPREAD CHART.

| Fertilizer type | Working width (metre) | Adjustment on the scale - Quantity kg/ha. | | | | | | | | | | | | | | Working speed km/h |
|------------------|-----------------------|---|-----|------|------|------|------|------|------|------|------|------|------|----|----|--------------------|
| | | 1 | 2 | 3 | 4 | 5 | 6 | 7 | 8 | 9 | 10 | 11 | 12 | 13 | 14 | |
| Ammonium Nitrate | 10 | 312 | 744 | 1194 | 1635 | 2143 | 2640 | 3204 | 3690 | 4200 | 4680 | 5160 | 5910 | 1 | | |
| | | 78 | 166 | 298 | 408 | 537 | 660 | 801 | 922 | 1050 | 1170 | 1290 | 1477 | 4 | | |
| | | 39 | 93 | 149 | 204 | 268 | 330 | 400 | 461 | 525 | 585 | 645 | 738 | 8 | | |
| | | 26 | 62 | 100 | 136 | 179 | 220 | 267 | 308 | 350 | 390 | 430 | 492 | 12 | | |
| Phosphat Kali R | 10 | 215 | 552 | 1072 | 1532 | 2169 | 2650 | 3239 | 3825 | 4310 | 4768 | 5394 | 6520 | 1 | | |
| | | 34 | 138 | 268 | 383 | 542 | 663 | 807 | 956 | 1077 | 1192 | 1349 | 1630 | 4 | | |
| | | 27 | 69 | 134 | 192 | 271 | 331 | 404 | 470 | 539 | 595 | 674 | 815 | 8 | | |
| | | 18 | 46 | 89 | 128 | 181 | 221 | 268 | 319 | 359 | 397 | 450 | 543 | 12 | | |
| Carbamide | 7 | 325 | 925 | 1799 | 2561 | 3341 | 4155 | 5029 | 5809 | 6511 | 7611 | | | 1 | | |
| | | 81 | 231 | 450 | 640 | 835 | 1038 | 1257 | 1452 | 1627 | 1900 | | | 4 | | |
| | | 41 | 116 | 225 | 320 | 418 | 519 | 629 | 726 | 814 | 950 | | | 8 | | |
| | | 27 | 77 | 150 | 213 | 278 | 346 | 419 | 484 | 542 | 633 | | | 12 | | |
| NPK 13x13x21 | 10 | 120 | 372 | 711 | 1302 | 1935 | 2439 | 2970 | 3360 | 3843 | 4437 | 4833 | 6057 | 1 | | |
| | | 30 | 93 | 178 | 325 | 483 | 610 | 742 | 840 | 960 | 1109 | 1208 | 1514 | 4 | | |
| | | | 46 | 89 | 163 | 242 | 305 | 371 | 420 | 480 | 554 | 604 | 737 | 8 | | |
| | | | 31 | 59 | 108 | 161 | 203 | 247 | 280 | 320 | 370 | 402 | 504 | 12 | | |

11.11.98.

SEED SPREAD CHART

| Material | Working width feet | P.T.O. revolution RPM | OUTPUT IN <u>LBS/ACRE</u> WITH BELOW ADJUSTMENT. | | | | | | | | | Working speed M/h |
|-------------|--------------------|-----------------------|--|---|---|-----|-----|------|------|------|-----|-------------------|
| | | | 2 | 3 | 4 | 5 | 6 | 7 | 8 | 9 | | |
| RYE | 33 | 540 | | | | 556 | 868 | 1193 | 1455 | | | 0,6 |
| | | | | | | 139 | 217 | 298 | 429 | | | 2,5 |
| | | | | | | 86 | 135 | 186 | 227 | | | 4,0 |
| WHEAT | 33 | 540 | | | | 69 | 109 | 149 | 182 | | | 5,0 |
| | | | | | | 57 | 90 | 124 | 151 | | | 6,0 |
| | | | | | | 47 | 72 | 99 | 122 | | | 7,4 |
| RICE | 33 | 540 | | | | 440 | 709 | 967 | 1270 | | | 0,6 |
| | | | | | | 110 | 177 | 242 | 318 | | | 2,5 |
| | | | | | | 70 | 111 | 151 | 198 | | | 4,0 |
| BARLEY | 26 | 540 | | | | 56 | 89 | 121 | 159 | | | 5,0 |
| | | | | | | 46 | 74 | 100 | 147 | | | 6,0 |
| | | | | | | 37 | 59 | 81 | 106 | | | 7,4 |
| OATS | 23 | 540 | | | | 140 | 253 | | | | | 4,0 |
| | | | | | | 112 | 203 | | | | | 5,0 |
| | | | | | | 93 | 169 | | | | | 6,0 |
| SOYBEANS | 40 | 540 | | | | 75 | 135 | | | | | 7,5 |
| | | | | | | 87 | 144 | 688 | 967 | 1191 | | 0,6 |
| | | | | | | 47 | 90 | 107 | 242 | 297 | | 2,5 |
| SUDAN GRASS | 33 | 540 | | | | 72 | 121 | 149 | 186 | | | 4,0 |
| | | | | | | 60 | 100 | 124 | 151 | | | 5,0 |
| | | | | | | 48 | 81 | 100 | 124 | 151 | | 6,0 |
| SUDAN GRASS | 33 | 540 | | | | 71 | 121 | 149 | 186 | | | 7,4 |
| | | | | | | 48 | 81 | 100 | 124 | 151 | | 4,0 |
| | | | | | | 48 | 81 | 100 | 124 | 151 | | 5,0 |
| SUDAN GRASS | 33 | 540 | | | | 131 | 235 | | | | | 6,0 |
| | | | | | | 105 | 186 | | | | | 7,5 |
| | | | | | | 87 | 151 | | | | | 4,0 |
| SUDAN GRASS | 33 | 540 | | | | 70 | 121 | 149 | 186 | | | 5,0 |
| | | | | | | 49 | 81 | 100 | 124 | 151 | | 6,0 |
| | | | | | | 31 | 51 | 81 | 106 | 136 | 170 | 7,5 |

| | | | | | | | | | | | | | |
|---------------------------------------|----|-----|-----|------|-----|-----|--|--|--|--|-----|-----|-----|
| LESPEDEZA | 32 | 540 | 11 | 22 | | | | | | | | 4,0 | |
| ALFALFA & CLOVER | 26 | 540 | 9 | 18 | | | | | | | | 5,0 | |
| | | | 7,5 | 15 | | | | | | | | 6,0 | |
| | | | 6 | 12 | | | | | | | | | 7,5 |
| | | | 14 | 48 | 118 | | | | | | | | 4,0 |
| RAPE | 20 | 540 | 11 | 39 | 95 | | | | | | | 5,0 | |
| | | | 9 | 32 | 79 | | | | | | | 6,0 | |
| | | | 7,5 | 26 | 63 | | | | | | | | 7,5 |
| | | | 14 | 83 | 168 | | | | | | | | 2,5 |
| RYE GRASS 1 year old and FESCUE | 16 | 540 | 6 | 41 | 84 | | | | | | | 5,0 | |
| | | | 5 | 28 | 56 | | | | | | | 7,5 | |
| | | | | 18 | 55 | 117 | | | | | | | 2,5 |
| | | | | 11 | 34 | 74 | | | | | | | 4,0 |
| BLUE GRASS & BERNUDA GRASS | 16 | 540 | 9 | 9 | 27 | 59 | | | | | | 5,0 | |
| | | | 7,5 | 7,5 | 22 | 49 | | | | | | 6,0 | |
| | | | 6 | 6 | 18 | 39 | | | | | | | 7,5 |
| | | | | 20,5 | 72 | | | | | | | | 4,0 |
| ORCHARD GRASS | 12 | 540 | | 16,5 | 45 | | | | | | | 5,0 | |
| | | | | 13,5 | 36 | | | | | | | 6,0 | |
| | | | | 11 | 24 | | | | | | | | 7,5 |
| | | | | 14 | 21 | | | | | | | | 4,0 |
| BROME GRASS | 10 | 540 | | 11 | 17 | | | | | | | 5,0 | |
| | | | | 9 | 14 | | | | | | | 6,0 | |
| | | | | 7 | 11 | | | | | | | | 7,5 |
| | | | | 4 | 12 | 19 | | | | | | | 4,0 |
| RED GLOVE | 20 | 540 | 6 | 6 | 9,5 | | | | | | | 5,0 | |
| | | | 5 | 5 | 8 | | | | | | | 6,0 | |
| | | | 85 | 307 | 760 | | | | | | | 0,6 | |
| | | | 22 | 77 | 190 | | | | | | | | 2,5 |
| RAPE | 20 | 540 | 11 | 39 | 95 | | | | | | | 5,0 | |
| | | | 7 | 26 | 64 | | | | | | | 7,4 | |
| | | | 52 | 330 | 671 | | | | | | | 0,6 | |
| | | | 14 | 83 | 168 | | | | | | | | 2,5 |
| | 6 | 41 | 84 | | | | | | | | 5,0 | | |
| | 5 | 28 | 56 | | | | | | | | 7,4 | | |

SEED SPREAD CHART.

| Material | Working width metre | P.T.O. revolution RPM | OUTPUT IN KG/HOUR WITH BELOW ADJUSTMENT. | | | | | | | | | Working speed km/h |
|-----------------------|------------------------|-----------------------------|--|---|---|-----|-----|------|------|------|--|-----------------------|
| | | | 2 | 3 | 4 | 5 | 6 | 7 | 8 | 9 | | |
| RYE | 10 | 540 | | | | 623 | 973 | 1337 | 1630 | | | 1 |
| | | | | | | 155 | 243 | 334 | 480 | | | 4 |
| | | | | | | 77 | 122 | 167 | 204 | | | 8 |
| | | | | | | 52 | 81 | 111 | 136 | | | 12 |
| WHEAT | 10 | 540 | | | | 493 | 794 | 1084 | 1423 | | | 1 |
| | | | | | | 123 | 198 | 271 | 356 | | | 4 |
| | | | | | | 62 | 99 | 135 | 178 | | | 8 |
| | | | | | | 41 | 66 | 90 | 119 | | | 12 |
| BARLEY | 8 | 540 | | | | | 645 | 771 | 1083 | 1334 | | 1 |
| | | | | | | | 161 | 193 | 271 | 333 | | 4 |
| | | | | | | | 81 | 96 | 135 | 167 | | 8 |
| | | | | | | | 54 | 64 | 90 | 111 | | 12 |
| OAT | 7 | 540 | | | | | 367 | 615 | 920 | 1236 | | 1 |
| | | | | | | | 92 | 154 | 230 | 309 | | 4 |
| | | | | | | | 46 | 77 | 115 | 155 | | 8 |
| | | | | | | | 31 | 51 | 77 | 103 | | 12 |
| RYE GRASS year old | 4 | 540 | | | | | 78 | 243 | 526 | | | 1 |
| | | | | | | | 20 | 61 | 131 | | | 4 |
| | | | | | | | 10 | 30 | 66 | | | 8 |
| | | | | | | | 7 | 20 | 44 | | | 12 |
| RED GLOVE | 6 | 540 | | | | | 95 | 344 | 851 | | | 1 |
| | | | | | | | 24 | 86 | 213 | | | 4 |
| | | | | | | | 12 | 43 | 106 | | | 8 |
| | | | | | | | 8 | 29 | 71 | | | 12 |
| RAPE | 6 | 540 | | | | | 58 | 370 | 752 | | | 1 |
| | | | | | | | 15 | 93 | 188 | | | 4 |
| | | | | | | | 7 | 46 | 94 | | | 8 |
| | | | | | | | 5 | 31 | 63 | | | 12 |

Parts

Parts
BAL TIC PARTS DISTRIBUTOR
Global Parts Supply



Mailing Address:
P.O.Box 733
Hermitage, TN 37076
USA

Shipping Address:
3710 Plantation Drive
Hermitage, TN 37076
USA

Telephone: 615/884-8733. Fax: 615/884-8725.
E-mail: globalpartsupply@netscape.net

Toll-free parts order line:

1-888-914-0777