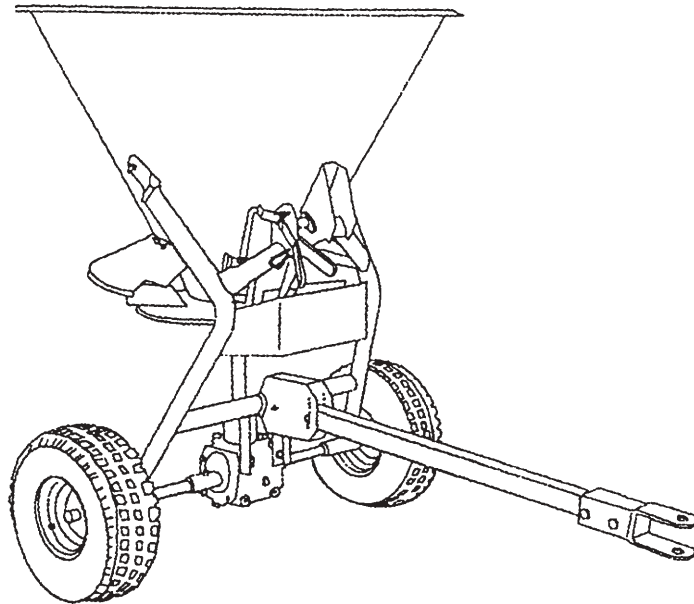


# BALTIMATIC® PULL TYPE SPREADER 5 BUSHEL



## Instruction & Spare Parts



**BALTIC KORN A/S**

KÄHLERSBAKKEN 14, DK-4700 NAESTVED  
DENMARK  
PHONE: (45) 55 73 07 77. FAX: (45) 55 73 07 89

E-mail: [baltic@baltimatic.com](mailto:baltic@baltimatic.com)



# DANGER



BALTIC KORN A/S · DK-4700 NÆSTVED · DENMARK  
E-mail: baltic@baltimatic.com

## HAZARDOUS MOVING PARTS

1. Stop tractor and PTO before unclogging servicing or performing maintenance.
2. PTO shaft, agitator, scraper, and distribution disc can entangle clothing and cause serious injury.
3. Do not place hands or objects into the hopper with the spreader/seedler operating.
4. Do not allow riders on this equipment.

**SERIOUS INJURY OR DEATH  
MAY RESULT.**

***Attention:*** Check all bolts for tightness and grease before using the machine  
Check bolts for tightness after 30 minuts the first time used.  
Check all bolts for tightness and grease before each additional use.

---

BALTIC KORN A/S.Kaehlersbakken 14.DK-4700 Naestved.Denmark.  
Phone:+45 55 73 07 77.Fax:+45 5573 07 89. e-mail: baltic@baltimatic.com

# 1.

## I. Application.

Pull type spreader is adjusted for work with small tractors, ATV's, cars rear hitch.

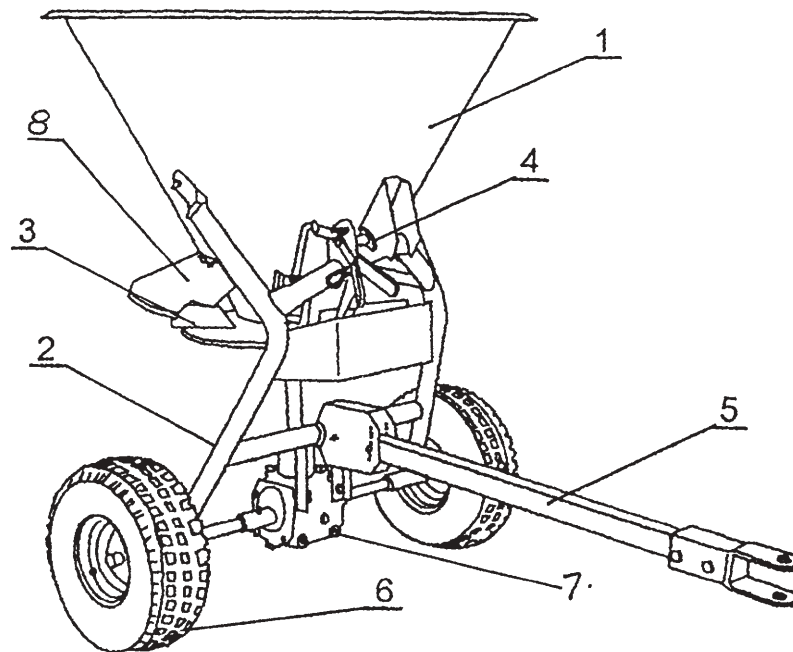
It is designed for surface spreading of granulated and powdered materials in fruit gardens, gardens, golf fields and small farms.

## II. Technical data.

|  |         |           |
|--|---------|-----------|
| 1. Capacity of hopper  | 160 l   | 5 bushels |
| 2. Working width   |         |           |
| - for granulated fertilizers                                 | 8 m     | 24'       |
| - for powders fertilizers                                    | 5 m     | 15'       |
| - for seeds  | 5-8 m   | 15'-25'   |
| 3. Spacing of axle wheels                                    | 850 mm  | 33"       |
| 4. Rotation of discs rpm<br>(at speed 6,3 miles/h – 10 km/h) |         | 450 rpm   |
| 5. Number of spreading discs                                 |         | 1 pce     |
| 6. Number of vanes   |         | 4 pcs     |
| 7. Distance between axle of<br>spreader and eye of drawbar   | 1100 mm | 43"       |
| 8. Measurements  |         |           |
| - width  | 1020 mm | 40"       |
| - height   | 1200 mm | 47"       |
| - length   | 1575 mm | 62"       |
| 9. Diameter of hole of eye of drawbar                        | 25 mm   | 2"        |
| 10. Weight   | 64 kg   | 140 lbs   |

2.

**III. Description of construction and work.**



Drawing no. 1.

Pull type spreader consists of the following elements:

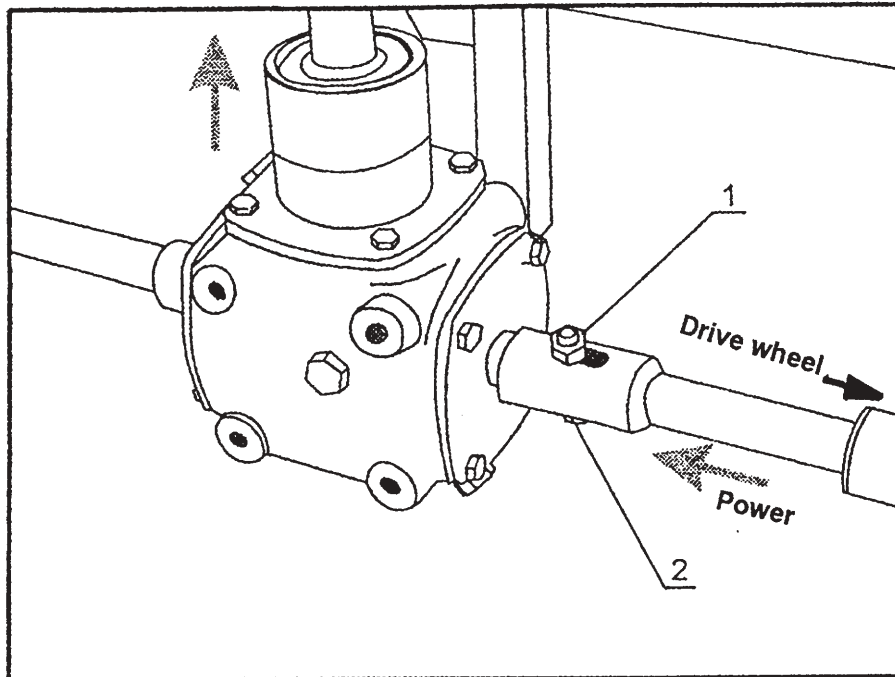
- 1- hopper
- 2- frame
- 3- spreading disc
- 4- spreading adjustment for regulation of q-ty of spreading material
- 5- drawbar
- 6- 2 pcs wheels
- 7- gearbox
- 8- winddrift shield

3.

*2. Description of construction.*

Hopper is a one pce hopper without seams conical in shape.  
Frame is made from profiled pipes. To frame are fixed all assemblies of spreader. See drawing no. 2.

Working mechanism on the spreader is ground driven.  
Power to the spreading disc and scraper is transmitted from the right side wheel through the gearbox. Drawing no. 2.



Drawing no. 2.

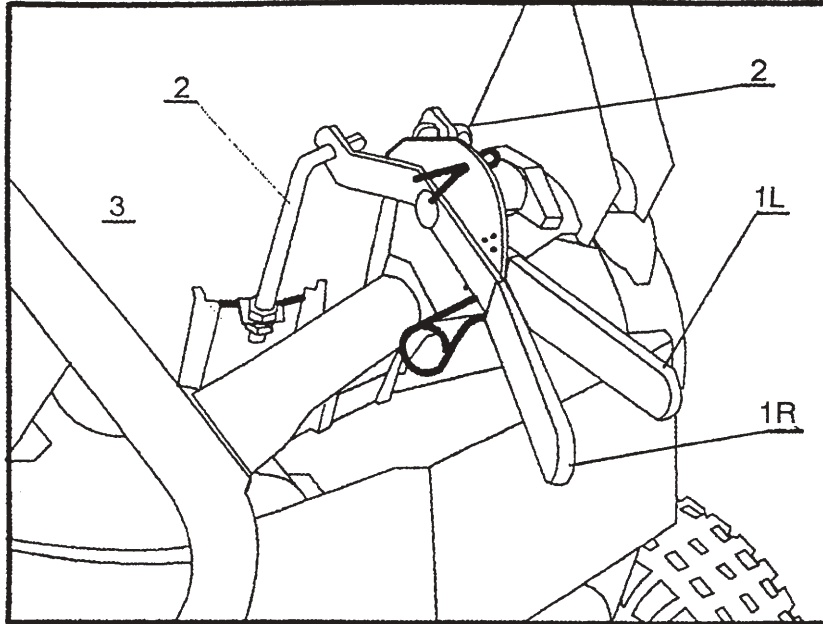
In order to disconnect drive – nut should be unscrewed pos. 1 draw. 2  
and bolt take out pos. 2 draw. 2.

For longer transport distances it is advisable to disconnect drive and  
thereby spreading disc.

4.

### 3. Dosing mechanism.

For dosing regulation of quantity of material there are two levers pos. 1L and 1R draw. 3 which via pull rod pos. 2 is changing position of dampers, pos. 3 draw. 3. Thereby the sizes of dosing holes is adjustable.



Drawing no. 3.

The change of position of dampers cause change of spreading material. Setting up the quantity of spreading material should be done according to spreading seed chart.

Asymetrical spreading leftside (when looking to direction of drive) you can obtain by closing left damper – by lever 1L draw. 3.

Asymetrical spreading rightside you can obtain by closing damper – lever 1R draw. 3.

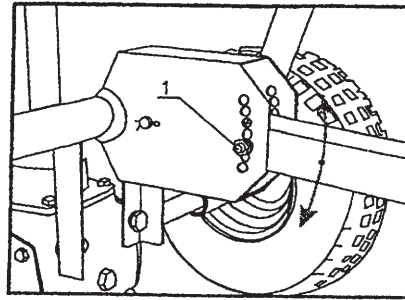
Symetrical spreading you will obtain when you simultaneously open both dampers left and right by using levers 1R and 1L draw. 3.

It is recommended initially adjustment of dampers upto symetrical spreading and then correct dependly on need.

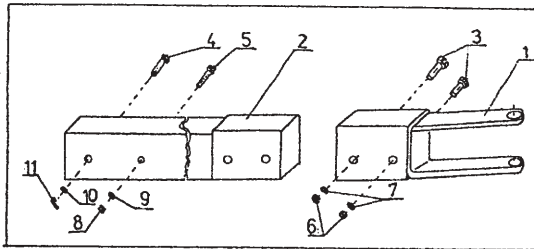
5.

#### 4. Drawbar.

For connection spreader with tractor/car/truck is used drawbar pos. 5 draw. 1. Angel on drawbar can be regulated – for that purpose there is pin pos. 1 draw. 4 and holes in hitch of frame.



Drawing no. 4

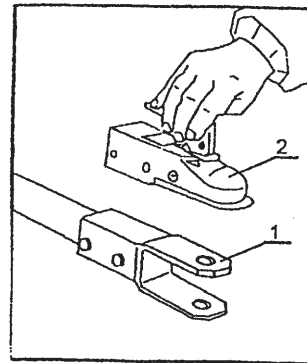


Drawing no. 5.

#### REMARK.

Drawbar of spreader is in standard version equipped with the hitch as a bolted clevis hitch pos. 1 draw. 5.

Depending on need – user can dismount clevis hitch and mount special hitch for trailers.  
Pos. 2 draw. 6. Bolt pattern for the bolted clevis hitch is same as bolt pattern for trailer hitch.



Drawing no. 6.

6.

*5. Technical service.*

In order to insure the proper work and in order to avoid damages of machines, it is necessary before work to check:

- bolt connections
- that spreading discs and vanes are firmly mounted
- condition of wheel type agitator
- pressure in tyres (0,15 MPa)
- level of oil in gearbox (0,5 l) gearbox oil PL
- that geardrive is working
- grease the spreader at the greasing points.

*6. Control after work.*

Every time after work should be done:

- empty hopper from spreading material clean and wash
- check and improve fixing of working assemblies.

oooooooo000oooooooo



## Seed chart lbs/acre.

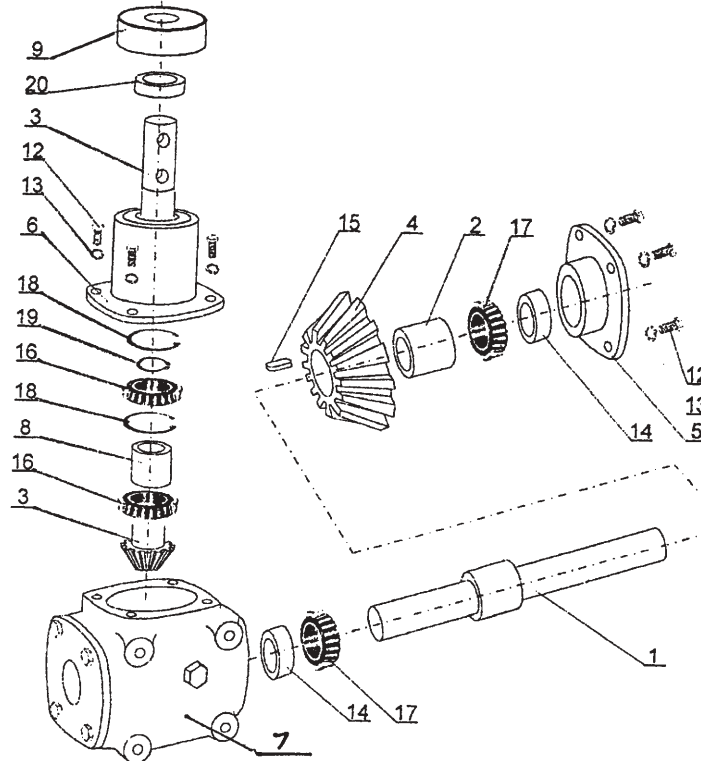
| Material                 | Spreading width feed | SETTING.  |            |            |            |             |             |              |             |             |             |             | Speed miles/h |
|--------------------------|----------------------|-----------|------------|------------|------------|-------------|-------------|--------------|-------------|-------------|-------------|-------------|---------------|
|                          |                      | 4         | 5          | 6          | 7          | 8           | 9           | 10           | 11          | 12          | 13          | 14          |               |
| Ammonium Nitrate         | 26'                  | 119<br>67 | 230<br>131 | 341<br>194 | 450<br>257 | 559<br>318  | 668<br>381  | 776<br>442   | 904<br>515  | 1031<br>587 | 1257<br>660 | 1284<br>731 | 3<br>6        |
| UREA                     | 26'                  | 72<br>40  | 160<br>91  | 249<br>141 | 334<br>190 | 420<br>240  | 519<br>296  | 618<br>353   | 714<br>407  | 809<br>460  | 904<br>515  | 999<br>569  | 3<br>6        |
| Granulated Superphosphat | 26'                  | 82<br>47  | 169<br>96  | 255<br>146 | 382<br>217 | 507<br>289  | 626<br>357  | 745<br>416   | 942<br>528  | 1139<br>650 | 1337<br>762 | 1534<br>875 | 3<br>6        |
| Potassium Salt           | 13'                  |           |            | 262<br>150 | 872<br>500 | 1490<br>849 | 1839<br>935 | 2187<br>1246 | 1382        | 1653        | 1653        | 1788        | 3<br>6        |
| Rye                      | 26'                  | 89<br>50  | 173<br>98  | 256<br>146 | 338<br>193 | 419<br>239  | 501<br>286  | 582<br>332   | 768<br>386  | 773<br>440  | 943<br>495  | 963<br>548  | 3<br>6        |
| Wheat                    | 26'                  | 71<br>40  | 138<br>79  | 205<br>116 | 270<br>154 | 335<br>191  | 401<br>229  | 466<br>265   | 542<br>309  | 619<br>352  | 754<br>396  | 770<br>439  | 3<br>6        |
| Rice                     | 26'                  | 144<br>81 | 278<br>159 | 413<br>234 | 545<br>311 | 676<br>385  | 808<br>461  | 939<br>535   | 1094<br>623 | 1248<br>710 | 1521<br>799 | 1554<br>885 | 3<br>6        |
| Sudan Grass              | 26'                  | 95<br>54  | 184<br>105 | 273<br>155 | 360<br>206 | 447<br>254  | 543<br>305  | 621<br>354   | 723<br>412  | 825<br>470  | 1006<br>528 | 1029<br>585 | 3<br>6        |
| Lespedeza                | 26'                  | 56<br>32  | 109<br>62  | 161<br>91  | 212<br>122 | 264<br>150  | 315<br>180  | 366<br>209   | 427<br>243  | 487<br>277  | 594<br>312  | 607<br>310  | 3<br>6        |

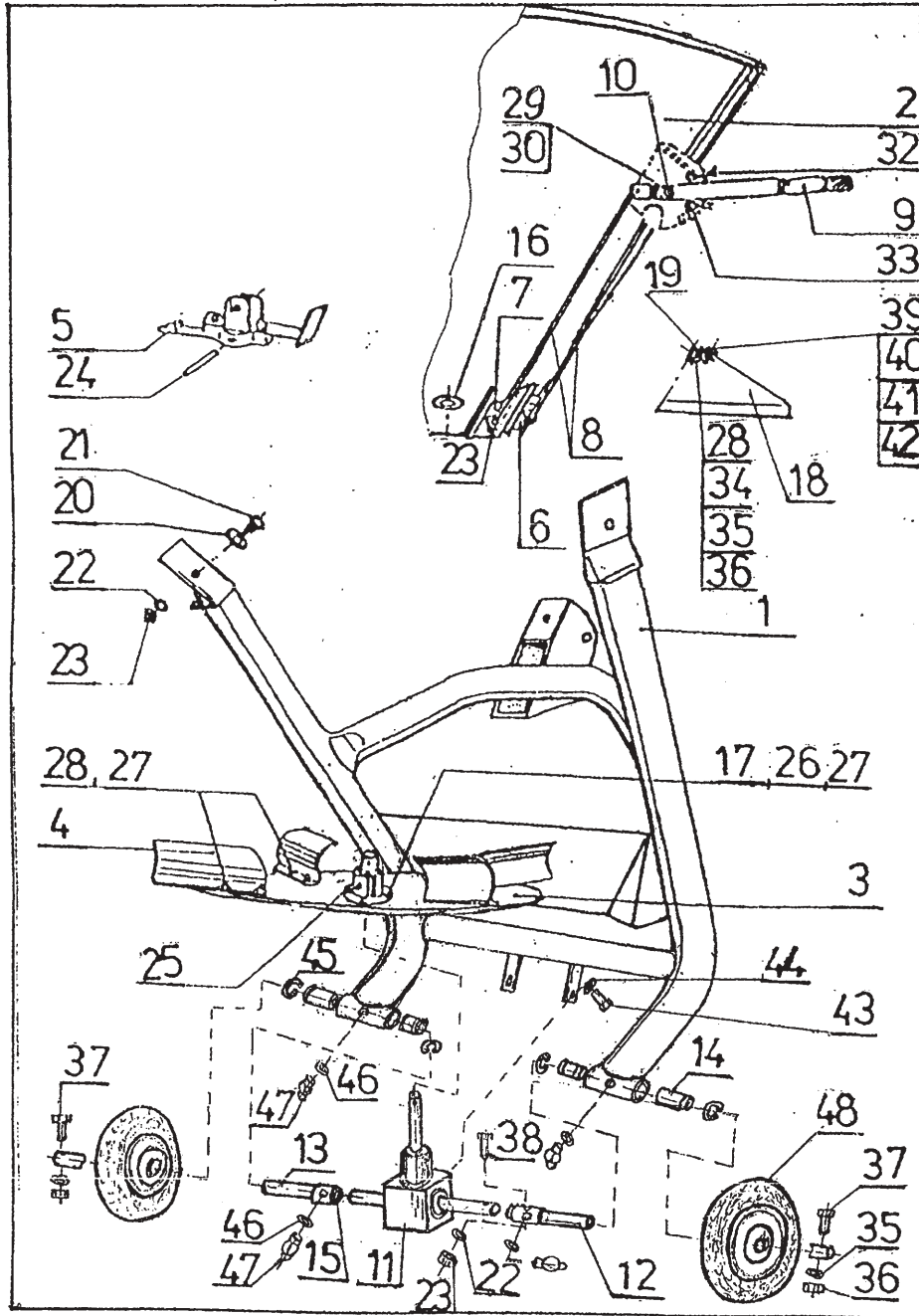
## Seed chart kg/ha.

| Material                 | Spreading width (m) | SETTING |     |     |     |      |      |      |      |      |      |      | Speed km/h |
|--------------------------|---------------------|---------|-----|-----|-----|------|------|------|------|------|------|------|------------|
|                          |                     | 4       | 5   | 6   | 7   | 8    | 9    | 10   | 11   | 12   | 13   | 14   |            |
| Ammonium Nitrate         | 8                   | 106     | 205 | 304 | 402 | 499  | 596  | 693  | 807  | 920  | 1033 | 1146 | 5          |
|                          |                     | 60      | 117 | 173 | 229 | 284  | 340  | 395  | 460  | 524  | 589  | 653  | 10         |
| UREA                     | 8                   | 64      | 143 | 222 | 298 | 375  | 463  | 552  | 637  | 722  | 807  | 892  | 5          |
|                          |                     | 36      | 81  | 126 | 170 | 214  | 264  | 315  | 363  | 411  | 460  | 508  | 10         |
| Granulated Superphosphat | 8                   | 73      | 151 | 228 | 341 | 453  | 559  | 665  | 841  | 1017 | 1194 | 1370 | 5          |
|                          |                     | 42      | 86  | 130 | 194 | 258  | 319  | 3719 | 471  | 580  | 680  | 781  | 10         |
| Potasium Salt            | 4                   |         |     | 234 | 783 | 1330 | 1642 | 1952 |      |      |      |      | 5          |
|                          |                     |         |     | 134 | 446 | 758  | 835  | 1112 | 1234 | 1354 | 1476 | 1596 | 10         |

## PULL TYPE SPREADER GEARBOX COMPLETE.

| Pos. No. | Description                  | Part Number   | Qty. |
|----------|------------------------------|---------------|------|
| 1        | Gearbox complete             | RS/02-007/0   | 1    |
| 2        | Horizontal shaft             | RS/02-001/0   | 1    |
| 3        | Spacing sleeve               | RS/02-002/0   | 1    |
| 4        | Gear shaft                   | RS/02-003/0   | 1    |
| 5        | Gearwheel                    | RS/02-004/0   | 1    |
| 6        | Cover complete               | RS/02-005/0   | 2    |
| 7        | Housing for bearing          | RS/02-006/0   | 1    |
| 8        | Body                         | 0500/01-001   | 1    |
| 9        | Spacing sleeve               | 2029/06-005/0 | 1    |
| 10       | Gearbox cover                | 2042/00-005/0 | 1    |
| 11       |                              |               |      |
| 12       | Bolt N8x20-5.8-B Fe/Zn12 c   | PN-85/M-82105 | 12   |
| 13       | Spring washer Z8.2 Fe/Zn 12c | PN-77/M-82008 | 12   |
| 14       | Sealing ring A25x40x7        | PN-72/M-86964 | 2    |
| 15       | Prism key 8x7x25             | PN-77/M-85005 | 1    |
| 16       | Ball bearing 6007            | PN-86/M-86100 | 2    |
| 17       | Taper bearing 30205          | PN-86/M-86200 | 2    |
| 18       | Circlip W 62                 | PN-81/M-85111 | 2    |
| 19       | Circlip z 35                 | PN-81/M-85111 | 1    |
| 20       | Sealing ring A35x62x7        | PN-72/M-86964 | 1    |





| Pos. No. | Description                   | Part Number      | Qty. |
|----------|-------------------------------|------------------|------|
| 1        | Frame complete welded         | RS/01-00-000     | 1    |
| 2        | Hopper                        | RS/04-00--00     | 1    |
| 3        | Spreading plate               | 2042/08-00-001   | 1    |
| 4        | Vane                          | 2042/08-00-002   | 1    |
| 5        | Belt stretcher                | 2029/04-00-002/0 | 1    |
| 6        | Left damper                   | 2029/00-00-005   | 1    |
| 7        | Right damper                  | 2029/00-00-006   | 1    |
| 8        | Regulation lever              | 2042/00-00-003   | 2    |
| 9        | Damper lever                  | 2042/00-00-004   | 2    |
| 10       | Epileptic knob                | 2029/00-05-00    | 1    |
| 11       | Gearbox complete              | RS/02-00-000     | 1    |
| 12       | Right axle shaft (half shaft) | RS/00-00-100     | 1    |
| 13       | Left axle shaft (half shaft)  | RS/00-00-200     | 1    |
| 14       | Bearing sleeve                | RS/00-00-001     | 4    |
| 15       | Axle shaft sleeve             | RS/00-00-002     | 2    |
| 16       | Spacing washer                | 2029/00-00-007   | 1    |
| 17       | Hub plate                     | 2029/07-00-002   | 1    |
| 18       | Cover plate                   | 2012/00-00-003   | 1    |
| 19       | Cover support                 | 2012/00-00-009   | 3    |
| 20       | Special washer                | 2042/00-00-007   | 3    |
| 21       | Bolt                          | PN-89/M-82406    | 3    |
| 22       | Spring washer                 | PN-77/M-82008    | 4    |
| 23       | Nut                           | PN-86/M-82144    | 8    |
| 24       | Spring pin/rolled pin         | PN-89/M-85023    | 1    |
| 25       | Spring pin/rolled pin         | PN-89/M-85023    | 1    |
| 26       | Bolt                          | PN-85/M-82105    | 4    |
| 27       | Selflocking nut               | PN-85/M-82175    | 12   |
| 28       | Bolt                          | PN-85/M-82105    | 11   |
| 29       | Bolt                          | PN-89/M-82406    | 1    |
| 30       | Washer                        | PN-78/M-82005    | 1    |
| 32       | Split pin                     | PN-ISO/7072      | 1    |
| 33       | Split pin                     | PN-76/M-82001    | 1    |
| 34       | Round washer                  | PN-78/M-82005    | 3    |
| 35       | Spring washer                 | PN-77/M-82008    | 5    |
| 36       | Nut                           | PN-86/M-82144    | 5    |
| 37       | Bolt                          | PN-85/M-82101    | 2    |
| 38       | Bolt                          | PN-85/M-82101    | 1    |
| 39       | Bolt                          | PN-78/M-82105    | 3    |
| 40       | Round washer                  | PN-78/M-82105    | 3    |
| 41       | Spring washer                 | PN-78/M-82008    | 3    |
| 42       | Nut                           | PN-86/M-82144    | 3    |
| 43       | Bolt                          | PN-85/8-82-105   | 2    |
| 44       | Spring washer                 | PN-78/M-82008    | 2    |
| 45       | Compression ring              | PN-81/04-85111   | 4    |
| 46       | Fibreboard gasket             | PN-69/M-86970    | 4    |
| 47       | Grease nipple                 | PN-76/M-86002    | 4    |
| 48       | Rubber wheel                  |                  | 2    |



**BALTIC KORN A/S**

KÄHLERSBAKKEN 14, DK-4700 NAESTVED  
DENMARK  
PHONE: (45) 55 73 07 77. FAX: (45) 55 73 07 89

E-mail: [baltic@baltimatic.com](mailto:baltic@baltimatic.com)

# *Parts*

BALTIC PARTS DISTRIBUTOR

**NORTH AMERICA**  
***Global Parts Supply***



Mailing Address:  
P.O.Box 733  
Hermitage, TN 37076  
USA

Shipping Address:  
3710 Plantation Drive  
Hermitage, TN 37076  
USA

Telephone: 615/884-8733. Fax: 615/884-8725.

E-mail: [globalpartssupply@yahoo.com](mailto:globalpartssupply@yahoo.com)

Toll-free parts order line:

**1-888-914-0777**