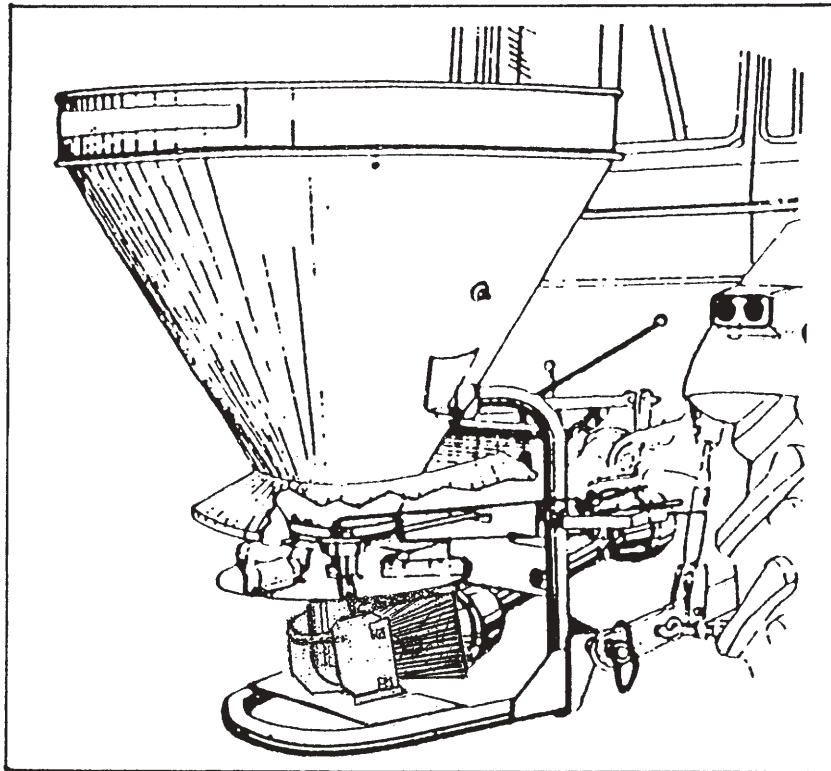


BALTIMATIC® Fertilizer Spreader Model 80



Instruction & Spare Parts

Jan2005



BALTIC KORN A/S

KAEHLERSBAKKEN 14, DK-4700 NAESTVED.
DENMARK.
Phone:(+45) 55 73 07 77. Fax:(+45) 55 73 07 89

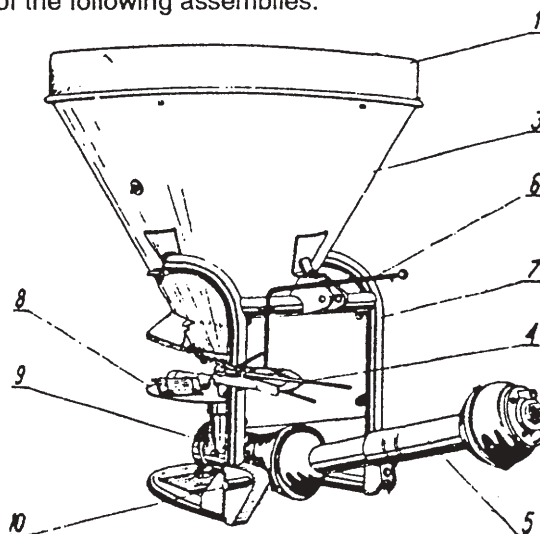
E-mail: baltic@baltimatic.com

CONSTRUCTION AND USE.

The BALTIMATIC 80 consists of the following assemblies:

1. Extension ring (optional)
3. Hopper
4. Flow adjustment gear
5. P.T.O. shaft
6. Locking lever
7. Frame
8. Spreader disc
9. Gear box
10. Lift pins.

Fig. 1.

**FLOW ADJUSTMENT GEAR.**

Volume is selected by means of levers 4 and 5 (fig. 2). They displace two slidable plates gradually opening the aperture from 0 to 24 on the scale. They are also used to change the position of the aperture (fig. 3).

Constant dosage with variable position of the aperture is obtained by means of adding figures on the scale. E.g. upper handle at 6 and lower at 10=16 and upper handle at -4/lower at 20=16.

Once positions are selected secure by means of locking lever 2 (fig. 2).

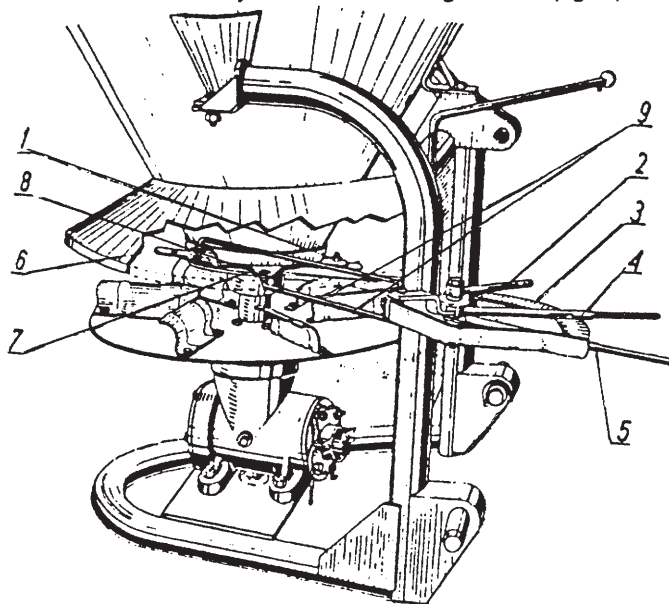
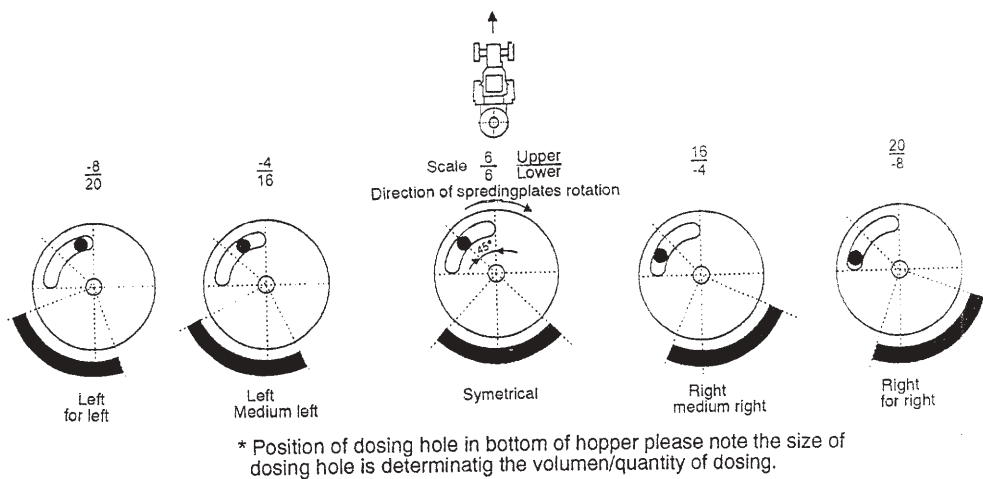


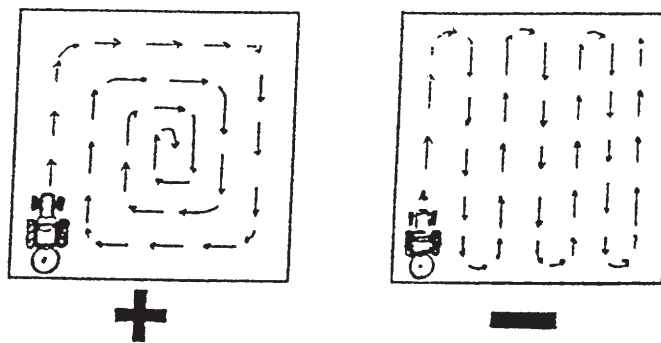
Fig. 2.

Fig. 3.
Direction of spreading and position of levers.



Volumen of spreading is adjusted by increasing/decreasing size of dosing hole.

Fig. 4.



It is recommended to work around the field and not up and down (fig.4)

OPERATION AND MAINTENANCE.

During operation, disc should be about 700–800 mms (2'7") above the ground.

A forward tilt increases spreading width; a rearward tilt decreases it.

Allways operate at 540 R.P.M. on the P.T.O.

Don't use lumpy and humid fertilizer, i.e. above 12% humidity.

Hopper should not be used to transport material to the field.

It is recommended to work around the field and not up and down (fig.4)

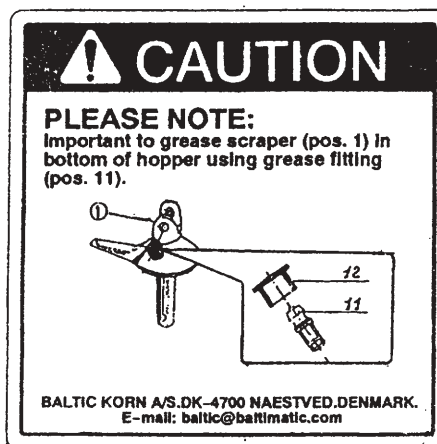
DAILY INSPECTION.

In order to obtain proper operation and to prevent damages to the unit check carefully:

- all bolted connections
- fastening of spreader disc and vanes
- conditions of agitator.
- that scraper and gearbox is greased
- grease scraper regulary

After operation clean and wash the unit carefully as fertilizer is corrosive.

Spreader should be stored sheltered.

**POST SEASONAL INSPECTION.**

Unit carefully cleaned and washed.

Any damage to the paintwork repaired.

Any worn or damaged parts replaced or repaired.

Oil in gearbox should be changed once a year.

Before filling with new oil, wash gearbox through with kerosine.

Gearoil (type 90 weight) 0,45 litre (= 15 fluid ounces).

Grease scraper.

PRINCIPLES FOR WORKING OUT SOWING TABLES.

Fill hopper to the rim. Set adjustment levers at quantity desired.

Drive distance required to cover 1/10 of a hectare (or 1.000 m2) at the tractor speed desired and at 540 R.P.M. on P.T.O.

Measure consumed weight when filling up hopper again.

WARNING!!!

DURING OPERATION STAY AWAY FROM MOVING PARTS: DISC, AGITATOR AND P.T.O. SHAFT.

4.

EXAMPLE:

You wish to spread 350 lbs./acre – 32' wide:
 32'=9.144 metres effective spreading width.
 Drive 1,000 –9.144=109 metres=119 yards.
 Volume per acre is consumption multiplied by 4.047.
 If consumed weight is not what is wanted, operate adjustment levers until correct quantity is obtained in repeated tests.

STATIONARY TEST.

Pour a quantity of e.g. seeds into hopper. Select an estimated aperture.
 Cover a level surface with plastic (e.g. 60'x40'–18x12 metres).
 Start tractor and let P.T.O. operate at 540 R.P.M. in e.g. 2 minutes.
 On the tractor meter you may now read at which speed to run in gear desired.
 Now measure total spreading width. Effective spreading width is 65% abt. of total width. Overlapping will compensate (fig. 5).
 Collect material and weight it. Insert findings in the following formula:

$$\frac{\text{kgs.} \times 600 \text{ (lbs} \times 498\text{)}}{\text{minutes} \times \text{effective width} \times \text{speed}} = \text{kgs per hectare (lbs per acre)}$$

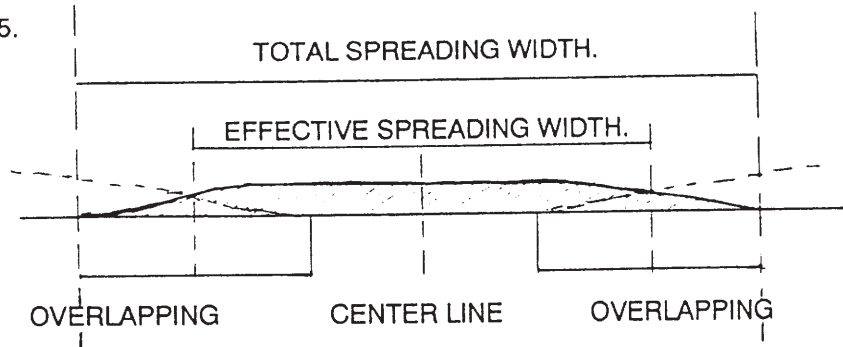
EXAMPLE:

$$\frac{100 \text{ kgs} \times 600}{2 \text{ min} \times 11 \text{ metres} \times 8 \text{ kph}} = 341 \text{ kgs/hectare}$$

$$\frac{220 \text{ lbs} \times 498}{2 \text{ min} \times 36 \text{ feet} \times 5 \text{ mph}} = 304 \text{ lbs/acre}$$

If consumed weight is not what is wanted, operate adjustment levers until correct quantity is obtained in repeated tests.
 When you have reached the result you want; make a note of details for future reference.

Fig. 5.

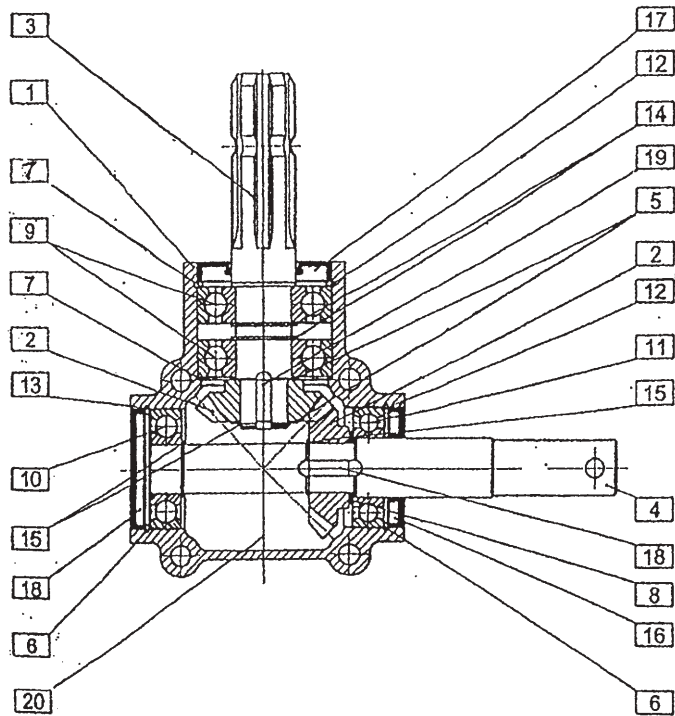


5.

GEARBOX.

Pos. No.	Description	Part number	Quantity
1	Gearbox housing	MB35-20.01	1
2	Gear wheel Z-17	MB35-20.03	2
3	Input shaft	MB30-10.01	1
4	Output shaft	MB30.02-20.01	1
5	Washers 0.1; 0.15; 0.5	MB30-10.03/01	
	-	MB30-10.03/02	1 cpl.
	-	MB30-10.03/03	
6	Washers 0.1; 0.15; 0.5	MB35-30.01/01	
	-	MB35-30.01/02	1 cpl.
	-	MB35-30.01/03	
7	Washers 0.1; 0.15; 0.5	MB09-30.07/01	
	-	MB09-30.07/02	1 cpl.
	-	MB09-30.07/03	
8	Spacing washer 0.5	MB30-10.03/03	2
9	Bearing 6306	PN-70/M-86100	2
10	Bearing 6305	PN-70/M-86100	1
11	Bearing 6206	PN-70/M-86100	1
12	Circlip 72w	PN-88-/M-85111	1
13	Circlip 62w	PN-88-/M-85111	2
14	Circlip 30z	PN-88-/M-85111	2
15	Circlip 25z	PN-88-/M-85111	3
16	Sealing ring A30x62x7	PN-87/M-86964	1
17	Sealing ring A35x72x10	PN-87/M-86964	1
18	Sealing cover B1 62x8		1
19	Key B8x7x21	PN-70/M-85005	2
20	Semi liquid grease EPX-000		0,15 kg

24.10.2003.
Jan2005



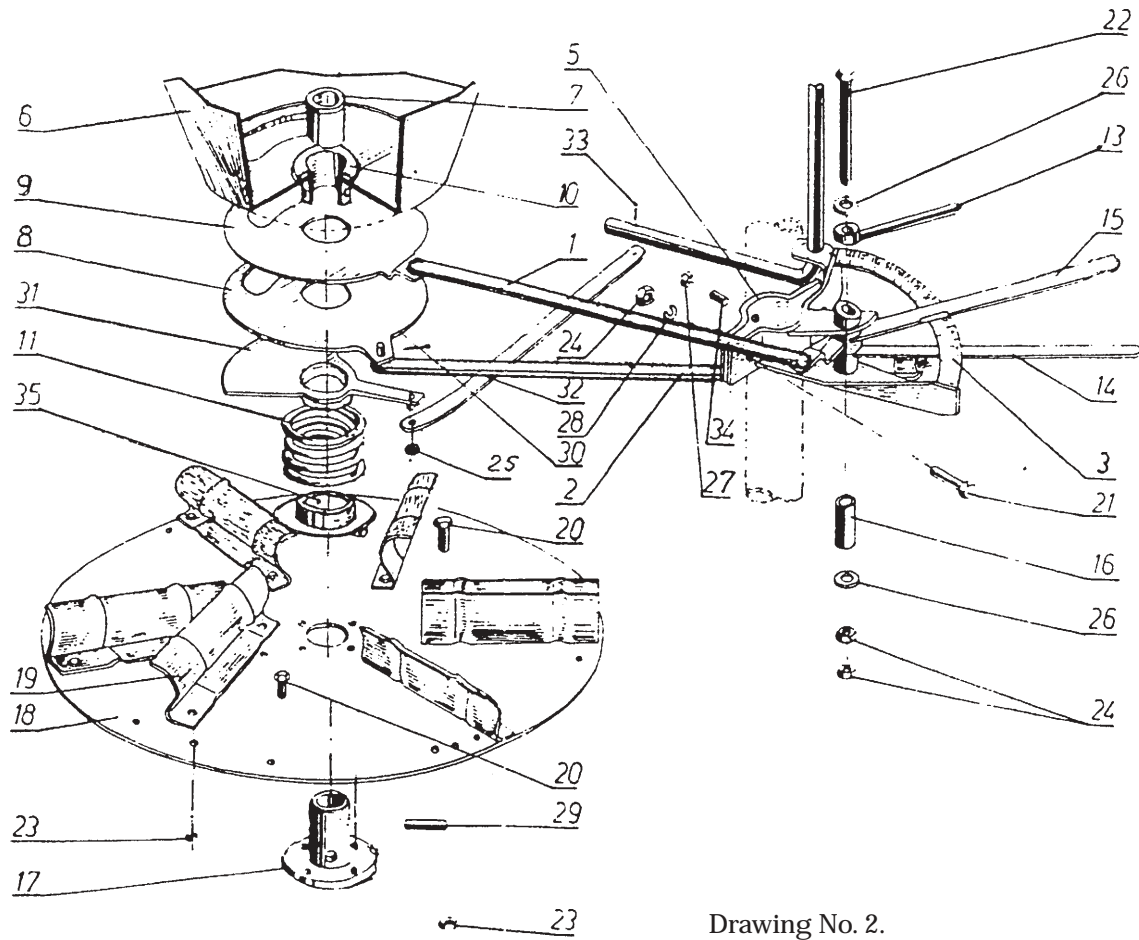
In case of gear replacement ALWAYS replace two gears pos. 2 simultaneously.

6.

FERTILIZER DISTRIBUTOR AND SOWING ADJUSTMENT APPLIANCE.

No.	Description	Spare part No.	Qty.
1	Upper pull rod, assy.	2012/00-073/0	1
2	Lower pull rod, assy.	2012/00-074/0	1
3	Scale, complete	2012/04-055/0	1
5	Frame clamping band	2012/00-064/0	1
6	Fertilizer box - rolled	2012/10-006/0	1
7	Scraper bushing	2012/02-041/0	1
8	Slidable plate, lower	2012/02-029/0	1
9	Slidable plate, upper	2012/02-036/0	1
10	Bottom bushing assy.	2012/10-002/0	1
11	Compression spring roll. hopper	2012/10-005/0	1
13	Interlocking lever, assy.	2012/04-042/0	1
14	Lower lever, assy.	2012/04-043/0	1
15	Upper lever, assy.	2012/04-044/0	1
16	Interlocking sleeve	2012/04-047/0	1
17	Spreader plate hub	2012/05-003/1	1
18	Spreader plate	2011/02-043/1	1
19	Plate vane	2011/02-045/1	6
20	Bolt M 8x20-4.8-III	PN-74/M-82105	16
21	Bolt M 10x35-4.8-III	PN-74/M-82105	2
22	Bolt M 10x80-4.8-III	PN-74/M-82101	1
23	Nut AM8-8-Cd8	PN-85/M-82175	16
24	Nut M 10-4-III	PN-75/M-82144	4
25	Round washer 8.4	PN-78/M-82005	4
26	Washer 10.5	PN-78/M-82005	2
27	Nut M8x4-III	PN-75/M-82144	1
28	Spring washer Z 10.2	PN-77/M-82008	2
29	Rolled pin 10 n-10x40	PN-89/M-85023	2
30	Split pin S-2x14	PN-76/M-82001	5
31	Lock key plate, rolled hopper	2012/10-003/0	1
32	Pull rod	2012/00-063/0	1
33	Split pin S-5x28	PN-76/M-82001	1
34	Screw M 8x20	PN-62/M-82273	1
35	Retaining ring rolled hopper	2012/10-004/0	1

28.12.99.

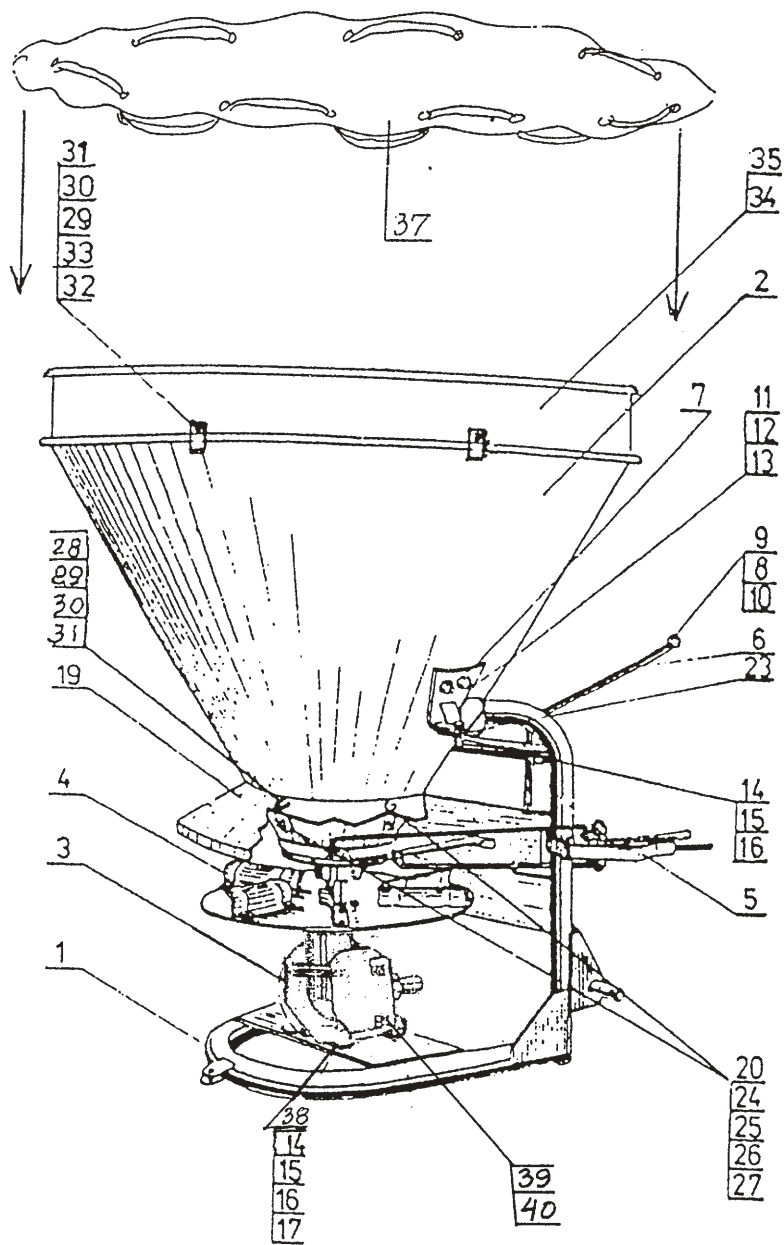


Drawing No. 2.

FERTILIZER MOUNTED DISTRIBUTOR.

Pos. No.	Description	Spare part No.	Qty.
1	Frame assy. welded	2012/01-041/0	1
2	Fertilizer box, rolled hopper	2012/10-006/0	1
3	Gearbox	2012/09-001/4	1
4	Spreader plate with vanes	2012/05-004/0	1
5	Distribution adjustment	2012/04-040/0	1
6	Lever, assy. welded	2012/00-062/0	1
7	Adjusting plate complete	2012/02-039/0	3
8	Extension rod	2012/00-055/0	1
9	Globular knob, black B-32	PN-63/M-56170	1
10	Bolt M6x12-4.8-I	PN-74/M-82105	1
11	Bolt M10x30-4.8-III	PN-74/M-82406	6
12	Spring washer Z-10.2	PN-77/M-82008	6
13	Nut M-10-4-III	PN-75/M-82144	6
14	Bolt M12x35-4.8-III	PN-74/M-82105	3
15	Washer 13 Fe/Zn 12c	PN-M-82056	7
16	Nut M 12-4-III Fe/Zn 12c	PN-75/M-82144	10
17	Spring washer Z-12.2 Fe/Zn 12c	PN-/M-82008	4
19	Shield	2012/00-071/0	1
20	Screen bracket	2012/00-072/0	3
23	Shield bracket	2012/00-045/0	
24	Bolt M8x12-4.8-III	PN-74/M-82105	3
25	Washer 8.4	PN-78/M-82005	3
26	Spring washer Z-8.2	PN-77/M-82008	3
27	Nut M 8.4-III	PN-75/M-82144	3
28	Bolt M6x25-4.8-III	PN-74/M-82105	3
29	Washer okr. 6.4	PN-78/M-82005	6
30	Spring washer Z-6.1	PN-79/M-82008	3
31	Nut M 6-4-III Z-6.1	PN-75/M-82144	3
32*	Topring clamp rolled hopper	2012/10-007/0	6
33*	Bolt M6x16-4.8-c Fe/Zn 12c	PN-85/M-82105	9
34*	Extension ring I - 120 mm 3 sect.	2012/02-066/0	1
35*	Extension ring II - 240 mm 3 sect.	2012/02-063/0	1
37*	Tauparline cover		
38	Bolt M12x45-4.8 C Fe/Zn 12 c	PN/M-82105	4
39	Gearbox holder	2012/03-01-000.20	1
40	Bolt M12x25-4.8 C Fe/Zn 12 c	PN-85/M-82105	4

* = optionals.
Jan2005



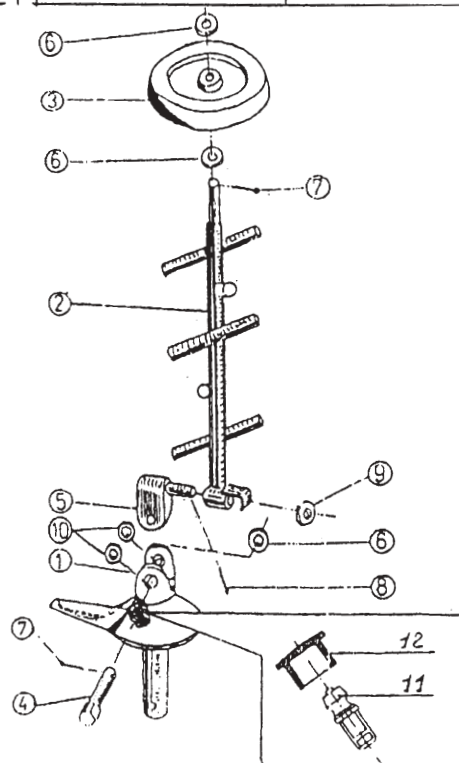
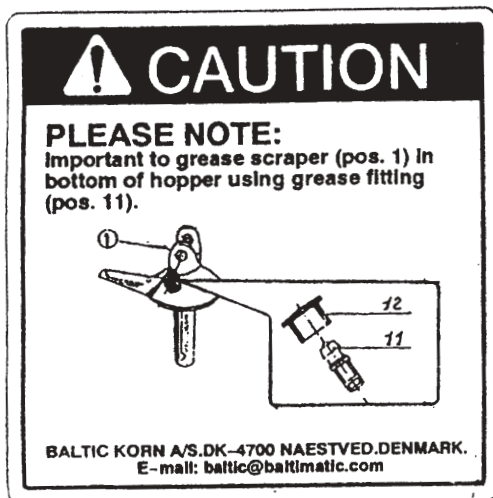
Drawing No. 3.

WHEEL TYPE AGITATOR.

No.	Description	Spare part No.	Qty.
1	Scraper complete	2012/06-052/0	1
1 *	Scraper cpl. w/grease nipple	2012/06-060/0	1
2 *	Agitator arm	2012/06-056/0	1
3 *	Wheel for agitator	2012/06-055/0	1
4 *	Universal pin	2012/06-051/0	1
5 *	Connector	2012/08-002/0	1
6 *	Washer for pin 12.5	PN-63/M-82004	3
7 *	Split pin S-Zn 3.2x20	PN-76/M-82001	2
8 *	Split pin S-Zn 4x25	PN-75/M-82001	1
9 *	Washer for pin 16.5	PN-63/M-82004	1
10 *	Bushing for scraper	2012/06-033/0	2
*	Wheel type agitator pos. 2-10 excl. scraper	2012/06-058/0	1
11 *	Grease nipple	PN-76/M-88002	1
12 *	Cap	GPN 300 F 12	1
	Assembling bag without agitator	2012/04-080/0	1
	Assembling bag with agitator	2012/04-080/1	1
	Small assembling bag with bolts/nuts/washers/pins	2012/00-081/0	1
*	Stickers with seed chart	2012/13-013/0	1

* = optionals.

28.02.96./
23.11.98./
28.12.99.
22.01.01.

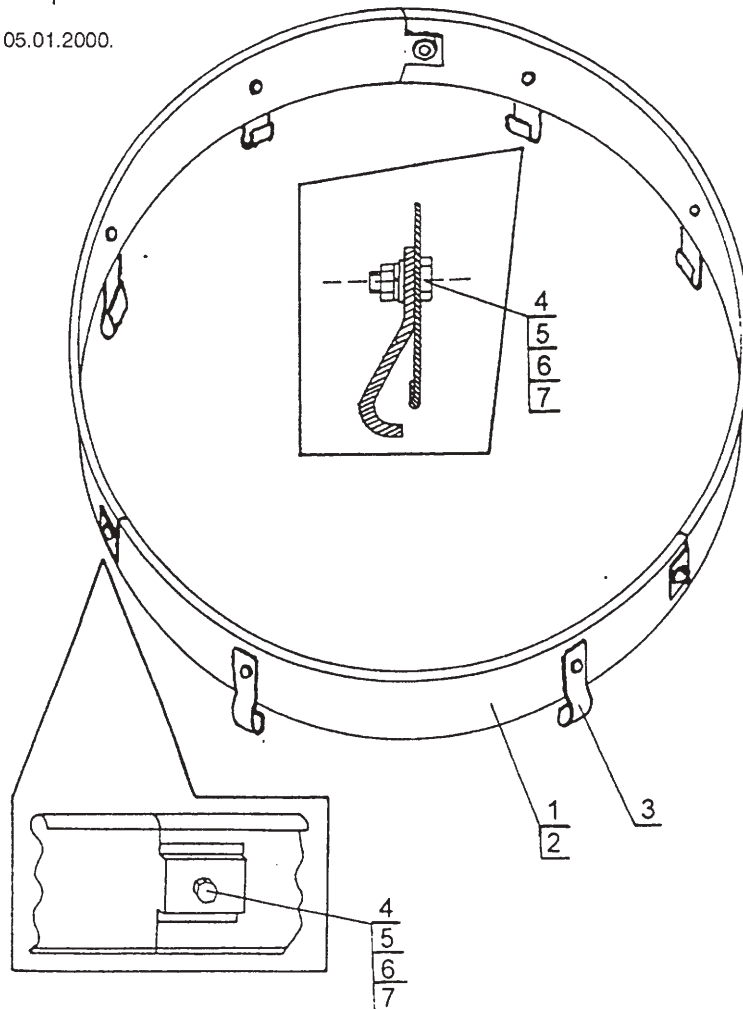


3 SECTION EXTENSION RING

Pos.No	Description	Spare part No.	Qty.
1*	Extension topring I 120 mm 3 sect.	2012/02-066/0	
2*	Extension topring II 240 mm 3 sect.	2012/02-063/0	
3*	Topring clamp	2012/10-007/0	6
4*	Bolt M6x16-4,8-C-Fe/Zn 12c	PN-85/M-82105	9
5*	Nut M6-4-C-Fe/Zn 12c	PN-86/M-82144	9
6*	Washer 6,4-Fe/Zn 12c	PN-78/M-82005	9
7*	Springwasher 6,1-Fe/Zn	PN-79/M-82008	9

*= optionals

05.01.2000.



DOSING DIAGRAM.

Fertilizer's type 26%	NITROGEN (0) PHOSPHOUROS (5) POTASH (12) MAGNESIUM (5/401) GRANULATED			NITROGEN (21) PHOSPHOUROS (4) POTASH (10) GRANULATED			LIMID AMMONIUM NITRATE GRANULATED		
Working speed 4,8 m/h									
Working width feet	49	42	32	39	36	32	36	29	26
Adjustment on scale upper/lower handle	Quantity lbs/acre			Quantity lbs/acre			Quantity lbs/acre		
3/3	9,4	11,0	14,4	10,3	11,3	12,6	9,0	11,0	13,0
4/4	22,6	26,5	34,6	26,8	29,4	33,0	24,1	29,4	35,0
5/5	41,5	48,5	63,5	45,4	49,7	55,9	39,9	48,6	58,0
6/6	66,0	77,7	101,6	76,4	83,7	94,0	68,6	83,4	100,0
8/6	106,0	125,0	163,5	117,0	127,7	144,0	107,0	130,0	156,3
10/6	135,4	159,6	209,0	153,5	168,0	188,8	138,7	168,0	202,6
12/6	175,0	206,6	269,8	194,8	213,0	239,7	200,0	217,5	261,0
14/6	215,8	254,4	332,5	242,0	265,0	298,0	222,5	270,1	324,8
16/6	255,5	300,5	393,0	283,5	310,0	349,0	259,4	315,7	378,8
17/7	299,5	352,4	460,9	324,2	355,0	398,6	301,6	367,0	440,5
18/8	333,7	392,6	513,0	369,6	405,0	454,8	343,9	418,0	516,7
19/9	374,4	440,5	575,9	411,6	451,0	506,6	377,0	458,9	550,6
20/10	415,0	488,4	638,7	454,2	497,7	559,0	419,0	510,0	612,0
21/11	444,0	522,1	682,8	497,0	544,6	611,6	444,9	540,7	649,7
22/12	495,5	583,0	762,4	545,0	597,4	670,9	500,8	609,0	731,0
22/14	522,0	614,0	803,0	553,0	606,0	681,0	531,0	646,0	775,0
22/16	559,4	658,0	860,6	625,0	684,9	769,0	579,0	704,8	845,8

DOSING DIAGRAM FERTILIZER.

Material	Work. width feet	Work. speed M/h	Dose lbs/acre with scale adjustment upper/lower handle							
			2:2	4:4	6:6	8:8	10:10	12:12	14:14	16:16
Fertilizer 10-10-10 5-10-10	39	5		48,0	95,9	161,0	212,7	264,5	328,4	395,2
Fertilizer 16-4-8 14-10-8	40	5		38,9	81,0	132,6	184,5	232,8	290,3	342,4
Fertilizer 30-3-5	33	5		40,3	80,5	127,0	188,6	225,0	255,0	298,0
Ammonium Nitrate 34-0-0	33	5	19,3	69,1	137,6	200,2	302,7	358,1	423,8	
Pelleted Lime	36	5				211,4	277,2	342,2	412,0	473,5

03.02.95.

DOSING DIAGRAM (1)

Material	Work. width feet	Work. speed M/h	Dose lbs/acre with scale adjustment upper/lower handle													
			1:1	2:2	3:3	4:4	5:5	6:6	7:7	8:8	9:9	10:10	12:12	14:14	17:17	20:20
Wheat	39	2,5 4,9 7,4		14,9 7,5 5,0	26,2 13,1 8,7		76,5 28,3 25,5	119,2 59,6 39,8		94,3 91,7 61,1	219,4 109,7 73,2		327,5 163,8 109,2	408,1 204,1 136,0	490,4 245,1 163,5	544,7 272,3 181,6
Wheat, Rye Triticale	36	5,0				33,9		70,6		112,0		156,0				
Oats	39 29	2,5 4,9 7,4 5,0		3,0 1,5 1,0	8,1 4,1 2,7		31,8 15,9 10,6	55,7 27,9 18,6 29,6		104,4 52,2 34,8 51,8	124,6 62,3 41,6		193,8 96,9 64,8 102,0	236,0 118,0 78,7	295,0 147,6 98,3	333,8 166,9 111,3
Barley	29	5,0				18,0			50,2	87,4		125,2				
Soybean	40	5,0		4,4		25,7	41,9	58,5		96,0						
Lespedeza Serecia	32 27	2,5 4,9 7,4 5,0		15,0 7,0 5,0	41,0 21,0 14,0		77,0 38,0 26,0	104,0 52,0 35,0		150,0 75,0 50,0						
Alfalfa	26 25	2,5 4,9 7,4 5,0		30,0 15,0 10,0 12,7	82,0 41,0 27,0 23,8		154,0 77,0 51,0	207,0 104,0 69,0		300,0 150,0 100,0						
Redclover	26 25	2,5 4,9 7,4 5,0		29,4 14,7 9,8 12,7	82,8 41,4 27,6 23,8		154,3 77,2 51,4	207,7 103,9 69,2		299,8 150,0 100,0						
Rye grass	16	2,5 4,9 7,4		4,0 2,0 1,3	10,4 5,2 3,5		52,1 26,0 17,5	88,1 44,1 29,4		159,1 79,6 53,0	200,8 100,4 67,0					

30.05.95.


DOSING DIAGRAM (2)

Material	Work. width feet	Work. speed M/h	Dose lbs/acre with scale adjustment upper/lower handle													
			1:1	2:2	3:3	4:4	5:5	6:6	7:7	8:8	9:9	10:10	12:12	14:14	17:17	20:20
Ryegrass, Tall Fescue	15	5,0				17,6	28,4	45,2	61,0	81,6		123,9	168,0			
Fescue	16	4,0		2,0	5,0		26,0	44,0		80,0	100,0					
Bromegrass	20	5,0					7,6	14,2	20,4	33,7		49,3	65,8	85,6		
Orchard- grass	17	5,0			1,7	4,4		14,9		31,8		46,3	65,4			
Switch- grass	23	5,0	2,2	12,9	28,0	61,9		110,4								
Sorghum Sudan Grain	38	5,0		10,4	20,9	37,8	48,0	72,4								
Sudan- grass	34	5,0		8,2	17,6	37,3	59,3	77,0								
Millet Pearl Proso	30	5,0		15,2	30,5	57,9										
Sun Flower	26	5,0		2,0		14,6		38,2	67,0							

30.05.95.

Warning label situated on hopper of machine.
Replacement labels available NO CHARGE – on request.

! **DANGER**



BALTIMATIC
BALTIMATIC KORN A/S · DK-4700 NAESTVED · DENMARK
E-mail: baltic@baltimatic.com

HAZARDOUS MOVING PARTS

1. Stop tractor and PTO before unclogging servicing or performing maintenance.
2. PTO shaft, agitator, scraper, and distribution disc can entangle clothing and cause serious injury.
3. Do not place hands or objects into the hopper with the spreader/seeder operating.
4. Do not allow riders on this equipment.

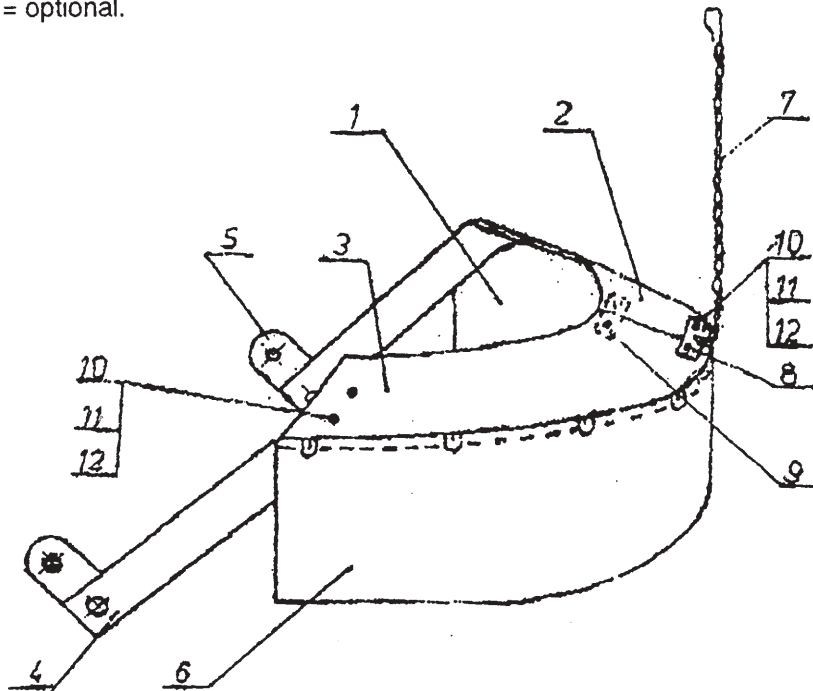
**SERIOUS INJURY OR DEATH
MAY RESULT.**

SCREEN FOR SAND/SALT CPL. (OPTIONAL).

Pos. No.	Description	Spare part No.	Qty.
1*	Screen for sand/salt (pos. 1-12)	2012/18-001/0	1
2*	Right metal screen	2012/18-002/0	1
3*	Left metal screen	2012/18-003/0	1
4*	Left arm cpl.	2012/18-004/0	1
5*	Right arm cpl.	2012/18-005/0	1
6*	Soft screen	2012/18-006/0	1
7*	Chain cpl.	2012/18-007/0	1
8*	Bottom hitch welded	2012/18-008/0	1
9*	Mounting bracket	2012/18-009/0	1
10*	Bolt M6x16-5.8-B-Fe/Zn-12c	PN-85/M-82105	8
11*	Nut M6-5-B-Fe(Zn 12c	PN-86/M-82144	8
12*	Spring washer Z6.2-Fe/Zn 12c	PN-77/M-82008	8

29.11.02.

* = optional.



Parts

BALTIC PARTS DISTRIBUTOR

NORTH AMERICA *Global Parts Supply*



Mailing Address:
P.O.Box 733
Hermitage, TN 37076
USA

Shipping Address:
3710 Plantation Drive
Hermitage, TN 37076
USA

Telephone: 615/884-8733. Fax: 615/884-8725.
E-mail: globalpartssupply@yahoo.com

Toll-free parts order line:

1-888-914-0777