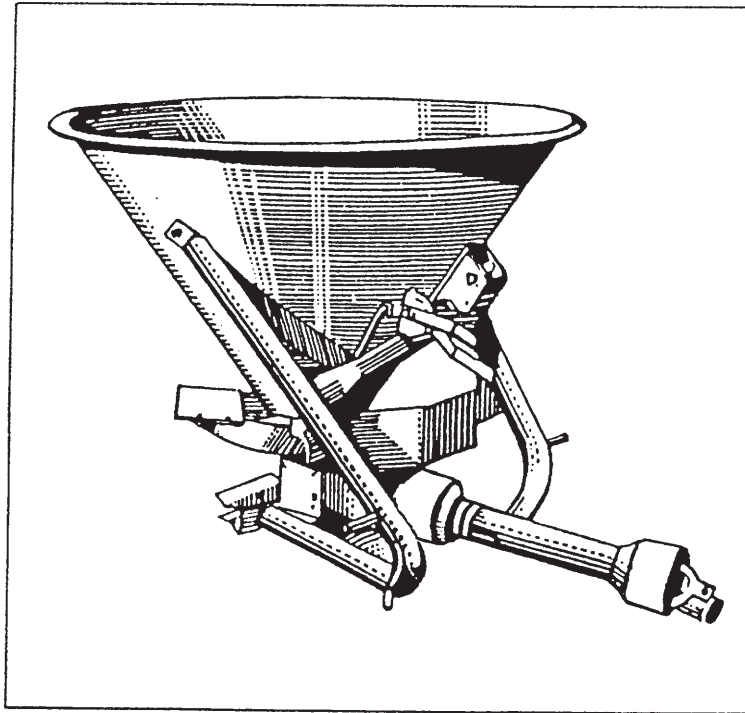


SPREADMASTER®

Fertilizer Spreader and Seeder



Instructions & Spare Parts



ATTENTION SAFETY RULE!

1. Read instruction manual and make sure all operators are knowledgeable on correct operation of equipment and familiar the Safety Rules of Operation.
2. Never allow riders on equipment.
3. When operating on rough or uneven terrain, use extreme caution and a safe operating speed.
4. When spreading seed or fertilizer, always use safety goggles.
5. Never operate equipment when anyone is within 50 feet of seeder/spreader.



BALTIC KORN A/S

KÄHLERSBAKKEN 14, DK-4700 NAESTVED
DENMARK
PHONE:(45) 55 73 07 77.FAX:(45) 55 73 07 89

To the Owner/Operator/Dealer

All implements with moving parts are potentially hazardous. There is no substitute for a cautious, safe-minded operator who recognizes the potential hazards and follows reasonable safety practices. The manufacturer has designed this implement to be used with all its safety equipment properly attached, to minimize the chance of accidents.

BEFORE YOU START!! Read the safety messages on the implement and shown in your manual. Observe the rules of safety and common sense!

SAFETY PRECAUTIONS

MOST ACCIDENTS OCCUR BECAUSE OF NEGLIGENCE OR CARELESSNESS. AVOID NEEDLESS ACCIDENTS BY FOLLOWING ALL OF THE SAFETY PRECAUTIONS LISTED BELOW.

1. Machinery should be operated only by those who are responsible and are authorized to do so.
2. Stop the engine, lower all equipment, lock the brakes, and remove the ignition key before dismounting from the tractor.
3. Never stand between tractor and implement while tractor is being backed to hitch.
4. Loose fitting clothing should not be worn, to avoid catching on various parts.
5. Detach implement in area where children normally do not play.
6. When performing adjustments or maintenance on an implement, first lower it to the ground or block it securely at a workable height.
7. Only a qualified operator should be permitted on tractor when in operation; no riders allowed.
8. Make certain everyone is in the clear before starting tractor or raising or lowering equipment.
9. Operate the tractor and implement only while seated in the driver's seat.
10. Reduce speed when transporting mounted implements to avoid bouncing and momentary loss of steering control.
11. A heavy load can cause instability of the tractor. Use extreme care during road travel. Slow down on turns and watch out for bumps. Tractor may need front counter-weights to counter-balance the weight of the implement.
12. Reduce speed on hillsides or curves so there is no danger of tipping.
13. Avoid driving too close to the edge of ditches or creeks.
14. Do not transport implement on public roads without reflectors and slow moving vehicle emblem in daylight and with approved warning lights at night and other periods of poor visibility.
15. Due to the width of some implements, use extra caution on highways, farm roads, and when approaching gates.
16. Always be sure the implement is in the proper position for transport.
17. Keep alert and watch the front as well as the rear when working with the implement.

 **DANGER**



BALTIC KORN A/B · DK-4700 NÆSTVED · DENMARK

HAZARDOUS MOVING PARTS

1. Stop tractor and PTO before unclogging servicing or performing maintenance.
2. PTO shaft, agitator, scraper, and distribution disc can entangle clothing and cause serious injury.
3. Do not place hands or objects into the hopper with the spreader/seedler operating.
4. Do not allow riders on this equipment.

**SERIOUS INJURY OR DEATH
MAY RESULT.**

OPERATING INSTRUCTION.**1. APPLICATION.**

This spreader/seeder is designed for surface sowings of granulated and powdered fertilizer.

The spreader is designed for work with tractors of 0,6–0,9 T loadcarrying capacity class.

2. TECHNICAL DATA:

- fertilizer box capacity without extension ring		630 lbs	0,25 m ³
- working width for granular fertilizer	up to	33'	10 m
- working width for powdered fertilizer	up to	20'	6 m
- sowing volume range		7,6–2230,6 lbs/acre	8,5–2500 kg/ha
- working speed	up to	6,2 miles/h	10 km/h
- transportation velocity		12,4 miles/h	20 km/h
- number of spreader plates		1 pce	1 pce
- plate diameter		19,7 inches	0,5 m
- plate speed		540 r.p.m.	540 r.p.m.
- number of plate vane		4 pcs	4 pcs

DIMENSIONS:

Length	4'	1,21 m
Width	3'10"	1,18 m
Hight	3'2"	0,97 m
Weight	172 lbs	78 kg
Operator	1 person	1 person

3. The 3-pt. mounted broadcast seeder/spreader with a PTO drive fit most Category I and some larger Category 0 tractors. Larger Category II tractors may also be used if the 3-pt. hitch lift arms will narrow to 26 inches. Bushings will be needed to fit the Category I (7/8" dia.) lift pins.

NOTE: Some Category 0 tractors have very short lift arms or 5/8" diameter (Cat. 0) lift arm ball ends. These tractors are not usually suitable.

Check the tractor's 3-pt. hitch. The hitch hydraulic system should be able to hold the lift arms at a set height. If the hydraulic system leaks and allows the lift arms to drop, then use stay straps to lock the hitch into position.

Refer to your tractor operator's manual or dealer for any adjustments necessary to put the 3-pt. hydraulic lift system in good working order. (I&T shop manuals will list most specifications and adjustment instructions – available from most farm equipment dealers).

NOTE: The SPREADMASTER Seeder/Spreader weighs 172 pounds and can hold up to 600 pounds of fertilizer. The tractor needs to be large enough to handle this possible 772 pounds load safely. The tractor may have to be equipped with front end weights to be properly counterbalanced.

Check the shield over the PTO stub shaft. Make sure it is in good condition and bolted securely to the tractor. Purchase a new shield if old shield is damaged or missing.



CAUTION!! Be sure tractor is in good condition. Read all the safety precautions and make sure all tractor operators are familiar with the safety rules of operation.

4. ASSEMBLY & MOUNTING

Mount the spreader/seeder on your tractor by sliding the lift arm ball sockets over the spreader/seeder pull pins and secure with linchpins (not furnished). Attach the center link (not furnished) to the center link bracket on the spreader/seeder, using a center link pin (not furnished) and secure it with a suitable linchpin. Adjust the center link so that the spreader/seeder fan is parallel to the ground.

NOTE: Use stabilizer bars, adjustable sway chains, or sway blocks on your tractor lift arms to keep the seeder/spreader from swinging side to side. Adjust as tightly as practical for best performance.

5. PTO INSTALLATION

In some cases it will be necessary to shorten the PTO assembly to match your particular tractor. The following procedure should be used:

(REFER TO FIG. 1)

Raise the tractor 3-pt. hitch so the input shaft of the spreader gearbox is in line with the PTO shaft on the tractor.

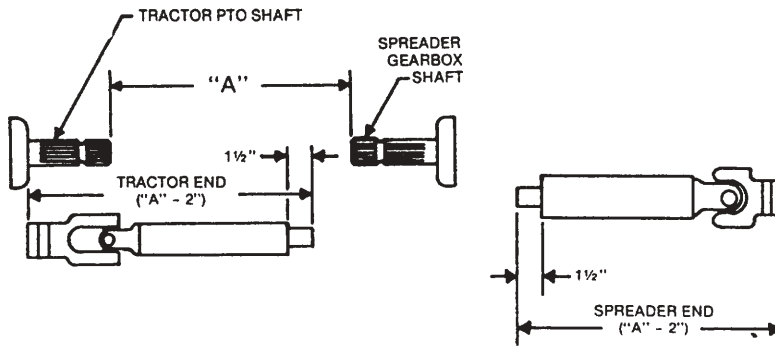


FIGURE 1

(See figure 2.) Measure the distance between the ends of the two shafts, Dimension "A" (Fig. 1). Each half of the PTO should be equal to Dimension "A" minus two (2) inches. Lay the PTO halves on a workbench and saw them off with a hacksaw. Now cut the plastic shields 1 1/2" shorter than the shafts. Remove burrs and cuttings. Now install the PTO assembly to the tractor and spreader. Carefully raise and lower the spreader and check to be sure the PTO assembly does not jam. If it does, cut equal amounts from each half of the PTO assembly.

NOTE: The use of a PTO shaft adapter or extension could require that the PTO driveline be shortened a considerable amount. If this is done, the driveline halves may separate when the spreader is lowered to the ground.

3.

Clean tractor PTO stub shaft and the inside of the splined driveline yoke. Pull the spring-loaded ring back from the end of the yoke and slip the splined driveline yoke on the splined PTO shaft of your tractor. Release the spring-loaded ring and push the yoke on until it locks in place. (The spring-loaded ring holds locking balls that lock the tractor end of the PTO driveline on the tractor PTO shaft.) Make certain the tractor PTO shield is in good condition and securely fastened onto the tractor. Repeat the above procedure on the splined power input shaft on the spreader gearbox.

NOTE: The gearbox is shipped *without* lubricant, so it will be necessary to fill it before use. With the gearbox in a level position, fill to the top inspection hole with a good 90 wt. gear lubricant. Check often and add lubricant if necessary.

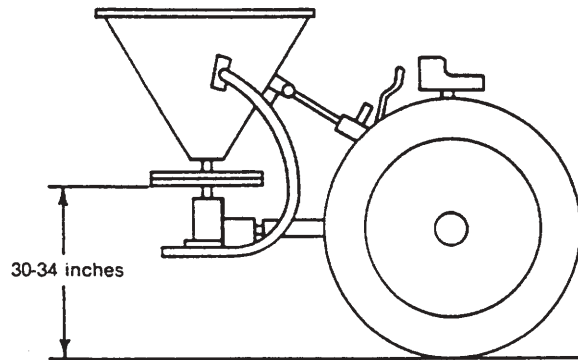


FIGURE 2

6. **SOWING ADJUSTMENT GEAR. (Fig. 3).**
To adjust the required sowing volume – based on sowing diagram – by setting the regulation's levers (8) on required place on the scale (23). Levers (8) by two pull-rod (9) are activating two gates (10/11) placed on two discharging holes in the bottom part of the hopper (2).
7. **SERVICE/DAILY INSPECTION.**
In order to ensure a regular operation and to prevent any damage or defect of the distributor unit the following is to be checked prior to starting the work:
 - screw joints,
 - check gearbox for leaks and refill if required,
 - fastening of spreader plate,
 - condition of agitator,
 - grease PTO universal joints after every 8 hours of operation. Lubricate steel tube and shaft so they telescope freely.
8. **- POST OPERATION INSPECTION:**
Empty the fertilizer box and clean and wash the fertilizer unit every time after the operation. Always store seeder/spreader in a clean, dry place.

9. POST SEASON OPERATION:

Season after use the following has to be done:

- the fertilizer distributor should be cleaned and washed,
- all damaged or worn parts should be repaired or replaced,
- all missing bolts and nuts, if any, must be replaced,
- repair rust spots with new paint and your unit will last longer.

The fertilizer distributor, assembled and maintained, should be stored sheltered.

ATTENTION-GEARBOXES ARE SUPPLIES WITOUT OIL AND MUST BE FILLED UP WITH GEAR-OIL TO THE LEVEL OF PLUG - DRAWING NO. 2 POSITION NO. 21.

HELPFUL TROUBLE-SHOOTING TIPS

1. **Not feeding even -**
 - A. Seed gate opening may be set too close for the material being spread. To overcome, set the opening larger and drive faster to obtain same spread rate.
 - B. Check material for foreign matter.
 - C. Check agitator drive pin for shear.
2. **Poor spread -**
 - A. Too much speed (over 560 PTO rpm) can cause uneven spread.
 - B. PTO speed too slow (PTO rpm under 520 rpm) will result in a narrow spread.
 - C. Bent fan blades.
 - D. Drive pin sheared or missing on fan hub.
 - E. Too windy for material being spread.
 - F. Agitator problems - check tips above, under "Not feeding even".
 - G. Operator not spacing spread area runs properly for correct overlap.
For best results, cover area twice over at one-half recommended material usage rate. The second time over, run halfway between first spreading width or in a criss-cross pattern. This method allows the most complete and even coverage, as well as to give operator a change to adjust gate setting to compensate for too thin or too heavy a covering the first time over.
 - H. Seeder/spreader should run level or tilted slightly forward. Make sure lift arms on tractor are adjusted so one side is not lower than the other.
 - I. Running agitator when not spreading can result in material being ground up and possibly packing over control gate opening. You can "over-agitate" material.

CAUTION:

When spreader is in operation - when the tractor power take off is operating

STAY AWAY FROM ALL MOVING PARTS on the spreader. Such as agitator, distribution disc and P.T.O. shaft.

5.

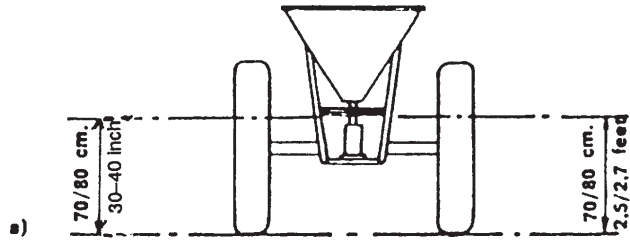
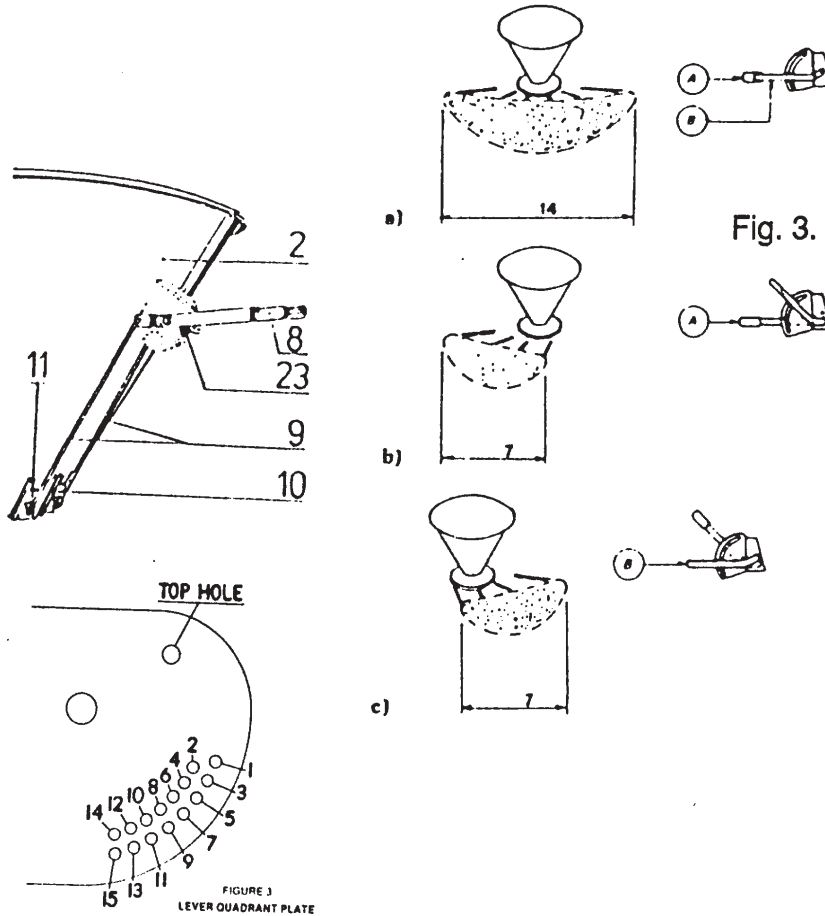
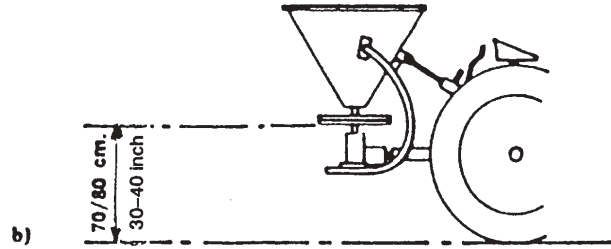


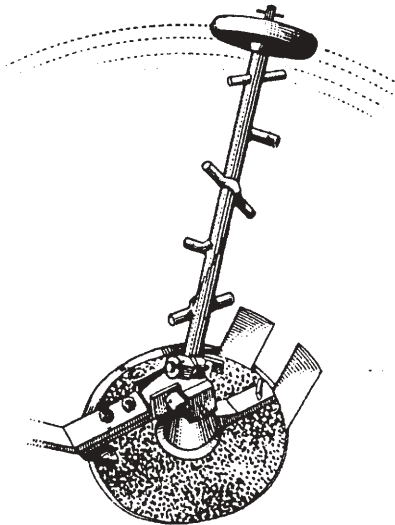
Fig. 2.



HAZARDOUS MOVING PARTS

1. Stop tractor and PTO before unclogging, servicing or performing maintenance.
2. PTO shaft, agitator, scraper, and distribution disc can entangle clothing and cause serious injury.
3. Do not place hands or objects into the hopper with the spreader/seeder operating.
4. Do not allow riders on this equipment.

**SERIOUS INJURY OR DEATH
MAY RESULT**



OPTIONAL AGITATOR

The SPREADMASTER Seeder/Spreader has a two blade knife type agitator as standard equipment. An optional long wheel type agitator is available which will take care of air pockets in the hopper, mix up the material, and deliver it to the bottom knife type agitator. Order part 2029/04-008/0 for the optional long wheel agitator.

This optional agitator is recommended for use when spreading fertilizer or lime only. It may cause seed damage if used on grass seed or grain.

!
DANGER

BALTIC KORH A/S · DK-4700 NÆSTVED · DENMARK

HAZARDOUS MOVING PARTS

1. Stop tractor and PTO before unclogging, servicing or performing maintenance.
2. PTO shaft, agitator, scraper, and distribution disc can entangle clothing and cause serious injury.
3. Do not place hands or objects into the hopper with the spreader/seedler operating.
4. Do not allow riders on this equipment.

**SERIOUS INJURY OR DEATH
MAY RESULT.**

ASSEMBLY-INSTRUCTION FOR UNASSEMBLED SPREADER ONLY.

The unit shall be assembled according to following instruction (drawing No. 1):

1. Join together frame (No. 1), bevel gear (No. 3) and P.T.O. shield (No. 18) using 6 bolts M10x25 (No. 20) with the washers (No. 44).
Do not tighten the bolts, the elements must be a little loose.
2. Dismount from bevel gear the hub (No. 17) and scraper (No. 45), (be careful to assemble these elements later on the same bevel gear).
Assemble hub (No. 17) with spreader plate (No. 4) and plate vane (No. 5) using 4 bolts M8x25 (No. 41) and 8 bolts M8x20 (No. 24) with nuts M8 (No. 28).
3. Assembled spreader plate to be put into bevel gear shaft and blocked by rolled pin 10n6x40 (No.22). Then place the bushing (No. 21) on top.
4. Place fertilizer box (No. 2) into the frame (No. 1) and fasten slightly by 3 bolts M10x30 (No. 29) with washers (No. 30 and 31) and nuts (No. 33).
The box must be a little loose.
5. Fasten all bolts on bevel gear and fertilizer box. Lift a part of washers (No. 43 and 44) under bevel gear bolts to prevent these bolts from selfunlocking.
6. Fasten scraper (No. 45) into complete agitator (No. 7) using 2 screws M10x15 (No. 46) and washers (No. 47).
On the bevel gear shaft place first plate (No. 14) and assembled agitator.
Fasten by rolled pin 10n6x45 (No. 25).
7. From the complete lever dismount nut M10 (No. 33) and bolt (No. 32).
Assemble the lever on the fertilizer box and fasten by bolt (No. 32) and nut (No. 33).
8. Check that spreader plate turns without any obstruction.

ATTENTION!! GEARBOXES ARE SUPPLIED WITHOUT OIL AND MUST BE FILLED UP WITH GEAR-OIL TO THE LEVEL OF PLUG. – DRAWING OF GEARBOX NO. 2 POS. 21.

Please note gearbox requires to be filled with gearoil (type 90 weight) 0,25 litre (=9 fluid ounces).

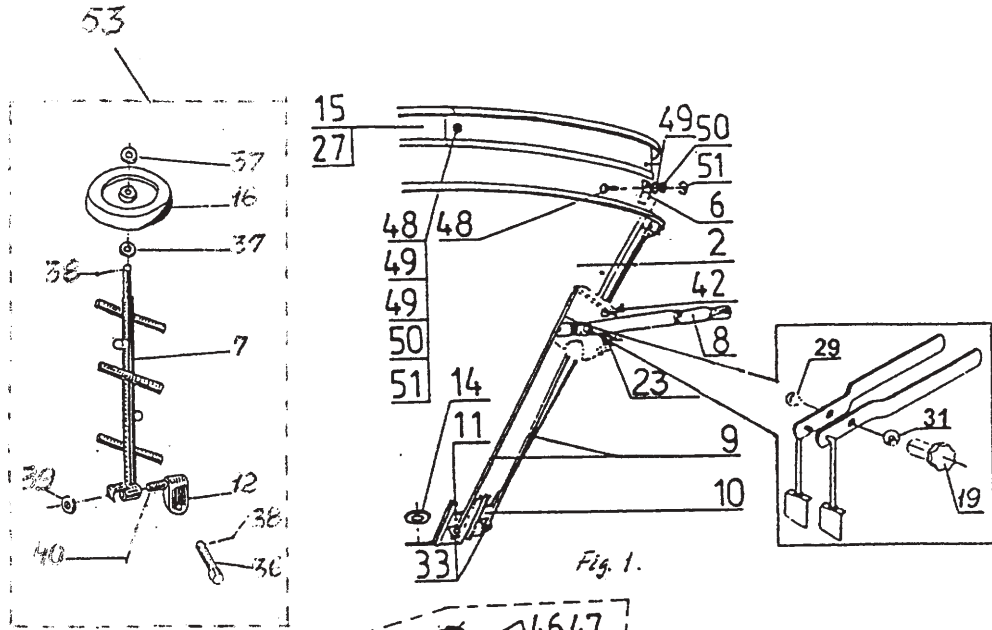
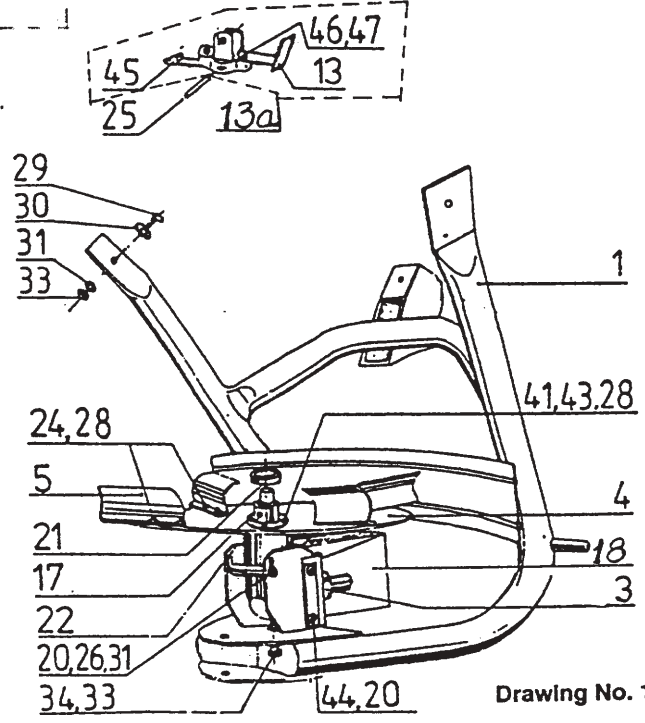


Fig. 3.

Fig. 1.



Drawing No. 1.

SPREADMASTER.

21.10.98/Febr.99/18.01.00/03.10.00/26.01.01.

Pos.No	Description	Spare part No.	Qty.
1	Frame assy. welded	2029/09-002/0	1
2	Fertilizer box assy.	2029/02-001/0	1
3	Gearbox complete	2029/08-001/0	1
4	Spreader plate without vanes	2029/07-002/0	1
	Spreader plate with vanes	2029/07-001/0	1
5	Plate vane	2029/05-003/0	4
6	Top ring clamp set(set=6 pcs)	2029/00-00-012	6
7	Agitator arm	2012/06-056/0	1
8	Damper's lever	2029/00-004/0	2
9	Regulator's lever	2029/00-005/0	2
10	Left damper	2029/00-006/0	1
11	Right damper	2029/00-007/0	1
12	Universal connector	2012/08-002/0	1
13	connector without scraper	2029/04-007/0	1
13a	Connector with scraper	2029/04-010/0	1
14	Spacing washer	2029/00-008/0	1
15	Top ring - 120 mm	2012/02-060/0	1
16	Wheel for agitator	2012/06-055/0	1
17	Plate hub	2029/07-003/0	1
18	Shield (shaft cover)	2029/00-021/0	1
19	Black knob	2029/00-034/0	1
20	Bolt M10x25-8-C Fe/Cd 12ba	PN-85/M-8210	6
21	Securing bushing	2029/00-012/0	1
22	Rolled pin 10n 6x40	PN-66/M-85021	1
23	Split pin B 71 Fe/Cd 12ba	BN-81/1902-04	1
24	Bolt M 8x20-5.8-B Fe/Cd 12bc	PN-85/M-82105	8
25	Rolled pin 10n 6x45	PN-66/M-85021	1
26	Washer 10.5 Fe/Cd 12 bc	PN-78/M-82005	2
27	Top ring - 240 mm	2012/02-061/0	1
28	Selfsecuring nut M8-5-B Fe/Cd 12bc	PN-85/M-82175	12
29	Bolt M10x30-4.8-C Fe/Cd 12bc	PN-87/M-82406	4
30	Special washer	2029/00-00-008	3
31	Washer Z-10.2 Fe/Cd 12 bc	PN-77/M-82008	6
33	Nut M10-5-C Fe/Cd 12bc	PN-86/M-82144	8
34	Bolt M10x70-4.8-CFe/Cd 12bc	PN-85/M-82105	1
36	Universal pin	2012/06-051/0	1
37	Washer 12.5 Fe/Cd 12bc	PN-63/M-82004	3
38	Split pin 3.2x20 Fe/Cd 12bc	PN-76/M-82001	2
39	Washer 16.5 Fe/Cd 12bc	PN-63/M-82004	1
40	Split pin S-Cd-4x25 Fe/Cd12bc	PN-76/M-82001	1
41	Bolt M8x25-8-B Fe/Cd 12bc	PN-85/M-82105	4
42	Split pin S 6,3x32 Fe/Cd 12bc	PN-76/M-82001	1
43	Washer 8.4 Fe/Cd 12bc	PN-78/M-82005	4
44	Washer	2029/00-00-010	2
45	Scraper with sloted hole	2029/04-011/0	1
46	Bolt M10x25-5.8-B Fe/Cd 12bc	PN-85/M-82242	2
47	Washer 10.5 Fe/Cd 12bc	PN-82/M-82024	2
48	Bolt M6x16-4.8-C Fe/Cd 12bc	PN-85/M-82105	11
49	Washer 6.4 Fe/Cd 12bc	PN-78/M-82005	6
50	Washer Z 6.1 Fe/Cd 12bc	PN-77/M-82008	11
51	Nut M6-4-C Fe/Cd 12bc	PN-86/M-82144	11
52	Holder for gearbox welded	2029 draw Nr. 5	1
53*	Wheel type agitator cpl.	2012/06-058/0	1
	Bag with fittings cpl.	2029/00-030/0	1
*	Sticker with seedchart	2029/13-013/0	

* = optionals.

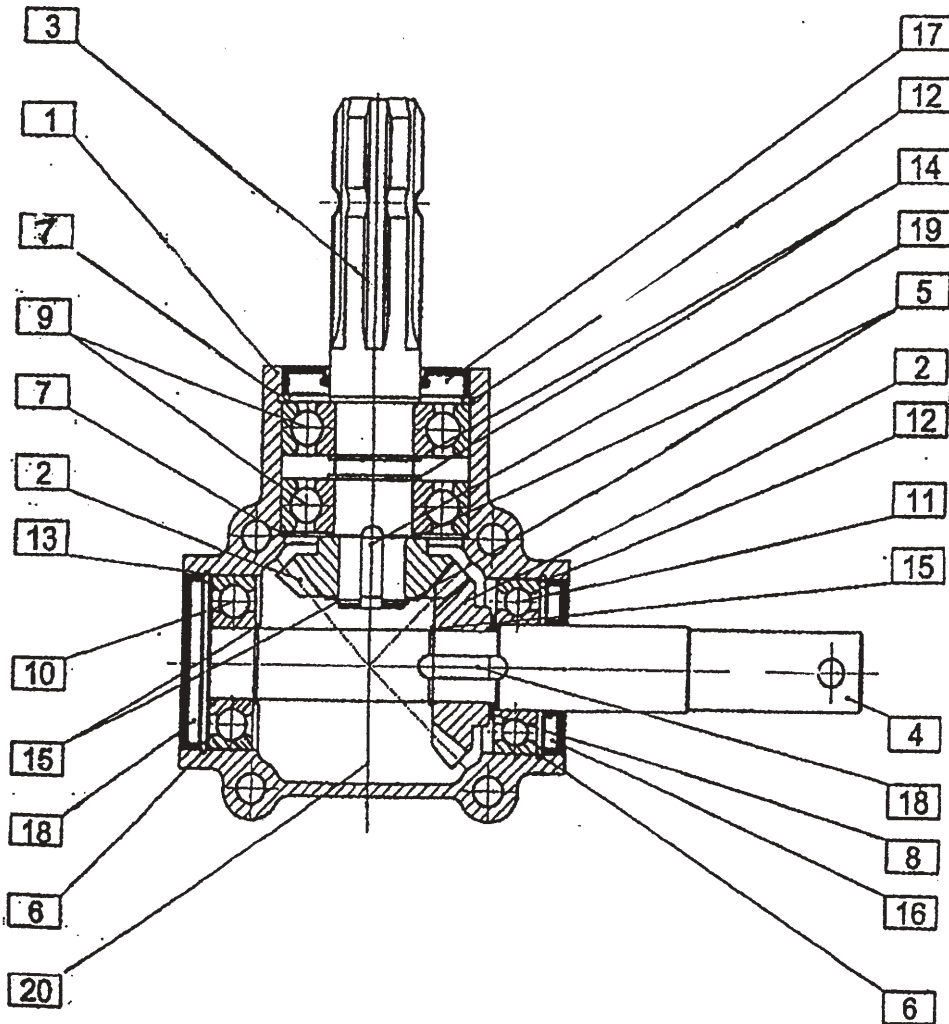
10.

Pos. No.	Description	Part number	Quantity
1	Gearbox housing	MB35-20.01	1
2	Gear wheel Z-17	MB35-20.03	2
3	Input shaft	MB30-10.01	1
4	Output shaft	MB30.02-20.07	1
5	Washers 0.1; 0.15; 0.5	MB30-10.03/01	1 cpl.
	- -	MB30-10.03/02	
	- -	MB30-10.03/03	
6	Washers 0.1; 0.15; 0.5	MB35-30.01/01	1 cpl.
	- -	MB35-30.01/02	
	- -	MB35-30.01/03	
7	Washers 0.1; 0.15; 0.5	MB09-30.07/01	1 cpl.
	- -	MB09-30.07/02	
	- -	MB09-30.07/03	
8	Spacing washer 0.5	MB30-10.03/03	2
9	Bearing 6306	PN-70/M-86100	2
10	Bearing 6305	PN-70/M-86100	1
11	Bearing 6206	PN-70/M-86100	1
12	Circlip 72w	PN-88-/M-85111	1
13	Circlip 62w	PN-88-/M-85111	2
14	Circlip 30z	PN-88-/M-85111	2
15	Circlip 25z	PN-88-/M-85111	3
16	Sealing ring A30x62x7	PN-87/M-86964	1
17	Sealing ring A35x72x10	PN-87/M-86964	1
18	Sealing cover B1 62x8		1
19	Key B8x7x21	PN-70/M-85005	2
20	Semi liquid grease EPX-000		0,15 kg

24.10.2003.

Please note gearbox requires to be filled with gearoil (type 90 weight) 0,25 litre (=9 fluid ounces).

11.



In case of gear replacement ALWAYS replace two gears pos. 2 simultaneously.

PRINCIPLES FOR WORKING OUT SOWING TABLES.

A. FIELD TEST.

Fill hopper to the rim. Set adjustment levers at quantity desired. Drive distance required to cover 1/10 of a hectare (or 1,000 m²) at the tractor speed desired and at 540 RPM on PTO. Measure consumed weight when filling up hopper again.

EXAMPLE:

You wish to spread 350 lbs./acre - 32' wide:
 $32' = 9,144$ metres effective spreading width.
 Drive $1,000/9,144 = 109$ metres = 119 yards.
 Volume per acre is consumption multiplied by 4,047.
 If consumed weight is not what is wanted, operate adjustment levers until correct quantity is obtained in repeated tests.

B. STATIONARY TEST.

Pour a quantity of e.g. seeds into hopper. Select an estimated aperture. Cover a level surface with plastic (e.g. 60'x40'-18x12 metres). Start tractor and let PTO operate at 540 RPM in e.g. 2 minutes. On the tractor meter you may now read at which speed to run in gear desired. Now measure total spreading width. Effective spreading width is 65% abt. of total width. Overlapping will compensate (fig. 5). Collect material and weight it. Insert findings in the following formula:

$$\frac{\text{kgs} \times 600 \text{ (lbs} \times 498\text{)}}{\text{minutes} \times \text{effective width} \times \text{speed}} = \text{kgs per hectare (lbs per acre)}$$

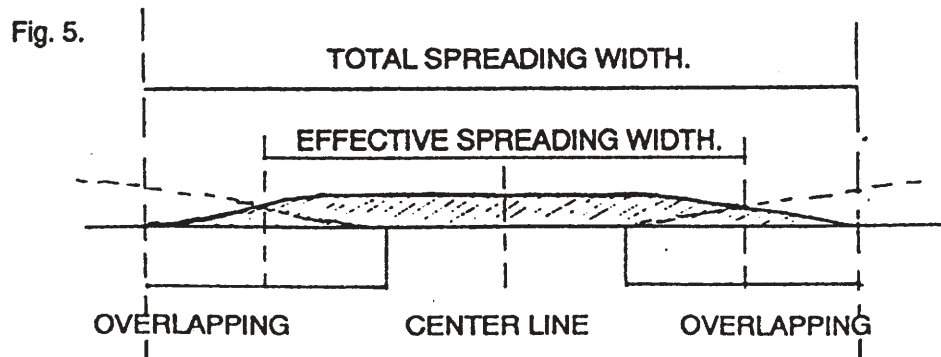
EXAMPLE:

$$\frac{100 \text{ kgs} \times 600}{2 \text{ min} \times 11 \text{ metres} \times 8 \text{ kph}} = 341 \text{ kgs/hectare}$$

$$\frac{220 \text{ lbs} \times 498}{2 \text{ min} \times 36 \text{ feet} \times 5 \text{ mph}} = 304 \text{ lbs/acre}$$

If consumed weight is not what is wanted, operate adjustment levers until correct quantity is obtained in repeated tests.

When you have reached the result you want; make a note of details for future reference.



FERTILIZER SPREAD CHART.

Fertilizer type	Working width (feet)	Adjustment on the scale - Quantity <u>lbs/acre.</u>														Working speed <u>km/h</u>
		1	2	3	4	5	6	7	8	9	10	11	12	13	14	
Ammonium Nitrate	33'			193	460	738	1011	1325	1632	1981	2281	2596	2893	3190	3654	0,6
				48	115	184	252	332	408	495	570	649	723	797	913	2,5
				24	57	92	126	166	204	247	285	325	362	399	456	5,0
				16	38	62	84	111	136	165	190	216	241	266	304	7,5
Phosphat Kali R	33'			133	341	663	947	1341	1638	2002	2365	2665	2948	3335	4031	0,6
				33	85	166	237	335	410	499	591	666	737	834	1008	2,5
				17	43	83	119	168	205	250	291	333	368	417	504	5,0
				11	28	55	79	112	137	166	197	222	245	278	336	7,5
Carbamide	23'		201	572	1112	1583	2065	2569	3109	3591	4025	4699				0,6
			50	143	278	396	516	642	777	898	1006	1174				2,5
			25	72	139	198	258	321	389	449	503	587				5,0
			16	48	93	132	172	241	259	299	335	391				7,5
NPK 13x13x21	33'			74	230	440	805	1196	1508	1836	2077	2376	2743	2988	3745	0,6
				18	57	110	201	299	377	459	519	593	686	747	936	2,5
					28	55	101	150	189	229	260	297	342	373	468	5,0
					19	36	67	100	125	153	173	198	229	249	312	7,5

11.11.98.

SEED SPREAD CHART

Material	Working width feet	P.T.O. revolution RPM	OUTPUT IN <u>LBS/ACRE</u> WITH BELOW ADJUSTMENT.								Working speed M/h
			2	3	4	5	6	7	8	9	
RYE	33	540				556	868	1193	1455		0,6
						139	217	298	429		2,5
						86	135	186	227		4,0
						69	109	149	182		5,0
						57	90	124	151		6,0
						47	72	99	122		7,4
WHEAT	33	540				440	709	967	1270		0,6
						110	177	242	318		2,5
						70	111	151	198		4,0
						56	89	121	159		5,0
						46	74	100	147		6,0
						37	59	81	106		7,4
RICE	33	540			87	140	253				4,0
					70	112	203				5,0
					58	93	169				6,0
					47	75	135				7,5
BARLEY	26	540					576	688	967	1191	0,6
							144	172	242	297	2,5
							90	107	151	186	4,0
							72	86	121	149	5,0
							60	71	100	124	6,0
							48	57	81	99	7,4
OATS	23	540		45	71	131					4,0
				36	57	105					5,0
				30	48	87					6,0
				24	38	70					7,5
SOYBEANS	40	540						127	150	170	4,0
								102	120	136	5,0
								85	100	133	6,0
								68	80	90	7,5
SUDAN GRASS	33	540		37	58	92					4,0
				30	47	74					5,0
				25	39	61					6,0
				20	31	49					7,5

LESPEDEZA	32	540	11 9 7,5 6	22 18 15 12							4,0 5,0 6,0 7,5
ALFALFA & CLOVER	26	540	14 11 9 7,5	48 39 32 26	118 95 79 63						4,0 5,0 6,0 7,5
RAPE	20	540	14 6 5	83 41 28	168 84 56						2,5 5,0 7,5
RYE GRASS 1 year old and FESCUE	16	540		18 11 9 7,5 6	55 34 27 22 18	117 74 59 49 39					2,5 4,0 5,0 6,0 7,5
BLUE GRASS & BERMUDA GRASS	16	540		20,5 16,5 13,5 11	72 45 36 24						4,0 5,0 6,0 7,5
ORCHARD GRASS	12	540		14 11 9 7	21 17 14 11						4,0 5,0 6,0 7,5
BROME GRASS	10	540		4 6 5	12 9,5 8	19 15 12					4,0 5,0 6,0
RED GLOVE	20	540	85 22 11 7	307 77 39 26	760 190 95 64						0,6 2,5 5,0 7,4
RAPE	20	540	52 14 6 5	130 83 41 28	671 168 84 56						0,6 2,5 5,0 7,4

FERTILIZER SPREAD CHART.

Fertilizer type	Working width (metre)	Adjustment on the scale - Quantity <u>kg/ha.</u>														Working speed <u>km/h</u>
		1	2	3	4	5	6	7	8	9	10	11	12	13	14	
Ammonium Nitrate	10		312	744	1194	1635	2143	2640	3204	3690	4200	4680	5160	5910	1	
			78	166	298	408	537	660	801	922	1050	1170	1290	1477	4	
			39	93	149	204	268	330	400	461	525	585	645	738	8	
			26	62	100	136	179	220	267	308	350	390	430	492	12	
Phosphat Kali R	10		215	552	1072	1532	2169	2650	3239	3825	4310	4768	5394	6520	1	
			34	138	268	383	542	663	807	956	1077	1192	1349	1630	4	
			27	69	134	192	271	331	404	470	539	595	674	815	8	
			18	46	89	128	181	221	268	319	359	397	450	543	12	
Carbamide	7		325	925	1799	2561	3341	4155	5029	5809	6511	7611		1		
			81	231	450	640	835	1038	1257	1452	1627	1900		4		
			41	116	225	320	418	519	629	726	814	950		8		
			27	77	150	213	278	346	419	484	542	633		12		
NPK 13x13x21	10		120	372	711	1302	1935	2439	2970	3360	3843	4437	4833	6057	1	
			30	93	178	325	483	610	742	840	960	1109	1208	1514	4	
				46	89	163	242	305	371	420	480	554	604	737	8	
				31	59	108	161	203	247	280	320	370	402	504	12	

11.11.98.

SEED SPREAD CHART.

Material	Working width metre	P.T.O. revolution RPM	OUTPUT IN KG/HOUR WITH BELOW ADJUSTMENT.							Working speed km/h	
			2	3	4	5	6	7	8		9
RYE	10	540				623	973	1337	1630		1
						155	243	334	480		4
						77	122	167	204		8
						52	81	111	136		12
WHEAT	10	540				493	794	1084	1423		1
						123	198	271	356		4
						62	99	135	178		8
						41	66	90	119		12
BARLEY	8	540					645	771	1083	1334	1
							161	193	271	333	4
							81	96	135	167	8
							54	64	90	111	12
OAT	7	540			367	615	920	1236		1	
					92	154	230	309		4	
					46	77	115	155		8	
					31	51	77	103		12	
RYE GRASS year old	4	540		78	243	526				1	
				20	61	131				4	
				10	30	66				8	
				7	20	44				12	
RED GLOVE	6	540		95	344	851				1	
				24	86	213				4	
				12	43	106				8	
				8	29	71				12	
RAPE	6	540		58	370	752				1	
				15	93	188				4	
				7	46	94				8	
				5	31	63				12	

Parts

BALTIC PARTS DISTRIBUTOR

NORTH AMERICA *Global Parts Supply*



Mailing Address:
P.O.Box 733
Hermitage, TN 37076
USA

Shipping Address:
3710 Plantation Drive
Hermitage, TN 37076
USA

Telephone: 615/884-8733. Fax: 615/884-8725.
E-mail: globalpartssupply@yahoo.com

Toll-free parts order line:

1-888-914-0777