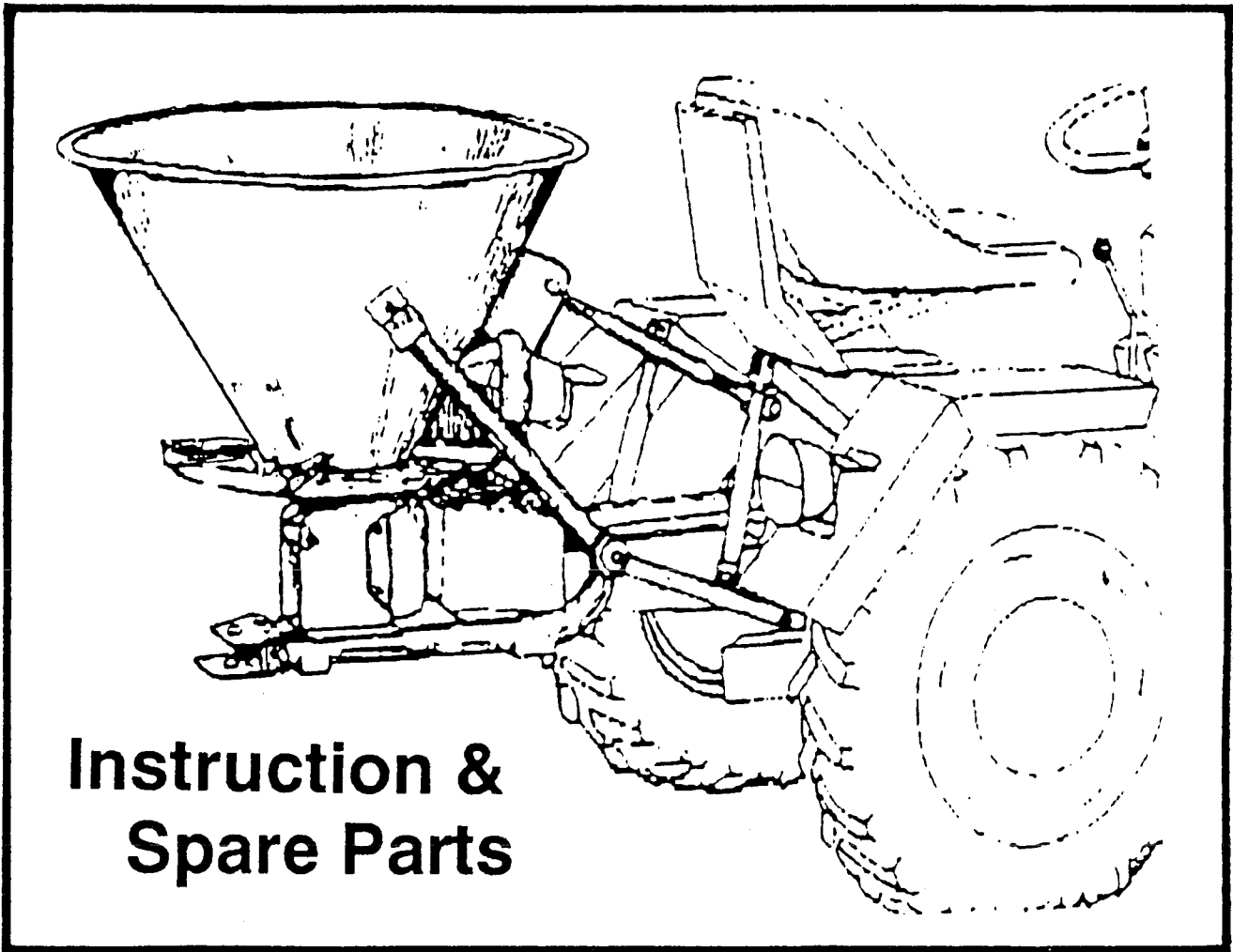


CO-OP[®]

B.30

**MINI
SPREADER**



**Instruction &
Spare Parts**

TENNESSEE FARMERS COOPERATIVE
200 Waldron Road, La Vergne
Tennessee 37086. U.S.A.
Phone: 615 793 8398. Fax: 615 793 8432.

OPERATING INSTRUCTION

1. APPLICATION.

This spreader/seeder is designed for surface spreading of granulated and pulverized fertilizers as well as seeds.

The spreader can also be used during winter time for spreading sand/salt.

The spreader is designed for work with tractor of class 0,2 equipped with cat. 1. 3-point hitch 1.N acc. to ISO norm 730/II-1979.

2. TECHNICAL DATA

- fertilizer box capacity	5,5 cubic feet 4,5 bushel 350 lbs.	0,15 m3 150 liter 160 kgs.
- working width		
- granulated fertilizer up to	33'	10 m.
- pulverized fertilizer up to	20'	6 m.
- sowing volume range .	8 - 2225 lbs/acre	8,5 - 2500 kgs
- working speed - max.	9 miles/h.	15 km/h
- transport velocity max.	12 miles/h.	20 km/h
- number of spreading plates	1 pce.	1 pce.
- plate diam.	19"	485 mm.
- plate speed (revolution)	540 r.p.m.	540 r.p.
- number of vanes on plate	4 pcs.	4 pcs.

DIMENSION:

Length	33"	840 mm
Width	30"	770 mm.
height	38"	970 mm.
weight	130 lbs.	55 kgs

3. HOW TO PREPARE SPREADER FOR WORK

The fertilizer spreader should be mounted on the tractor using the tractor 3 point linkage levers. Secure the mounting by using lynch pins.

Use the tractors lift to lift up the spreader at a height of 28" (700 mm.) (distance from the ground to spreading plate). Please note the spreader must be fully horizontal. (figure 1.)

Mount the PTO shaft.

A. First time

The PTO - shaft length should be adjusted to the tractor:

The PTO shaft shall first time be mounted when spreader is in spreading position 28" (700 mm).

1. Ensure that the tubes of the PTO - shaft will overlap each other with min. 3" (60mm).
2. The PTO shaft must not work under condition where U-joints is exceeding 25 degrees.

B. After first time.

Provided tractor is the same when used first time the PTO shaft can be mounted with out any adjustment of the length.

tractor is different from first time please make the control as described in above points A. 1 - 2.

SERVICE / DAILY INSPECTION

BEFORE OPERATION

In order to ensure a regular operation and to avoid any damages of any kind following items must be checked on the spreader:

1. Check that all bolts/nuts on machine is properly tightened.
2. Check that spreading plate is properly turning.
3. Check bolts/nuts and vanes on spreaderplate.
4. Check that PTO shaft is properly lubricated and that gearbox is filled with grease (0,25 dm³).
5. Check that machine is properly and securely mounted to tractor.
6. Check that PTO - shaft is properly mounted.

POST OPERATION INSPECTION

Empty the fertilizer box for remaining fertilizer and clean and wash the fertilizer unit after use.

POST SEASON INSPECTION

- Wash and clean the spreader.
- Check the hopper for paint damages. Damaged places should be cleaned and carefully repainted with primary paint + surfacepaint.
- All damaged or overused parts should be repaired/replaced.
- Check if all bolts & nuts are tightened properly.
- Store the spreader protected and sheltered.

SECURITY MEASUREMENTS

- DO NOT OPERATE DOSING SYSTEM WHEN THE SPREADER IS WORKING (WHEN TRACTOR PTO-SHAFT OUTPUT IS OPERATING).
- STAY AWAY FROM ALL MOVING PARTS SUCH AS BOTTOM AGITATOR IN HOPPER, PTO SHAFT AND SPREADING DISC WHEN THE SPREADER IS WORKING.
- DO NOT LEAVE ANY TOOLS OR OTHER OBJECTS IN THE HOPPER
- DO NOT ALLOW ANY RIDERS ON THE SPREADER OR BETWEEN SPREADER AND TRACTOR DURING OPERATION.

3.

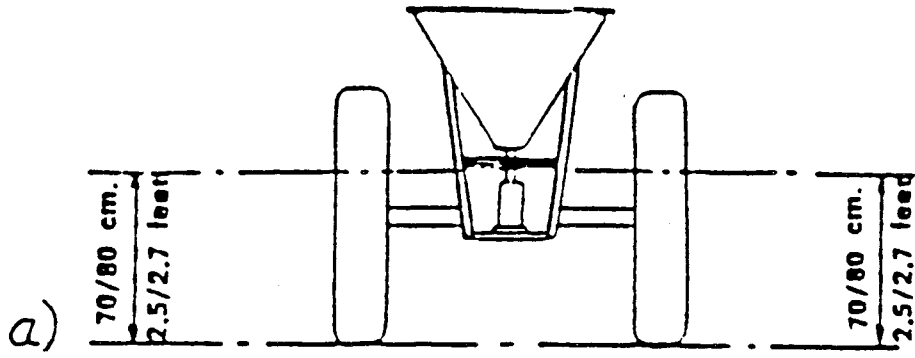


Fig. 1.

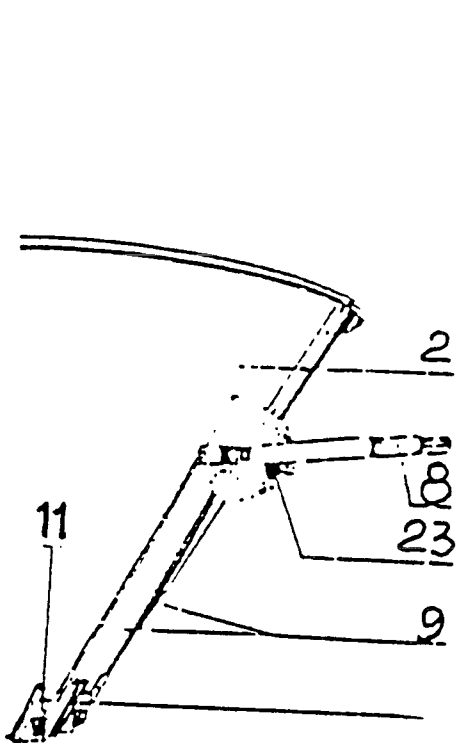
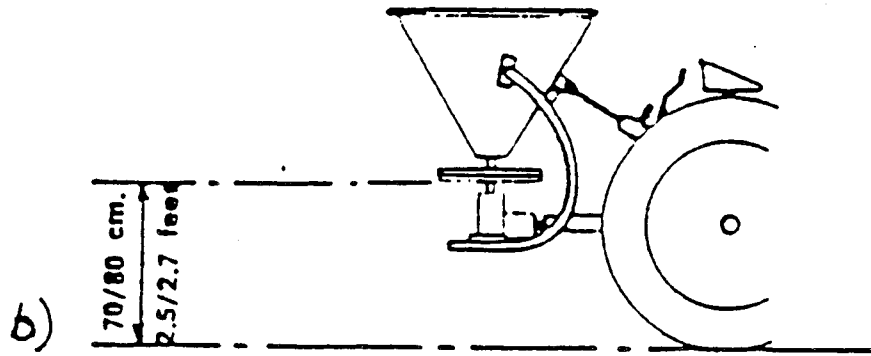


Fig. 2.

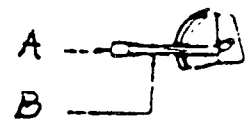
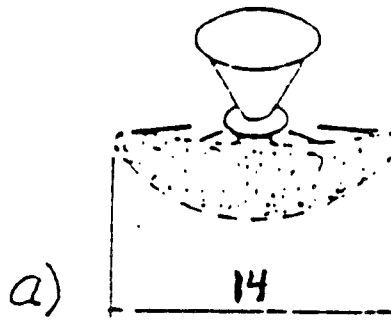
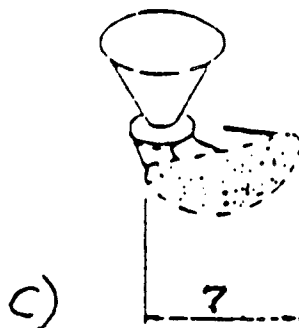
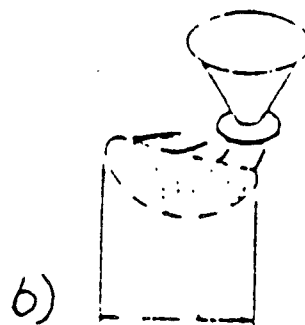


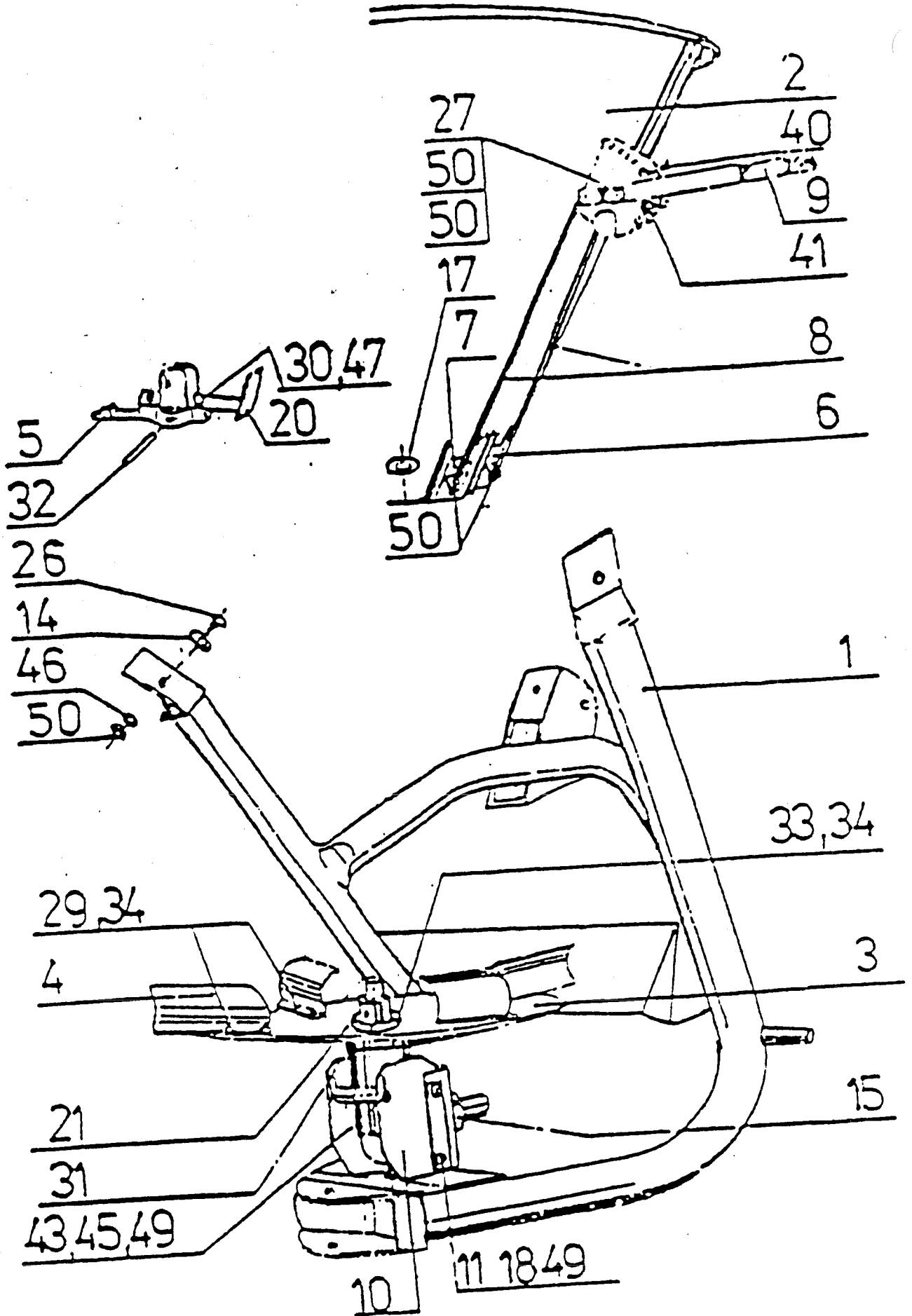
Fig. 3.



Pos. No.	Description	Spare part No.	Qty.
1	Frame	2042/06-001/0	1
2	Fertilizer box	2042/07-001/0	1
3	Spreader plate	2042/08-002/0	1
4	Vane	2042/08-003/0	4
5	Scraper	* 2029/04-006/0	1
6	Left damper	* 2029/00-006/0	1
7	Right damper	* 2029/00-007/0	1
8	Reg. lever	2042/00-003/0	2
9	Damper lever	2042/00-004/0	2
10	Holder for gearbox	2042/00-005/0	1
11	Washer	2042/00-006/0	2
14	Special bolt	2042/00-007/0	3
15	Gearbox	2029/06-001/0	1
17	Spacing washer	* 2029/00-008/0	1
18	Bolt	2029/00-010/0	3
20	Connector with stub agitator	* 2029/04-002/0	1
21	Plate hub	* 2029/07-003/0	1
26	Bolt M 10x30 4,8B Fe/Zn 12c	PN-76/M-82406	3
27	Bolt M 10x35 5,8B Fe/Zn 12c	PN-85/M-82105	1
29	Bolt M 8x20 5,8B Fe/Zn 12c	PN-85/M-82105	11
30	Bolt M10x25 5,8B Fe/Zn 12c	* PN-85/M-82242	2
31	Rolled pin 10N 6X40	* PN-89/M-85023	1
32	Rolled pin 10N 6X45	* PN-89/M-85023	1
33	Bolt M 8x25 5,8B Fe/Zn 12c	* PN-85/M-82105	4
34	Nut M 8-8-A Fe/Zn 12c	PN-85/M-82175	12
40	Split pin S-Zn 6,3x32	* PN-76/M-82001	1
41	Split pin B 71 Fe/Zn 12c	* BN-81/1902-04	1
43	Washer okr. 8,4 Fe/Zn 12c	PN-78/M-82005	2
45	Washer spr. Z 8,2 Fe/Zn 12c	PN-77/M-82008	5
46	Washer spr. Z 10,2 Fe/Zn 120	PN-77/M-82008	3
47	Washer 10,5 Fe/Zn 12c	* PN-82/M-82024	2
49	Nut M 8-B Fe/Zn 12c	PN-86/M-82144	9
50	Nut M 10-8-B Fe/Zn 12c	PN-86/M-82144	9

11.09.1995.

* Parts used in SPREADMASTER.

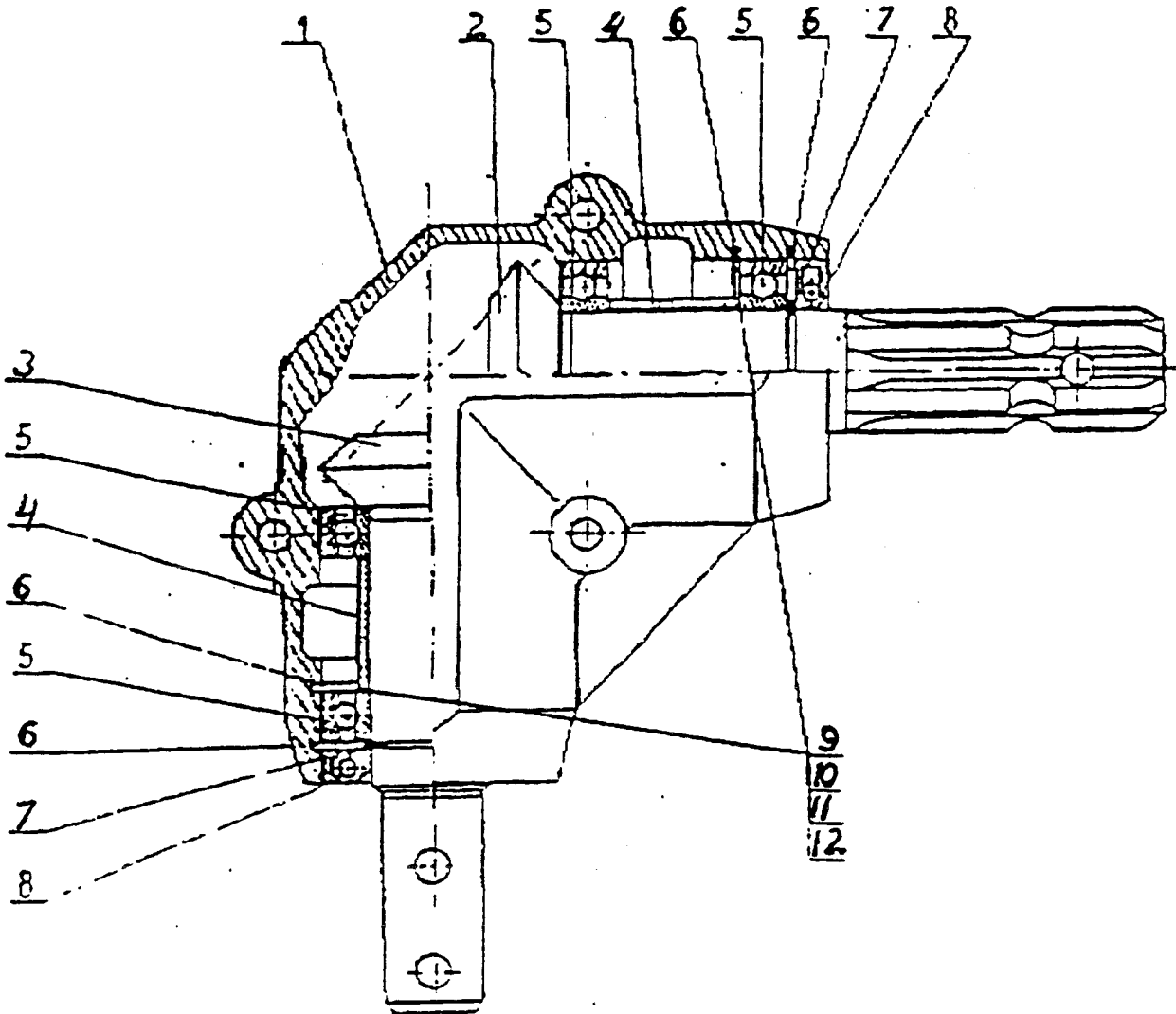


GEARBOX

Pos. No.	Description	Spare part No.	Qty.
	Gearbox complete	2029/06-001/0	
1	Gearbox housing	2029/06-002/0	1
2	Gear shaft 1	2029/06-003/0	1
3	Gear shaft 2	2029/06-004/0	1
4	Spacing bushing	2029/06-005/0	2
5	Ball bearing 6007	* PN-85/M-86100	4
6	Circlips W 62	PN-81/M-85111	4
7	Circlips Z 35	PN-81/M-85111	2
8	Sealing ring 35x62x10	PN-72/M-86964	2
9	Spacing washer	2029/06-006/0	
10	Spacing washer	2029/06-007/0	
11	Spacing washer	2029/06-008/0	
12	Spacing washer	2029/06-009/0	

11.09.95.
Ret.310197.

* Parts used in SPREADMASTER.



SOWING DIAGRAM.

Fertilizer Type	Working Width (Feet)	Tractor Speed (MPH)	Adjustment On The Scale - Quantity Pounds Per Acre.													
			1	2	3	4	5	6	7	8	9	10	11	12	13	14
Potassium Salt	14	4.5	27	98	232	402	598	776	990	1205	1401	1651	1883			
		7.5	15	57	137	234	349	452	577	702	817	954	1098			
		9.5	13	47	108	187	279	362	462	562	654	770	879			
Ammonia	23	4.5	41	118	229	326	426	529	641	741	829	968				
		7.5	24	69	134	190	246	309	374	432	484	565				
		9.5	20	55	107	152	198	247	299	345	387	451				
Superfosfat Granulated	33	4.5	85	112	183	303	419	544	665	776	866	955				
		7.5	49	65	107	177	244	319	390	455	508	560				
		9.5	40	52	86	143	197	254	311	362	404	445				
Nitrogen	33	4.5	36	67	112	152	210	268	335	392	468	540	616			
		7.5	21	39	62	88	122	156	195	229	273	315	359			
		9.5	17	31	50	70	98	125	156	183	219	252	287			

SOWING DIAGRAM.

Fertilizer Type	Working Width (Feet)	Tractor Speed (MPH)	Adjustment On The Scale - Quantity Pounds Per Acre.																		
			1	2	3	4	5	6	7	8	9	10	11	12	13	14					
NPK 23-3-7	26	0.6	101	435	770	1469															
		2.5	25	109	193	368	543	687	886	944	1056	1210	1354								
		5.0	12	54	96	184	271	344	417	472	527	602	677	811	946	998					
		7.5	8	37	64	122	181	229	277	315	352	402	451	541	631	665					
NPK 12-5-14	26	0.6	169	444	720	1350															
		2.5	42	111	180	337	495	617	741	886	1031	1233	1435								
		5.0	21	55	90	169	248	309	370	443	516	617	717	815	913	972					
		7.5	14	37	60	121	165	206	247	295	344	411	478	543	609	648					
NPK 21-4-10	26	0.6	192	476	762	1366															
		2.5	48	119	190	342	493	639	784	947	1115	1236	1356								
		5.0	24	60	95	170	246	319	393	475	558	618	678	777	875	965					
		7.5	11	27	42	76	110	142	174	211	248	275	302	345	389	429					
NPK 16-4-12	26	0.6	154	518	882	1495															
		2.5	38	129	220	374	527	668	808	956	1115	1253	1390								
		5.0	20	65	111	186	264	334	404	481	558	626	695	782	869	910					
		7.5	12	43	73	125	176	224	269	320	372	418	463	521	579	607					

CAUTION:

When spreader is in operation – when the tractor power take off is operating

STAY AWAY FROM ALL MOVING PARTS
on the spreader. Such as distribution disc and P.T.O. shaft.

HAZARDOUS MOVING PARTS

1. Stop tractor and P.T.O. before unclogging servicing or performing maintenance.
2. P.T.O. shaft, scraper and distribution disc can entangle clothing and cause serious injury.
3. Do not place hands or objects into the hopper with the spreader/seeder operating.
4. Do not allow riders on this equipment.

**SERIOUS INJURY OR DEATH
MAY RESULT**

BALTIC PARTS DISTRIBUTORS

310 South College Street
Lebanon, Tennessee 37087.
Phone Toll Free 888-914-0777.
Fax 615-443-3956.



DANGER

