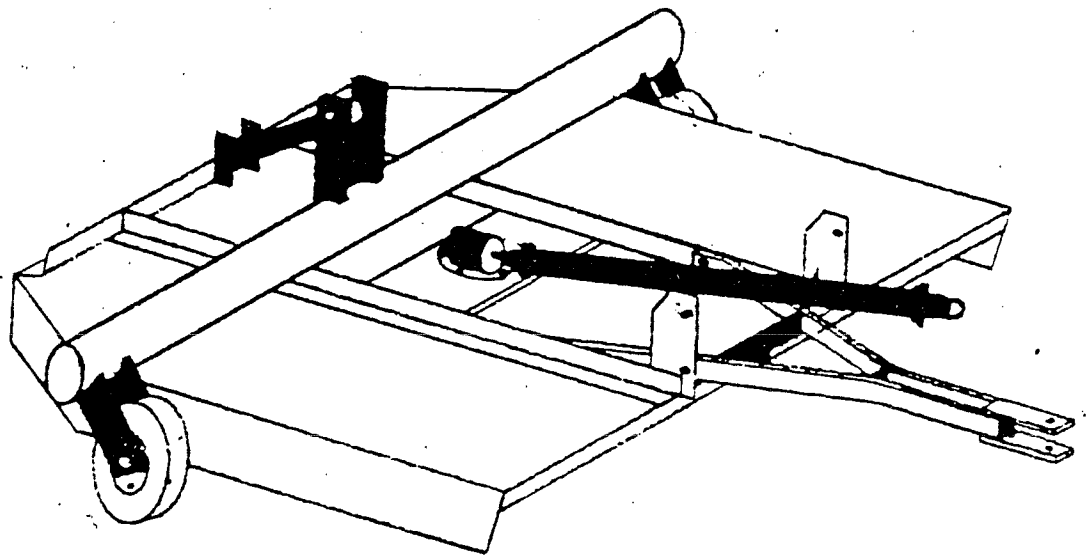


**D440, D560
D540, D660
BIG BEE
DRAG TYPE
ROTARY
CUTTER**

SAFTERY PRECAUTIONS

Due to the type of performance for which this machine was designed, the operator should be very careful and practice all saftey precautions during operation. Being of basic design throughout the farm equipment industry, rotary cutters have fast moving blades that can throw objects that the operator runs over. It is possible to do serious injurry to yourself or to others, if you fail to read and practice the forgoing safety rules. ONLY EXPERIENCED and trained operators with a thorough understanding of the responsibilities and limitations of this machine should operate it.

1. IMPORTANT! Read and become familiar with the instructions on the rotary cutter decals. These decals have been placed at various places on the machine to remind you to be cautious for you protection, as well as others.
2. Before operating the rotary cutter, carefully inspect the area on which the rotary cutter will be used. Be sure to remove all objects that might be thrown by the rotating blades. Also, note any gulliiès, ditches, or rough terrain when you are inspecting the area.
3. Check tha machine frequently to be sure there are no loose bolts, and that snap rings are in place.
4. Always use, and maintain in place, all PTO guards furnished with the rotary cutter, as well as the guards furnished with the tractor.
5. Disengage the PTO, and cut off the tractor ingine before leaving the tractor.
6. It is recommended that the tractor be equipped with a roll-bar, and a seat belt. This is the operator's own responsibility for his safety.
7. It is noted that on tractors without " live" PTO, the centrifugal force of the rotating blades will tend to force the tractor in the direction of travel. This can result in an accident, or injury, if the operator does not reduce his speed before turning, or allowing adequate distance between the tractor and turning point, or obstacle. (Your dealer has free-wheel, over-running couplers, to curtail the centrifugal force-the couplers serve as an added saftey device.)
8. The blades, and PTO shaft will continue to rotate for a short time after the tractor PTO power is cut off. Be sure all rotation has stopped before attempting to service the machine, or approach it for any reason.
9. Never crawl under tha machine for any reason. It could fall on you! Never manually feed the machine for any reason. Never reach you hands, or feet under the deck of the cutter, without first being sure that the blades have ceased all movement and all power is cut off.
10. Chain guards (optional equipment) should be added to the machine when it is used in areas where people, animals, or property may be hit, or endangered by thrown objects. The rapidly rotating blades may strike, and throw wire, sticks, loose rocks, or trash with considerable force. Even with chain guards, it is recommended that the operator be sure to keep all persons, and animals far enough away form the operating area, to be completely clear of thrown objects.
11. Never allow riders on machine, or tractor!
12. Transport machine at safe speed.



ASSEMBLY AND SET-UP INSTRUCTIONS

- a. Set the dtag tongue into position and secure properly., Be sure to use lock washers and tighten bolts.
- b. Remove snap ring from in-put on gear box, attach the PTO shaft and install shear bolt. Be sure to replace the snap ring to the gear box in-put shaft. The snap ring will hold the PTO shaft in place if the gear bolt is sheared.
- c. Check all bolts including gear box mounting bolts, blade bolts and blade carrier bolt.
- d. Adjust the carriage axle with the top link to obtain the desired cutting position.
- e. Lubricate gear box, tail wheel hubs, PTO U-joints.
- f. Attach rotary cutter to tractor.

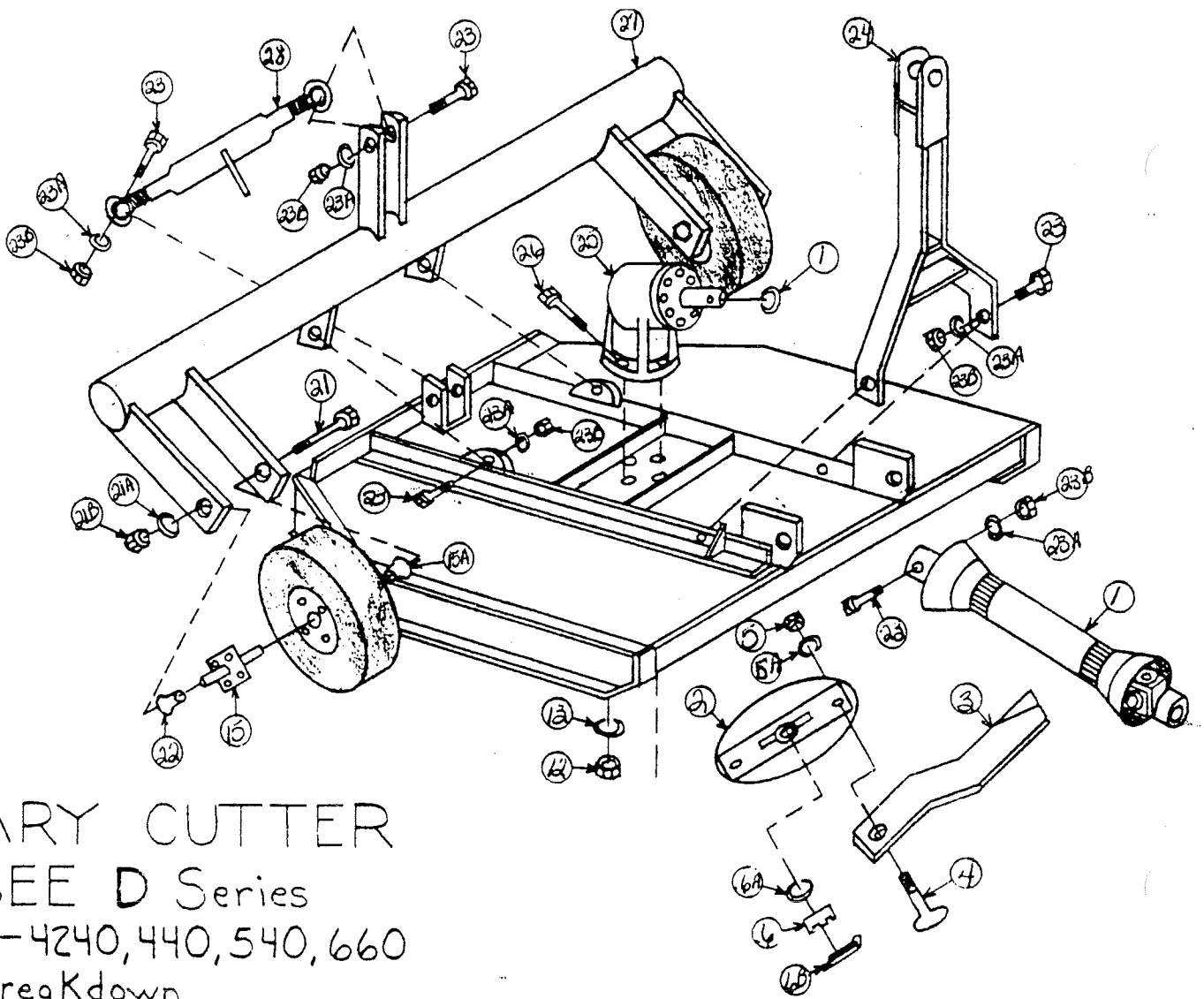
STARTING FOR THE FIRST TIME

- A. Engage the PTO, slowly. let the rotary cutter run slowly for several seconds and gradually increase throttle to operating speed. Watch carefully for signs of excessive vibration, or unusual noises. If any are noticed, disengage PTO, cut off tractor immediately, wait for complete stop of all moving parts, and investigate cause. A new gear box may be noisy at first, but usually a few hours use will mesh the gears and create a quieter, smoother operation.
- B. We suggest that you get the feel of your rotary cutter on open familiar ground. Remember that the centrifugal force of the rotary blades, and carrier, can keep pushing you forward, even after you have disengaged you clutch, unless your tractor is equipped with live PTO or an over running clutch. Therefore, approach obstacles with caution.

OPERATION

The Big Bee Rotary Cutters are designed for tractors ranging from 16hp to 70hp. Be sure to match the size and model of cutter to your tractor for safety and reliability.

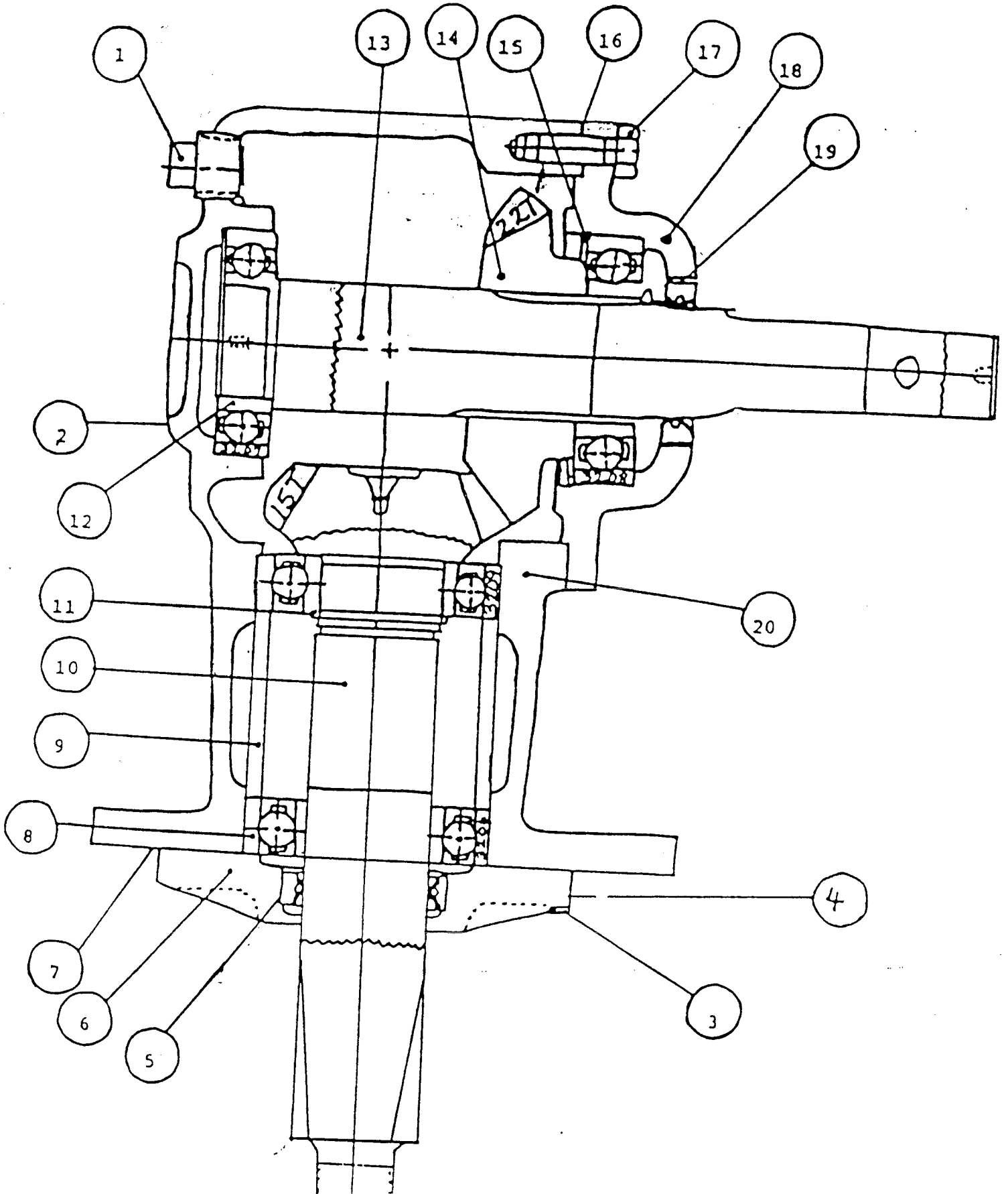
1. Check gear box for lubricant.
2. Check all lubrication points on PTO shaft and tail wheels.
3. Be sure all bolts are tight and snap rings are in place.
4. Be sure the rotary cutter is properly mounted on tractor
5. Adjust and level rotary cutter for desired cutting height.



ROTARY CUTTER
 BIG BEE D Series
 Models - 4240, 440, 540, 660
 Parts Breakdown

No.	Part No.	Description	Quantity	No.	Part No.	Description	Quantity
1		PTO Shaft	1				
2	621	BLADE CARRIER					
6		Nut, Blade Carrier					
6A		Washer, Blade Carrier					
6B		Cutter Key					
4		Bolt, Blade					
3		Blade					
5		Nut, Blade Bolt					
5A		Lock Washer					
15		Hub Assy.					
12		3/4 SAE Nut					
13		3/4 Lock Washer					
15A		Bushing, Hub tail wheel					
21		Axle, Tail wheel					
21A		Washer, Tail wheel					
21B		Nut, Tail wheel					
24		DRAG HITCH ASSY.					
23		Hex Bolt					
23A		Washer					
23B		Nut					
25		Gear Box					
26		Hex Bolt					
27		Tail wheel Fork Tube					
28		Pin					

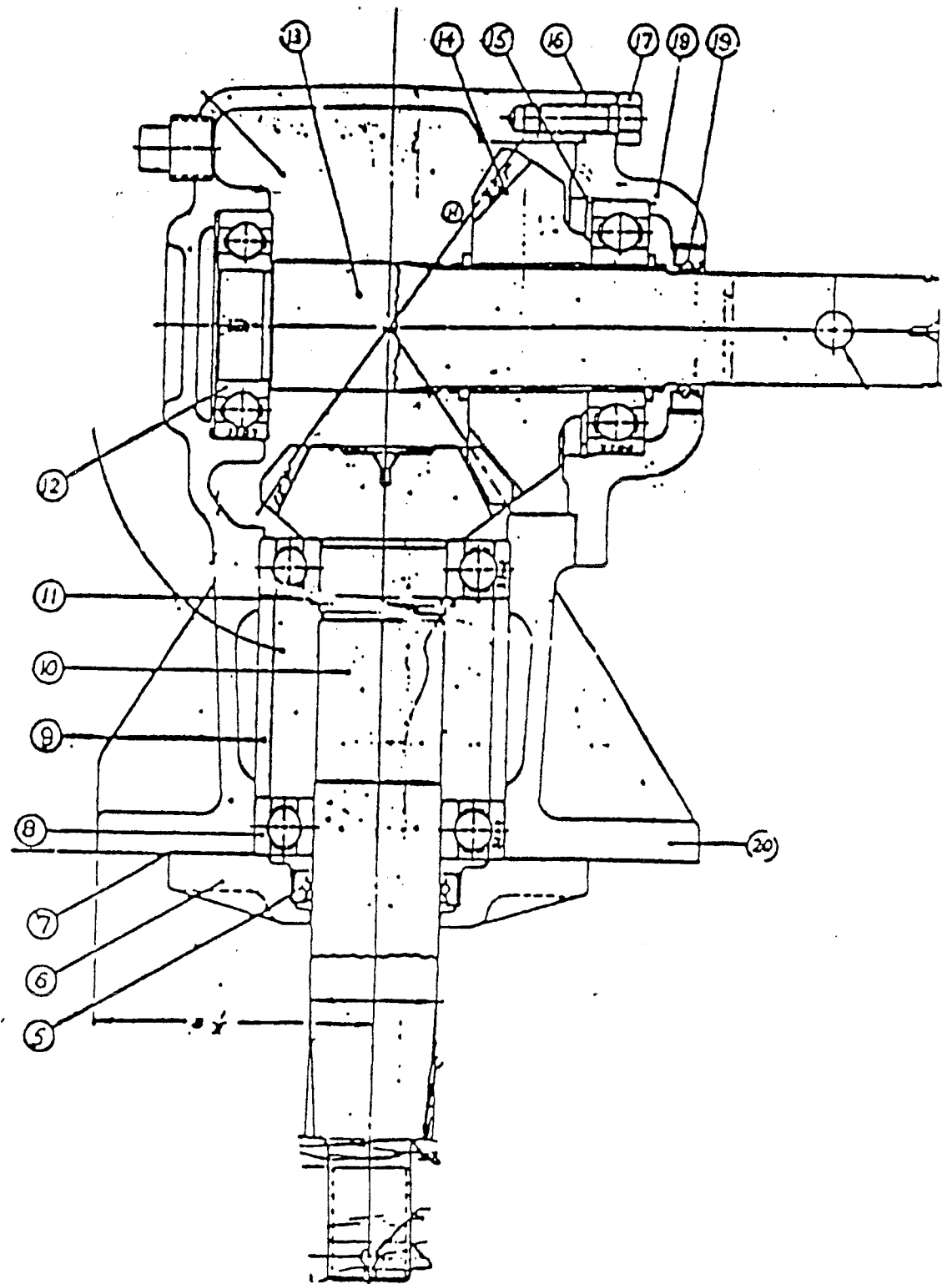
40 hp Gear box.



40 H.P. GEAR BOX BREAKDOWN

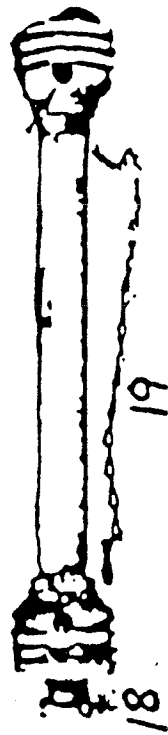
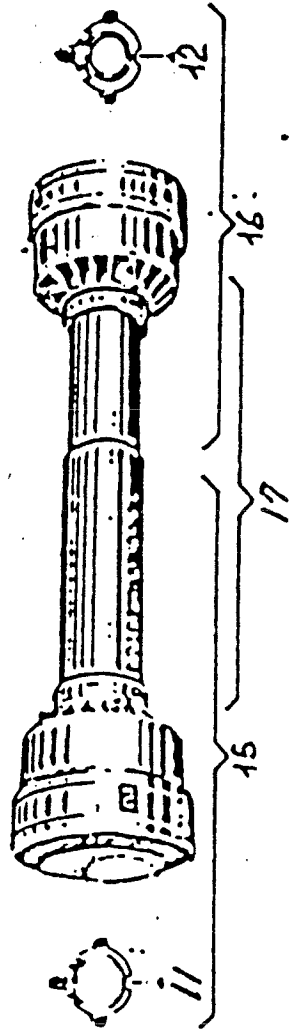
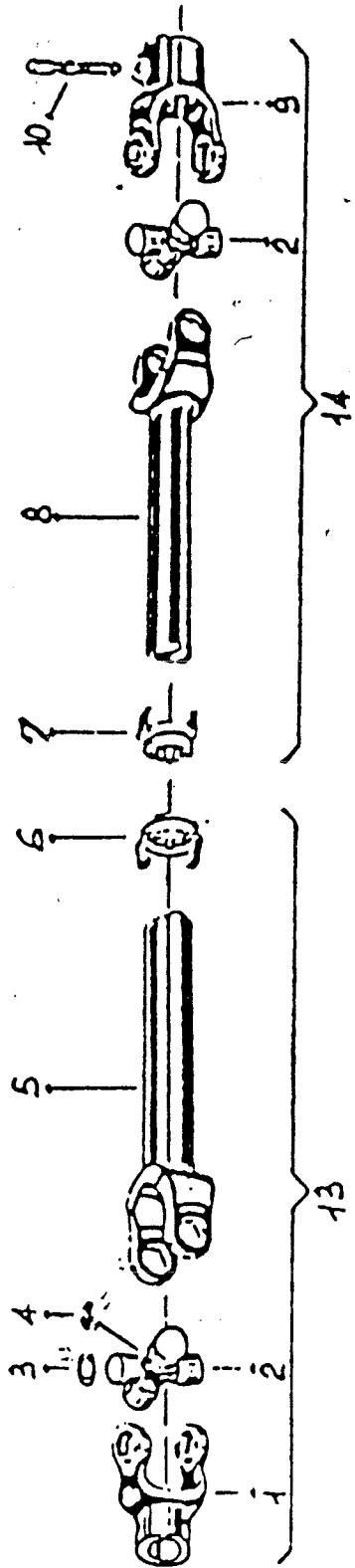
<u>REFERENCE NUMBER</u>	<u>PART NUMBER</u>	<u>DESCRIPTION</u>	<u>NUMBER REQUIRED</u>
1	03-04-101-12	Pipe Plug (fill) (1/2-14)	1
2	03-04-101-09	Pipe Plug (check) (1/8-27)	1
3	03-02-103-05	Capscrew 3/8" x 1"	6
4	03-03-102-08	Lockwasher	10
5	05-04-105-33	Bottom Oil Seal	1
6	10-30-104-11	Bottom Cap, Bearing Retainer	1
7	WA-48-12	Gasket	1
8	04-03-104-03	Bearing (3208)	3
9	10-30-107-01	Spacer	1
10	WA50-5E	Output Pinion	1
11	03-05-101-09	Retaining Ring	1
12	04-03-104-02	Bearing (3207)	1
13	10-30-103-02	Input Shaft Shear Pin	1
14	10-30-106-11	Input Gear	1
15	10-40-143-01	Retainer Ring	3
16	WA50-10-10A	Shim (.004)	as req.
17	03-02-103-04	Capscrew 3/8" x 1 1/4"	4
18	10-30-105-11	Side Housing (front cap)	1
19	05-02-106-06	Oil Seal (top) (N450135)	1
20	10-30-102-11	Housing	1

60 HP Gearbox (SMOOTH INPUT SHAFT)



GEAR BOX BREAKDOWN
60 H.P.

<u>REFERENCE NUMBER</u>	<u>PART NUMBER</u>	<u>DESCRIPTION</u>	<u>NUMBER REQUIRED</u>	<u>SUGGESTED LIST</u>
1		Main Housing	1	\$ 84.60
2	10-50-105-11	Gear Input	1	28.69
3	10-50-122-11	Pinion Output	1	61.56
4	10-50-123-01	Shaft Input	1	42.28
5	10-50-124-01	Spacer	1	9.68
6	10-50-104-12	Bottom Cap(Brg. retainer)	1	19.87
7	05-02-112-12	Oil Seal (top)	1	2.82
8	05-04-133-34	Oil Seal (bottom)	1	3.81
9	04-01-102-18	Cup, Bearing	1	4.99
10	04-01-101-23	Cone, Bearing	1	9.24
11	04-01-102-17	Cup, Bearing	1	4.49
12	04-01-101-22	Cone, Bearing	1	13.24
19	04-01-101-13	Cone, Bearing	1	11.55
20	04-01-102-09	Cup, Bearing	2	6.60
21	03-05-101-11	Retaining Ring	1	.42
22		3/8" Lock Washer	8	.42
23	03-04-101-09	Pipe Plug		.34
26	10-50-102-12	Side Housing Top Plate	1	20.82
92		Washer	1	.68
93		1" Castle Nut	1	2.38



BONDIOLI PARTS APPLICATION TO PTO SHAFTS ON BIG BEE ROTARY CUTTERS
(LW SERIES)

REF.	PART NO.	DESCRIPTION	APPLICATION			
			K38 LW4240	LW440	LW540	LW640
1	63481	IMPLEMENT YOKE	*		*	*
2	4.41	BEARING & CROSS KIT	*		*	*
3	4.11	CIRCLIP	*		*	*
4	2.44	GREASE ZERK	*		*	*
5	204.61-465	YOKE & OUTER TUBE	*			
5	204.61-590	YOKE & OUTER TUBE			*	
5	204.61-740	YOKE & OUTER TUBE				*
6	3.17.02	RING for OUTER TUBE	*		*	*
7	3.18.02	RING for INNER TUBE	*		*	*
8	204.62-490	YOKE & INNER TUBE	*			
8	204.62-615	YOKE & INNER TUBE			*	
8	204.62-765	YOKE & INNER TUBE				*
9	4.05.07	QUICK RELEASE YOKE	*		*	*
10	1.08.25.01	RELEASE YOKE PIN	*		*	*
11	4.G5.02	LOCK for OUTER SHIELD	*		*	*
12	4.G6.02	LOCK for INNER SHIELD	*		*	*
13	M12664,70	COMPLETE IMPLEMENT HALF	*			
13	M12666,70	COMPLETE IMPLEMENT HALF			*	
13	M12663.80	COMPLETE IMPLEMENT HALF				*
14	M12664.71	COMPLETE TRACTOR HALF	*			
14	M12666.71	COMPLETE TRACTOR HALF			*	
14	M12663.81	COMPLETE TRACTOR HALF				*
15	3.75.420	OUTER HALF SHIELD	*			
15	3.75.545	OUTER HALF SHIELD			*	
15	3.75.695	OUTER HALF SHIELD				*
16	3.74.420	INNER HALF SHIELD	*			
16	3.74.545	INNER HALF SHIELD			*	
16	3.74.695	INNER HALF SHIELD				*
17	M12664Z	COMPLETE SHIELD with LOCKS & RINGS	*			
17	M12666Z	COMPLETE SHIELD with LOCKS & RINGS			*	
17	M12663Z	COMPLETE SHIELD with LOCKS & RINGS				*
18	M14251	COMPLETE PTO SHAFT 32" SERIES #4	*			
18	M14255	COMPLETE PTO SHAFT 37" SERIES #4			*	
18	M14252	COMPLETE PTO SHAFT 43" SERIES #4				*
19		STAY CHAIN	*		*	*

GENERAL MAINTENANCE

1. Check oil level in gear box periodically. Keep level up to check plug. Use SAE 90 or SAE 140 transmission oil. Use caution not to over fill.
2. Lubricate universal joint on PTO shaft every few hours of use. Keep PTO shaft free of dirt and foreign materials so that it will telescope freely to avoid damage to your tractor or rotary cutter.
3. Lubricate tail wheel.
4. Keep blades sharp. When replacing worn blades, be sure to replace in pairs to maintain rotary balance.
5. Keep all bolts tightened properly.

WARRANTY

We warranty each new Big Bee Rotary Cutter against defect in material or workmanship for a period of 90 days or a reasonable period of time dependent upon the type of use of the machine.

In the event it is necessary to replace or repair any part(s) during the warranty period go to your dealer with the defective part(s) and he will assist you in securing the needed replacement, or return the defective part(s) to DHE-Warranty Division, PO Drawer J - Golden Road, Red Bay, AL 35582

Neither manufacturer or the dealer shall be held responsible for loss of use of the machine, loss of time, inconvenience, commercial loss or consequential damages.

In order for your Big Bee Rotary Cutter to be covered by our warranty policy, the equipment registration form on the back cover must be completed and returned within 10 days after the purchase date.

The warranty policy is not effective unless the equipment registration is recorded in our office.

PROCEDURE FOR REMOVING BLADES FROM BIG BEE ROTARY CUTTERS

There are two (2) ways to remove blades from the Big Bee Rotary cutters for replacement and/or sharpening. One procedure is accomplished by cutting a hole in the top deck of the rotary cutter either directly behind or in front of the gearbox. The preferred position would be in the front but either place is permissible. To find the proper location for hole placement, measure seven (7) inches from the center of the gearbox. This point will be the center of the hole to be drilled. The location of this hole will also be approximately two (2) inches from the gearbox mounting plate. The hole you cut (drill) should be at least three inches in diameter. This hole will allow you to utilize a socket for fast and easy removal of the blades from the stump jumper.

The second method of removal is by taking the key and castle nut off of the gearbox output shaft. This allows you to remove the complete stump jumper. Alternating blows to the head of the blade bolts allows you to "walk" the entire jumper from the shaft. When removal of the jumper from the shaft is completed you need only to remove the blades from the jumper to sharpen or replace.

CAUTION: ALWAYS BE SURE TO WEAR PROTECTIVE EYE GEAR TO AVOID INJURY WHILE CUTTING OR HAMMERING.

CAUTION: BE SURE BLADES ARE NOT IN MOTION BEFORE ATTEMPTING TO REMOVE BLADES FROM MACHINE.