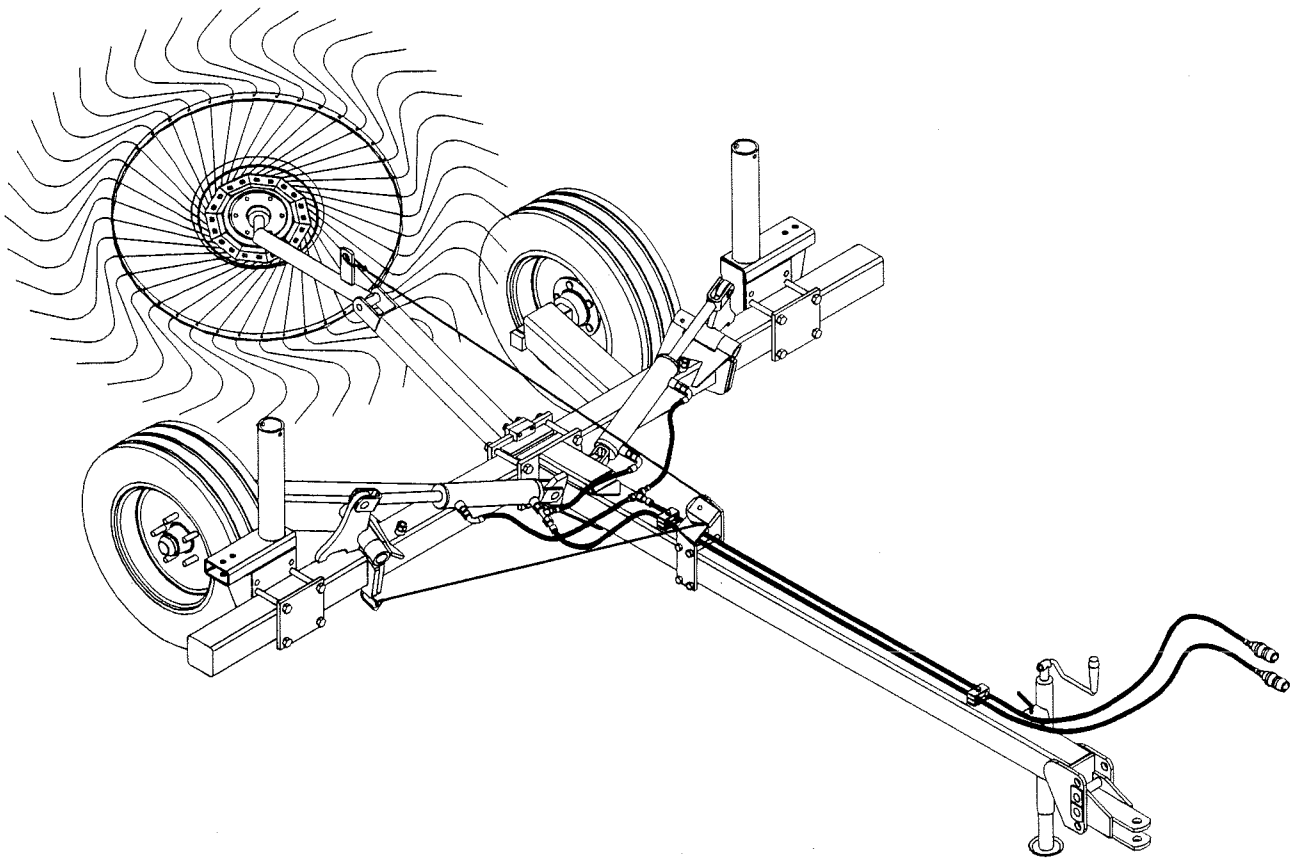


AGRICULTURAL MACHINERY

sitrex®
s.r.l.

SPARE PARTS LIST



**ASSEMBLY KIT TO ATTACH
RP/1 TO CART H90**

TABLE NO. 920.133 REAR PART

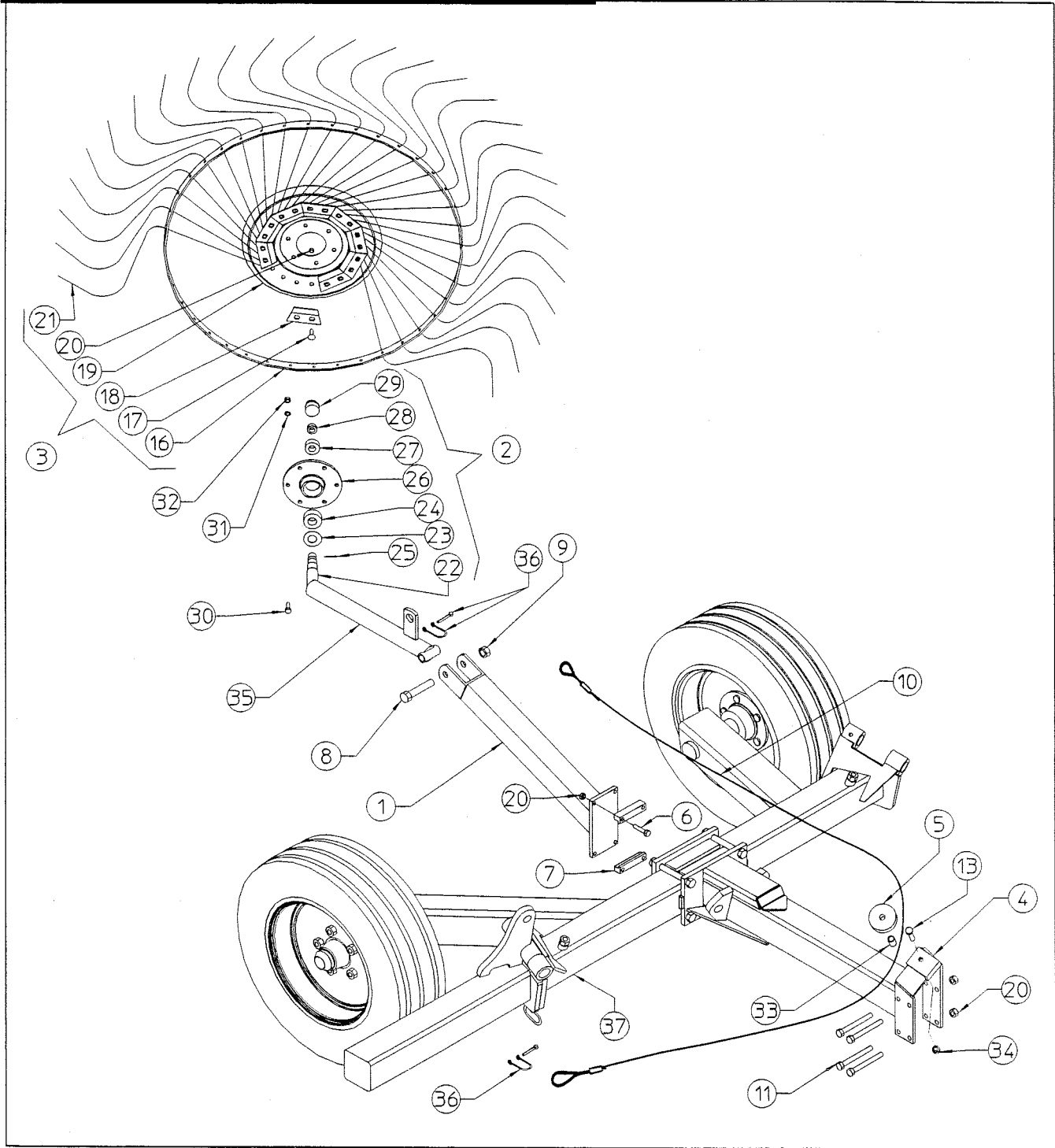
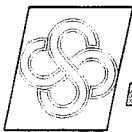
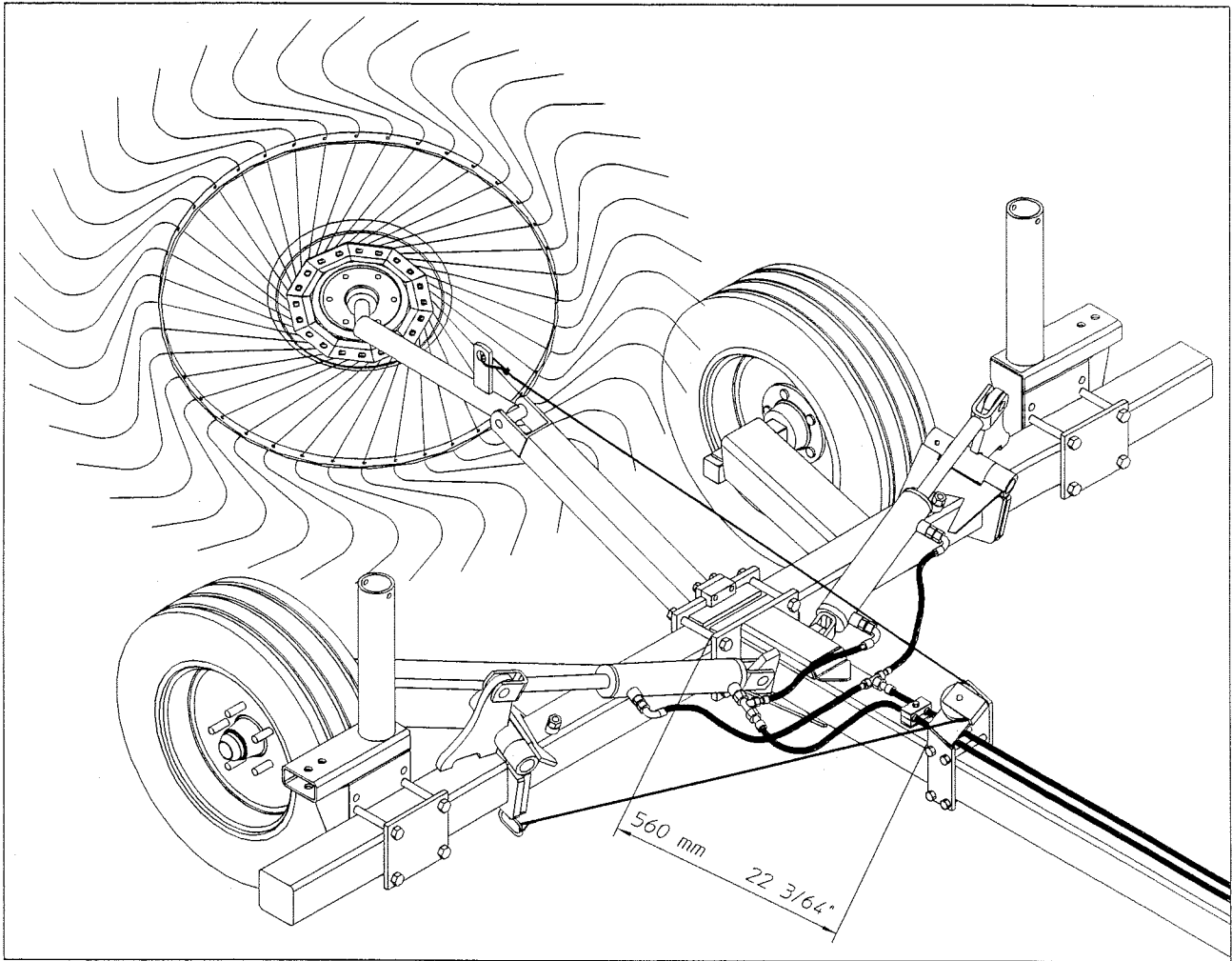


TABLE NO. 920.133 CENTRAL WHEEL KIT				
ITEM	Q.ty	PART NO	DESCRIPTION	NOTE
1	1	220.446	ARM	
2	1	205.041	HUB ASSY	
3	1	210.181	WHEEL ASSY, LH	
4	1	210.580	BRACKET	
5	1	200.741	PULLEY	
6	4	600.439	SCREW M10	
7	2	220.445	WHEEL SUPPORT HITCH	
8	1	600.265	SCREW M18 X100 UNI 5737	
9	1	600.078	NUT	
10	1	200.748	STEEL CABLE	
11	4	610.282	SCREW M10 X130 UNI 5737	
13	1	600.754	SCREW M12 X 55 UNI 5737	
16	1	200.009	RIM	
17	20	600.005	SCREW	
18	10	200.012	TINE LOCK	
19	1	200.010	FLANGE	
20	24	600.029	NUT M10 DIN 980	
21	40	200.011	TINE	
22	1	205.277	PIN	
23	1	600.011	DUST COVER	
24	1	600.012	BEARING	
25	1	600.301	SPLIT PIN	
26	1	205.291	HUB	
27	1	600.014	BEARING	
28	1	600.015	NUT	
29	1	600.016	CAP	
30	6	600.006	SCREW	
31	6	600.024	WASHER	
32	6	600.010	NUT	
33	1	210.581	BUSHING	
34	1	600.077	NUT	
35	1	210.578	HOOK	
36	1	600.761	FORK ASSY	
*	*	210.577	COMPLETE KIT	



AGRICULTURAL MACHINERY
sitrex[®] s.r.l.

Zona Industriale-Via L. Paciolini,22
06018 TRESTINA-(Perugia)-ITALY
Tel.(075)8540021-Telefax (075)8540523

