



SHAYER

OPERATOR'S MANUAL MODEL SC-50 StumpBuster™

CAUTION

Gearbox does NOT contain oil.
Fill with 6 pints of
SAE 90 oil
BEFORE OPERATING



DANGER

**PIVOT POINT!! KEEP AWAY.
CONTACT MAY RESULT IN
INJURY OR DEATH.**



SHAYER MFG. SC-50 Stump Cutter

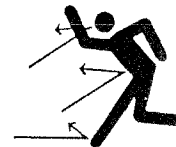


DANGER

**OPERATE FROM TRACTOR
SEAT ONLY**
**KEEP OTEHRS AWAY FROM STUMP
CUTTER WHEN IN OPERATION**
**CONTACT MAY RESULT IN INJURY
OR DEATH**



DANGER



**TRACTOR FLYING
DEBRIS FROM CUTTING
WHEEL**

Keep away from stump
cutter while in operation.
Contact may cause
injury.

Shaver Manufacturing Co.

Graettinger, Iowa 51342 • (712) 859-3293



SAFETY INSTRUCTIONS



- Make sure all pins are secure and locked in the hitch before putting machine in operation.
- DO NOT sit on the cutter frame or any part of unit.
- Read Operator's Manual before operating unit.
- DO NOT wear loose clothing while operating machine.
- Shut off tractor and set brakes before leaving tractor seat.
- KEEP SPECTATORS CLEAR OF IMPLEMENT WHEN IN OPERATION.

THE PACKING LIST

The StumpBuster™ is shipped in one unit, ready to mount on a Category II Tractor. The Operator's Kit is attached in a Plastic Bag and contains:

SC-50-15	Carbide Tooth (3)
SC-50-83	Category I Pin (2)
SC-50-Opman	Operator's Manual & Warranty

MOUNTING & ASSEMBLY INSTRUCTIONS

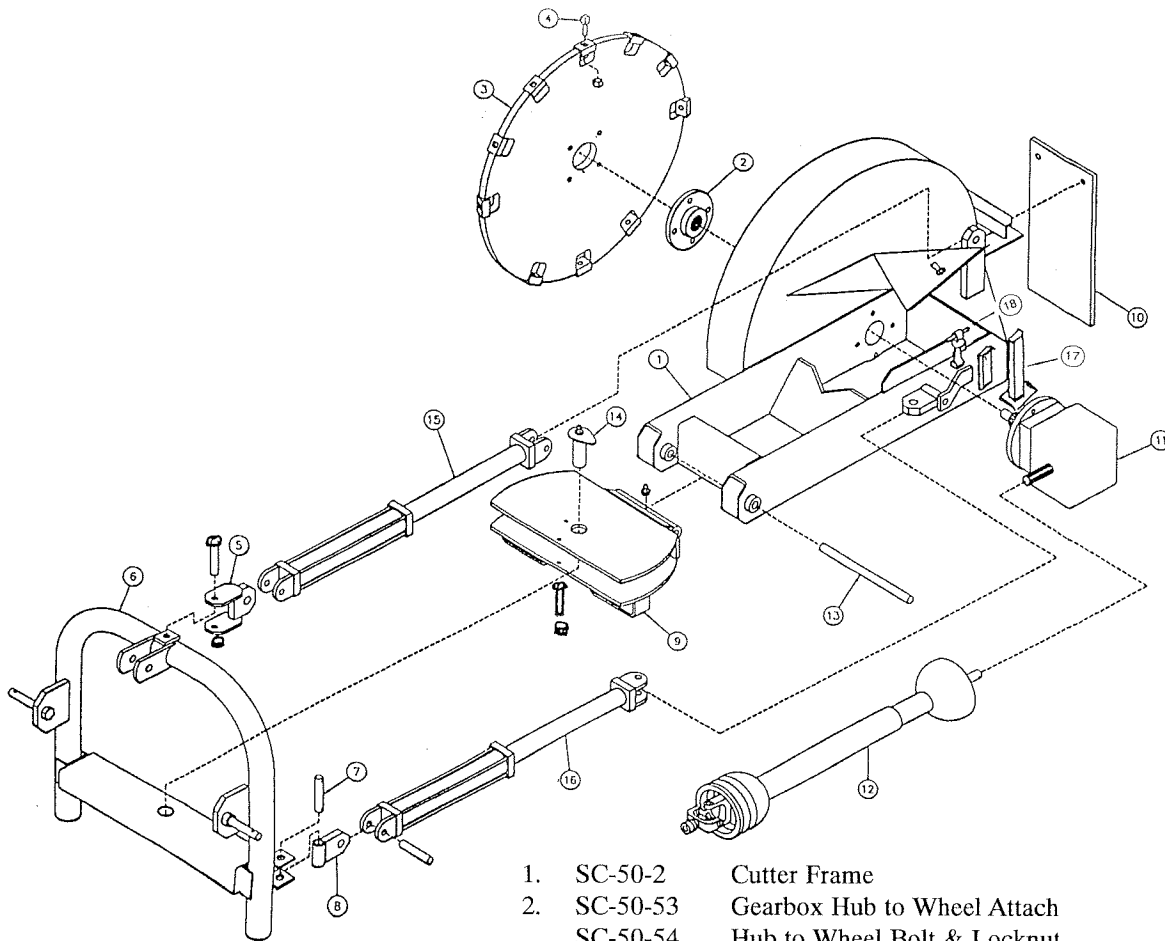
NOTE: (Refer to illustration on back page)

1. Remove Operator's Kit from Unit.
2. Read the Operator's Manual before operating.
3. Fill Gearbox with 6 pints of SAE90 oil.
GEARBOX DOES NOT CONTAIN OIL. FILL BEFORE OPERATING.
4. Put grease in the 2) Grease Zerks on the Swivel Attachment (#9)
5. Position Tractor's 3 point arms in front of the StumpBuster™.
6. Attach Tractor's 3 point arms to the StumpBuster™ 3 Pt. Attachment (#6) using the Cat. I or II pins provided.
7. Connect provided hoses (4) to quick couplers obtained locally.
8. Attach quick couplers to Tractor's power source.
9. Pull StumpBuster's™ slip collar back or push Slip Pin in. Position StumpBuster's™ PTO Shaft end (#12) to the tractor's PTO end. Make sure the connection is secure. Slip Collar or Slip Pin should snap back into original position.

OPERATING INSTRUCTIONS

NOTE: (Refer to illustration on back page)

1. Raise Top cylinder (#15) to release Jack Stand (#17) pressure.
Raise Jack Stand to upper position. Secure with pin provided.
2. Raise unit off the ground and position at the stump to be removed.
3. Engage PTO Shaft (#12) with proper lever.
4. Lower StumpBuster™ Cutting Wheel (#3) to desired depth by pulling proper lever.
5. Pull proper lever controlling Side Cylinder (#16) of StumpBuster™ and start grinding the stump.
6. Pull proper lever to return StumpBuster™ to starting position. Repeat Step #5 until stump is removed.
7. When finished grinding stump, disengage PTO Shaft (#12).
8. RAISE TOP CYLINDER (#15) TO THE HIGHEST POSITION.
FAILURE TO DO THIS WILL DAMAGE THE PTO SHAFT!!!!
9. Raise unit off the ground with proper lever controlling the 3 point Attachment (#6)
10. TO GRIND MORE STUMPS, repeat steps 2 through 9 at the next stump.
TO DISMOUNT OR STORE:
 - * Lower Jack Stand (#17) and secure with pin.
 - * Pull proper lever to lower 3 pt. (#6) to ground.
 - * Pull proper lever to lower Top Cylinder (#15) until Jack Stand (#17) is secure on ground.
 - * Unhook the 4 hoses.
 - * Pull pins from 3-Pt. arms.



- | | | |
|-----|------------|--------------------------------|
| 1. | SC-50-2 | Cutter Frame |
| 2. | SC-50-53 | Gearbox Hub to Wheel Attach |
| | SC-50-54 | Hub to Wheel Bolt & Locknut |
| 3. | SC-50-91A | Cutting Wheel less Teeth |
| 4. | SC-50-15 | Carbide Teeth |
| 5. | SC-50-62D | Top Cylinder Swivel Attach |
| | SC-50-81 | Top Cylinder/ Swivel Bolt |
| | SC-50-82 | Top Cylinder/Swivel Nut |
| 6. | SC-50-8 | 3-Pt. Attachment Bracket |
| | SC-50-83 | Tractor Attach Pin (Cat.I) |
| | C-50-83A | Tractor ATtach Pin (Cat II) |
| 7. | SC-50-71 | Side Cylinder/Swivel Pin Comp. |
| 8. | SC-50-61-E | Side Cylinder/Swivel Attach |
| 9. | SC-50-70 | Swivel Assembly |
| | SC-50-73 | Grease Zerk |
| | SC-50-74 | Swivel Bolt & Locknut |
| 10. | SC-50-3 | Safety Shield w/Bolts |
| | SC-50-32 | Safety Shield Bolt (1/4x1) |
| | SC-50-33 | Safety Shield Nut (1/4) |
| | SC-50-34 | Safety Shield Washer (1/4) |
| 11. | SC-50-5 | Gearbox w/Bolts |
| | SC-50-52 | Gearbox Bolt & Locknut |
| 12. | SC-50-54 | PTO w/Slip Clutch |
| 13. | SC-50-71 | Swivel Assy. Pin Complete |
| 14. | SC-50-72 | Swivel/3-Pt. Pin Complete |
| 15. | SC-50-62 | Top Cylinder Complete |
| | SC-50-621 | Top Cylinder Pin w/Clip |
| 16. | SC-50-61 | Side Cylinder Complete |
| | SC-50-613 | Side Cylinder Pin w/Clips |
| 17. | SC-50-27 | Jack Stand Leg w/Lynch Pin |
| 18. | SC-50-3A3 | Rubber Strap Assy. |



Making hard work easy

Shaver Manufacturing Company
Setting the standard in fencing and landscape equipment