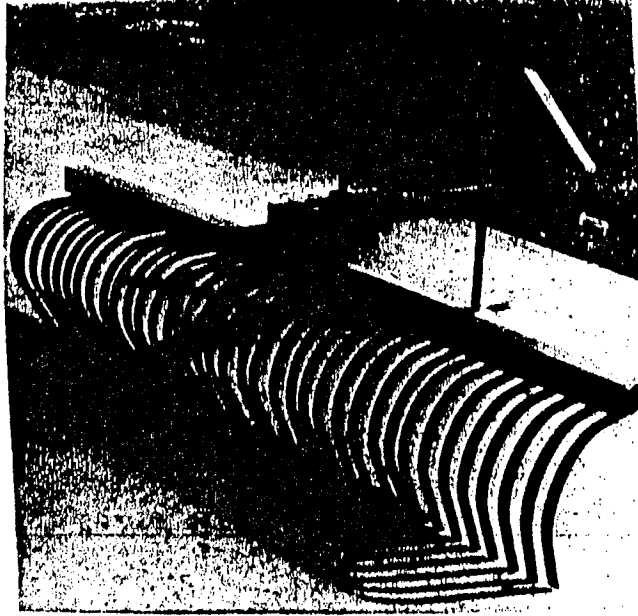


UTILITY RAKE



UTILITY RAKE
OWNER'S/OPERATORS
MANUAL

SPECIFICATIONS:

SIZE: 4', 5', 6', 7', 8'
NO# RAKING TEETH: 4' -- 24
5' -- 30
6' -- 36
7' -- 42
8' -- 48
HEIGHT: 42"
DEGREE OF ANGLE: 30 - 45 DEGREE LEFT OR RIGHT
HITCH: 3 PT. CAT. I
WEIGHT: 4' -- 195 LB.
5' -- 205 LB.
6' -- 220 LB.
7' -- 240 LB.
8' -- 275 LB.
OVERALL HEIGHT: 44"

OPTIONS:

FACTORY OPTION OR FIELD INSTALLED, WELD ON SOLID RUBBER
(3.00 X 12) ADJUSTABLE GUAGE WHEEL.

ASSEMBLY:

THE UTILITY RAKE IS SHIPPED COMPLETELY ASSEMBLED FROM THE
FACTORY. THERE IS NO FURTHER ASSEMBLY REQUIRED BY THE DEALER
OR THE CUSTOMER UPON ARRIVAL. THE UTILITY RAKE IS DESIGNED
FOR A CAT.I HITCH. THE RAKE IS OFFERED IN FIVE (5) DIFFERENT
SIZES (4',5',6',7',8').

SPECIAL NOTICE: ALL WARRANTY IS VOID WHEN THE UTILITY RAKE IS
USED WITH A TRACTOR EXCEEDING 55 HP.

SPECIAL NOTICE: THE UTILITY RAKE IS DESIGNED TO REMOVE LOOSE
OBJECTS. IT IS NOT DESIGNED TO PULL OBJECTS
OUT OF THE GROUND!!

SET UP FOR OPERATION:

WHEN ATTACHING THE RAKE TO THE TRACTOR, CONNECT THE TRACTOR LIFT ARMS TO THE IMPLEMENT PINS ON THE RAKE AND SECURE WITH RETAINING PINS. CONNECT THE TOP LINK OF THE TRACTOR TO THE UPRIGHT-A-FRAME AND ADJUST THE TOP LINK UNTIL DESIRED POSITION IS ACHIEVED. TO PREVENT EXCESSIVE SIDE MOVEMENT OF RAKE USE STABILIZER BARS OR CHECK CHAINS.

OPERATION AND ADJUSTMENT:

THE UTILITY RAKE HAS FIVE (5) ANGLE ADJUSTMENTS. THESE ALLOW THE OPERATOR TO DISTRIBUTE MATERIAL TO EITHER SIDE OF THE TRACTOR. THE ANGLES ARE PLACED AT APPROXIMATELY 30 AND 45 DEGREES RIGHT OR LEFT AS WELL AS A 90 TRANSPORT/RAKING POSITION. ADJUSTMENT IS MADE BY REMOVING THE POSITIONING PIN AT THE REAR OF RAKE AND MOVING TO THE DESIRED ANGLE BEFORE REPLACING PIN.

THE ADJUSTMENT OF PITCH FOR THE RAKE IS OBTAINED BY THE LENGTHENING OR SHORTENING OF THE TOP LINK.

WHEN RAKING MATERIAL SUCH AS LEAVES, PINE STRAW, OR GRASS CLIPPINGS WHICH NORMALLY WOULD NOT DAMAGE TRACTOR TIRES, IT IS BEST TO RAKE IN A FORWARD MOTION. WHEN CLEANING UP AROUND A BUILDING WHERE DEBRI SUCH AS BROKEN BRICKS, ROCKS, BOARDS CONTAINING NAILS, AND OTHER DANGEROUS MATERIALS IS PRESENT, ROTATE THE RAKE 180 DEGREES AND PUSH WITH THE TRACTOR. THIS WILL REMOVE THE MATERIAL WITH LESS DANGER OF DAMAGE TO THE TRACTOR.

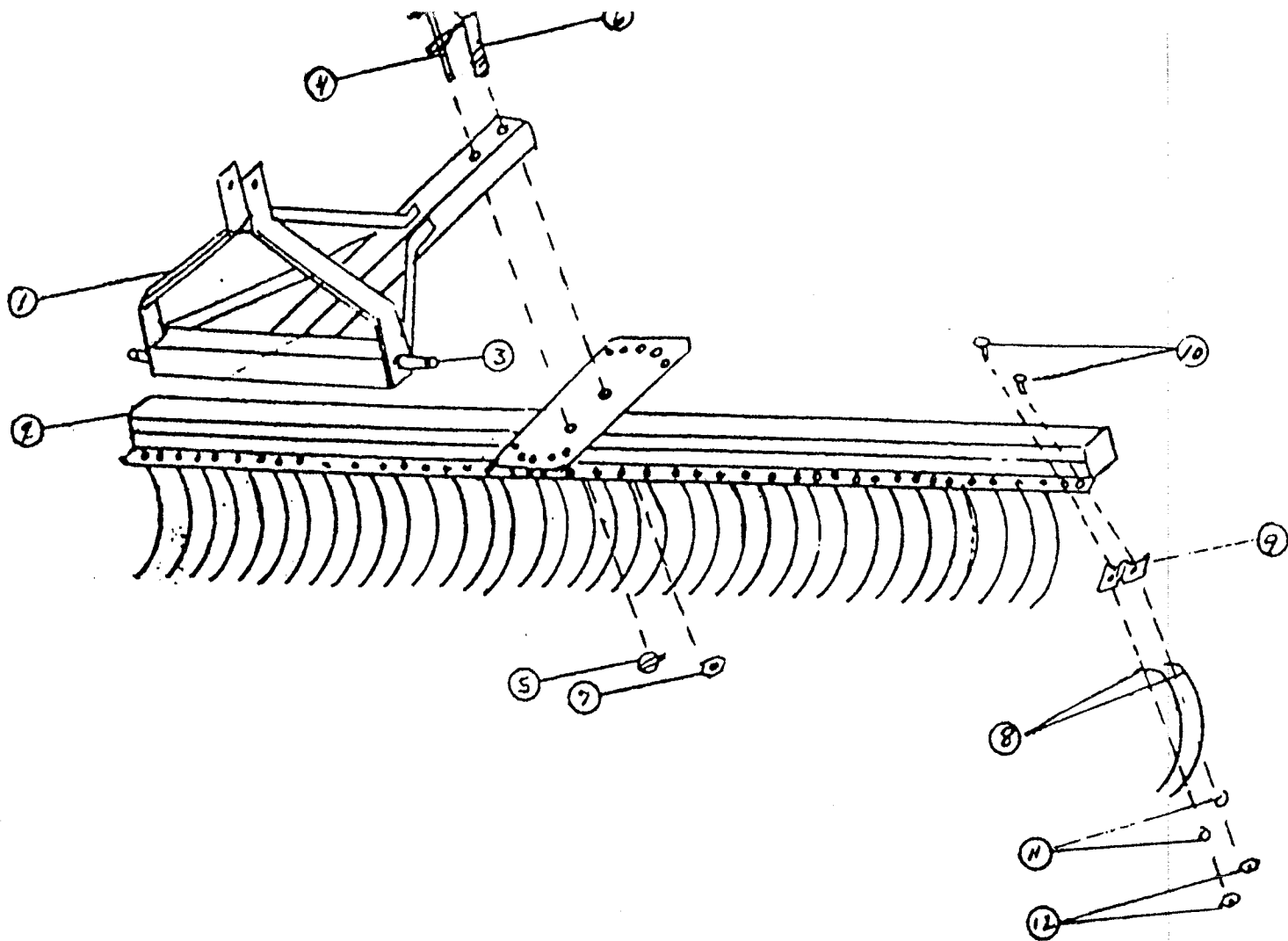
WHEN USING THE RAKE TO PUSH DEBRI INTO A DITCH FOR DISPOSAL, USE THE RAKE IN THE MANNER DESCRIBED ABOVE.

DETACHING AND STORAGE:

LOWER THE RAKE TO THE GROUND, PLACE THE TRACTOR IN THE NEUTRAL POSITION, LOCK THE BRAKES AND SHUT OFF THE ENGINE. BE SURE TO PLACE ADEQUATE SUPPORT UNDER THE RAKE'S A-FRAME BEFORE DISCONNECTING THE TOP LINK AND LOWER LIFT ARMS FROM THE RAKE.

SAFETY PRECAUTIONS:

1. ALWAYS WATCH THE FRONT AS WELL AS THE REAR OF THE TRACTOR WHEN USING THE UTILITY RAKE.
2. BE SURE TO KEEP TRACTOR AT A SAFE SPEED ESPECIALLY IN ROUGH TERRAIN.
3. WHEN YOU LEAVE YOUR TRACTOR BE SURE TO LOWER THE RAKE TO THE GROUND AND STOP YOUR TRACTOR'S ENGINE.
4. MAKE ADJUSTMENTS TO YOU RAKE (SUCH AS ADJUSTING ANGLE) ONLY WHEN IT IS ATTACHED TO YOUR TRACTOR.
5. REMEMBER THE RAKE IS DESIGNED TO REMOVE LOOSE OBJECTS SO AVOID CATCHING THE RAKE ON STUMPS OR OTHER IMMOVABLE OBJECTS.
6. TO PREVENT EXCESSIVE SWAYING DURING OPERATION OR DURING TRANSPORT, USE STABILIZER BARS OR SAFETY CHECK CHAINS.
7. ALLOW EXTRA TURNING ROOM WHEN THE RAKE IS ATTACHED TO TRACTOR. KEEP IN MIND THAT THE OVERALL LENGTH OF YOUR TRACTOR IS INCREASED WITH THE RAKE.
8. WHEN TRANSPORTING THE RAKE, RAISE IT TO THE MAXIMUM HEIGHT TO ALLOW PLENTY OF GROUND CLEARANCE.
9. KEEP HANDS AND FEET FROM UNDERNEATH THE RAKE WHEN DISCONNECTING OR CHANGING POSITION OF THE ANGLE.



REF#	PART#	DESCRIPTION	4'	5'	6'	7'	8'
1	35169	MAIN HITCH FRAME	1	1	1	1	1
2	UR4	MAIN RAKE FRAME	1	*	*	*	*
2	UR5	MAIN RAKE FRAME	*	1	*	*	*
2	UR6	MAIN RAKE FRAME	*	*	1	*	*
2	UR7	MAIN RAKE FRAME	*	*	*	1	*
2	UR8	MAIN RAKE FRAME	*	*	*	*	1
3	P728	IMPLEMENT PINS	2	2	2	2	2
4	35182	ADJUSTING PIN	1	1	1	1	1
5	P791	LYNCH PINS	1	1	1	1	1
6	****	1" X 5" BOLT NC	1	1	1	1	1
7	****	1" LOCKNUT NC	1	1	1	1	1
8	35271	RAKE TINE	24	30	36	42	48
9	35272	RAKE TINE CLAMP	12	15	18	21	24
10	****	3/8" X 1 1/4" BOLT NC	24	30	36	42	48
11	****	3/8" LOCK WASHER	24	30	36	42	48
12	****	3/8" NUT NC	24	30	36	42	48
**	*****	HARDWARE--BUY LOCALLY					

