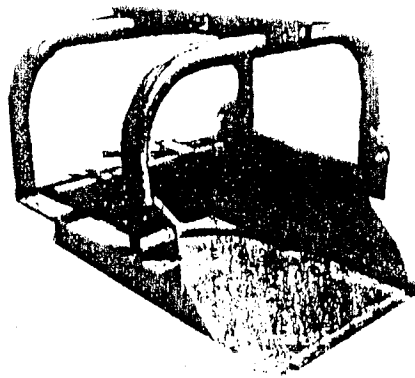


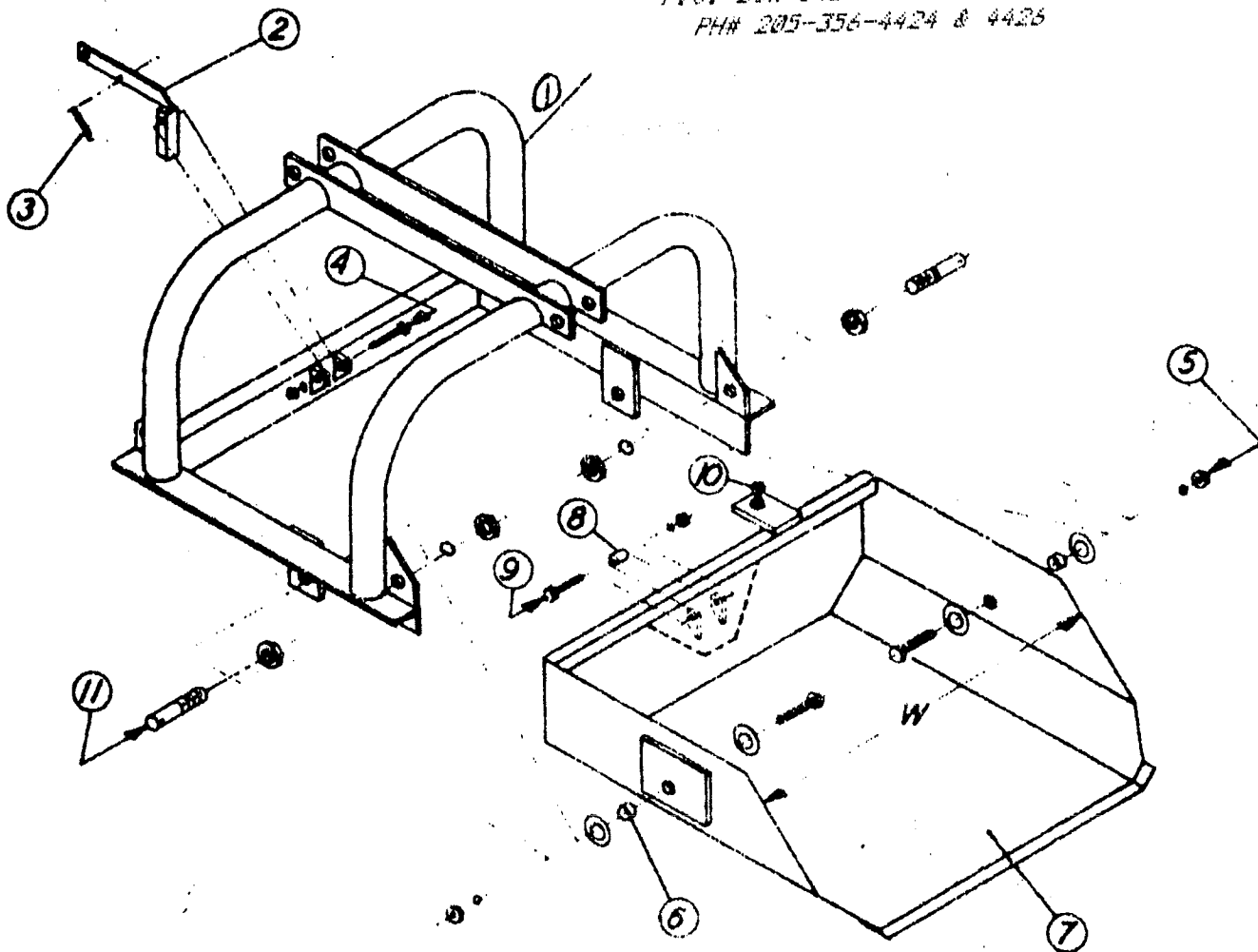
REVERSIBLE DIRT SCOOP

OWNER'S/OPERATORS MANUAL



DARRELL HARP ENTERPRISES, INC.

P.O. BOX 140 RED BAY, AL 35562
 PH# 205-356-4424 & 4426



REVERSIBLE TRIP SCOOP
 PARTS LIST

NOTE:

MODEL 300 W = 30"
 MODEL 400 W = 36"
 MODEL 200 W = 24"

ITEM*	QUAN.	MODEL	MODEL	MODEL	DESCRIPTION
		200 PART#	300 PART#	400 PART#	
1	1	200-1	300-1	400-1	FRAME
2	1	200-2	300-2	300-2	TRIP ARM
3	1	200-3	300-3	300-3	TRIP SPRING
4	1	200-4	300-4	300-4	TRIP HINGE BOLT ASSY.
5	2	200-5	300-5	300-5	PIVOT BOLT ASSY.
6	2	200-6	300-6	300-6	PIVOT BUSHING
7	1	200-7	300-7	400-7	SCOOP
8	1	200-8	300-8	300-8	TRIP ROLLER
9	1	200-9	300-9	300-9	ROLLER BOLT ASSY.
10	1	200-10	300-10	300-10	ADJUSTING ASSY.
11	2	FT-24	FT-24	L-7-66	LIFT PIN ASSY.