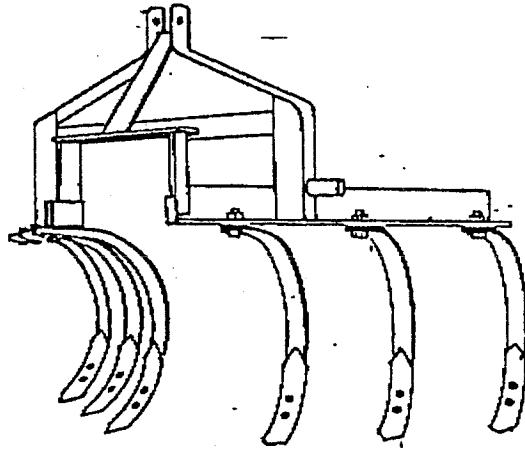


ONE--ROW CULTIVATOR

OWNER'S -- OPERATORS MANUAL



ONE ROW CULTIVATOR

SPECIFICATIONS:

HEIGHT:	37 1/2"
WIDTH:	ONE ROW
OVERALL WIDTH:	50"
NO# OF TINES:	6 SPRING TYPE
SHOVELS:	2" REVERSABLE
HITCH:	3pt. CAT.I
CROP CLEARANCE:	17"
WEIGHT:	120 LB.
OVERALL DEPTH:	37"

THE ONE ROW CULTIVATOR COMES STANDARD WITH A BRACKET TO ACCEPT A COVINGTON ONE ROW PLANTER (TP46).

ASSEMBLY:

THE ONE ROW CULTIVATOR IS SHIPPED TO THE DEALER UNASSEMBLED FOR SHIPPING CONVENIENCE. THE CULTIVATOR CONSISTS OF 4 SEPARATE BUNDLES. 1-- MAIN BODY, 1-- BUNDLE OF SPRING TINES, 1-- BUNDLE OF 2" REVERSIBLE POINTS, AND 1-- BAG OF BOLTS. TO ASSEMBLE CULTIVATOR ATTACH SPRING TINES TO MAIN BODY USING ONE 5/8 X 2 COARSE THREADED BOLT WITH NUT AND WASHER PER TINE. ATTACH 2" REVERSIBLE POINTS TO TINES USING TWO 7/16 X 1 1/2" #3 HEAD PLOW BOLTS WITH NUTS AND FLAT WASHERS.

CULTIVATOR AND TRACTOR PREPARATION:

THE ONE ROW CULTIVATOR IS DESIGNED TO BE USED WITH 16 TO 20 HP. TRACTORS EQUIPPED WITH CAT.I HITCHES.

SPECIAL NOTICE:

ALL WARRANTY IS VOID WHEN THE ONE ROW CULTIVATOR IS USED WITH A TRACTOR IS EXCESS OF 20 HP.

ATTACHING AND DISCONNECTING:

WHEN ATTACHING THE ONE ROW CULTIVATOR TO THE TRACTOR, BACK UP TO THE CULTIVATOR AND LOWER TRACTOR LIFT ARMS. SET BRAKES AND KILL THE ENGINE BEFORE DISMOUNTING TRACTOR. ATTACH THE TRACTOR LIFT ARMS TO THE IMPLEMENT PINS ON THE CULTIVATOR AND SECURE WITH RETAINER PINS. ATTACH THE TOP LINK TO THE UPRIGHT A-FRAME ON CULTIVATOR AND SECURE WITH TOP LINK AND RETAINER PINS.

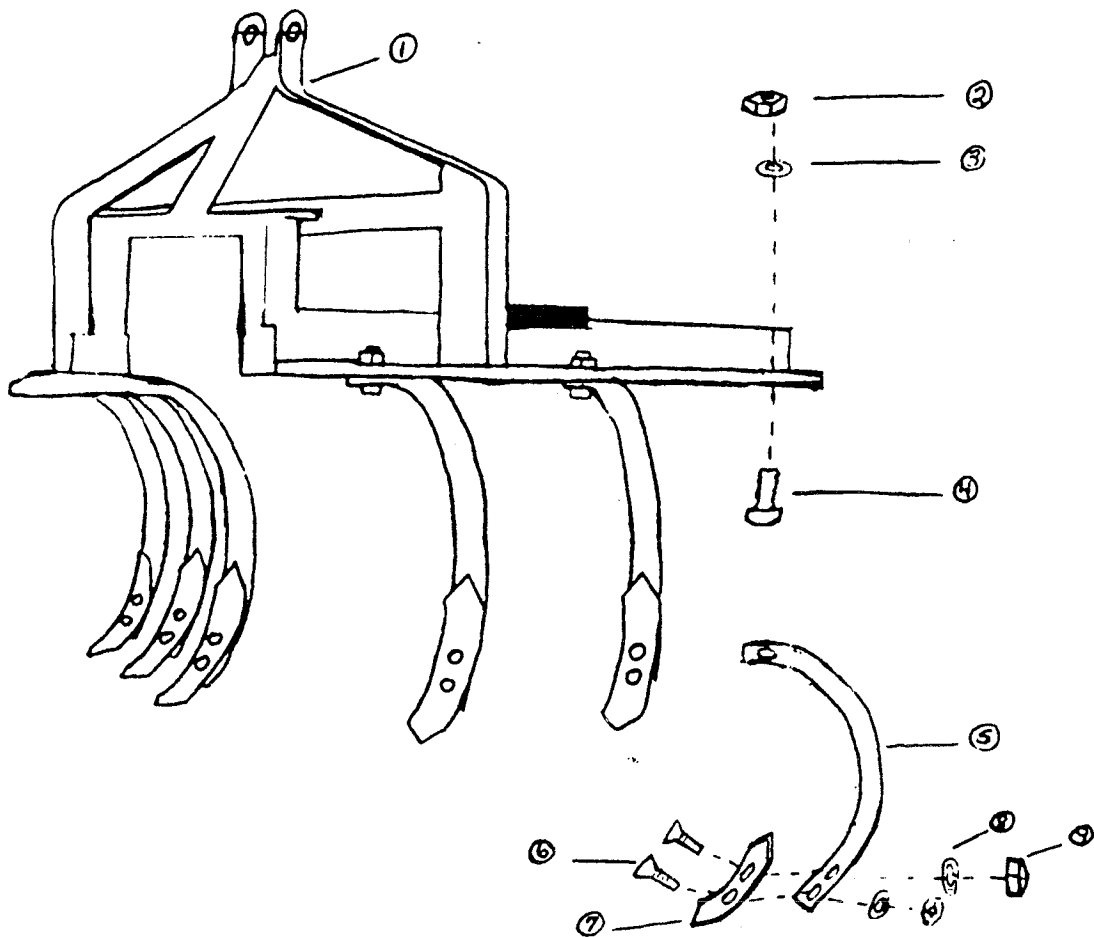
WHEN DISCONNECTING THE CULTIVATOR FROM THE TRACTOR LOWER THE CULTIVATOR TO THE GROUND AND PLACE A REINFORCEMENT UNDER THE FRONT PORTION OF THE CULTIVATOR TO PREVENT AN ACCIDENTIAL TIP OVER. REMOVE LIFT ARMS AND TOP LINK FROM CULTIVATOR.

CAUTION:

BEFORE REMOVING THIS OR ANY PIECE OF EQUIPMENT FROM A TRACTOR BE SURE THAT TRACTOR BRAKES ARE SET AND THE TRACTOR ENGINE HAS BEEN STOPPED.

OPERATION:

1. SET THE SHANKS ON THE CULTIVATOR TO CONFORM WITH THE WIDTH OF THE ROWS TO BE CULTIVATED.
2. TO KEEP THE CULTIVATOR IN LINE WITH THE TRACTOR AND TO AVOID EXCESSIVE SWAYING EITHER WHILE CULTIVATING OR TRANSPORTING, A STABILIZER BAR OR CHECK CHAINS SHOULD BE ADDED.
3. ALWAYS REMEMBER THAT THE OVERALL LENGTH OF THE TRACTOR IS INCREASED WHEN THE CULTIVATOR IS ATTACHED. ALLOW EXTRA TURNING ROOM WHEN ATTACHED TO THE CULTIVATOR.



REF. #	PART#	DESCRIPTION	QTY.
1	102-1	MAIN FRAME	1
2	**	5/8" NUT NC	6
3	**	5/8" LOCK WASHER	6
4	**	5/8" X 2" BOLT NC	6
5	102-2	1 3/4" X 29 1/2" X 3/8" TINE	6
6	**	7/16" X 1 1/2" NC PLOW BOLT	12
7	102-3	1 3/4" X 10 1/2" REVERSABLE POINT	6
8	**	7/16" LOCK WASHER	12
9	**	7/16" NC NUT	12
***	***	HARDWARE BUY LOCALLY	***