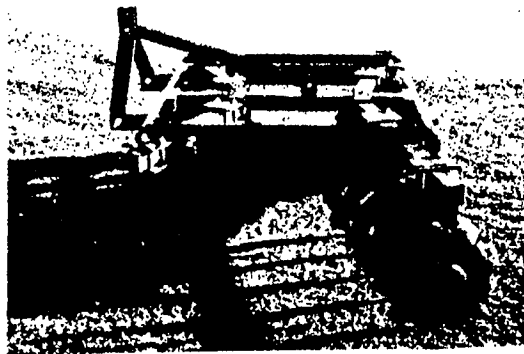


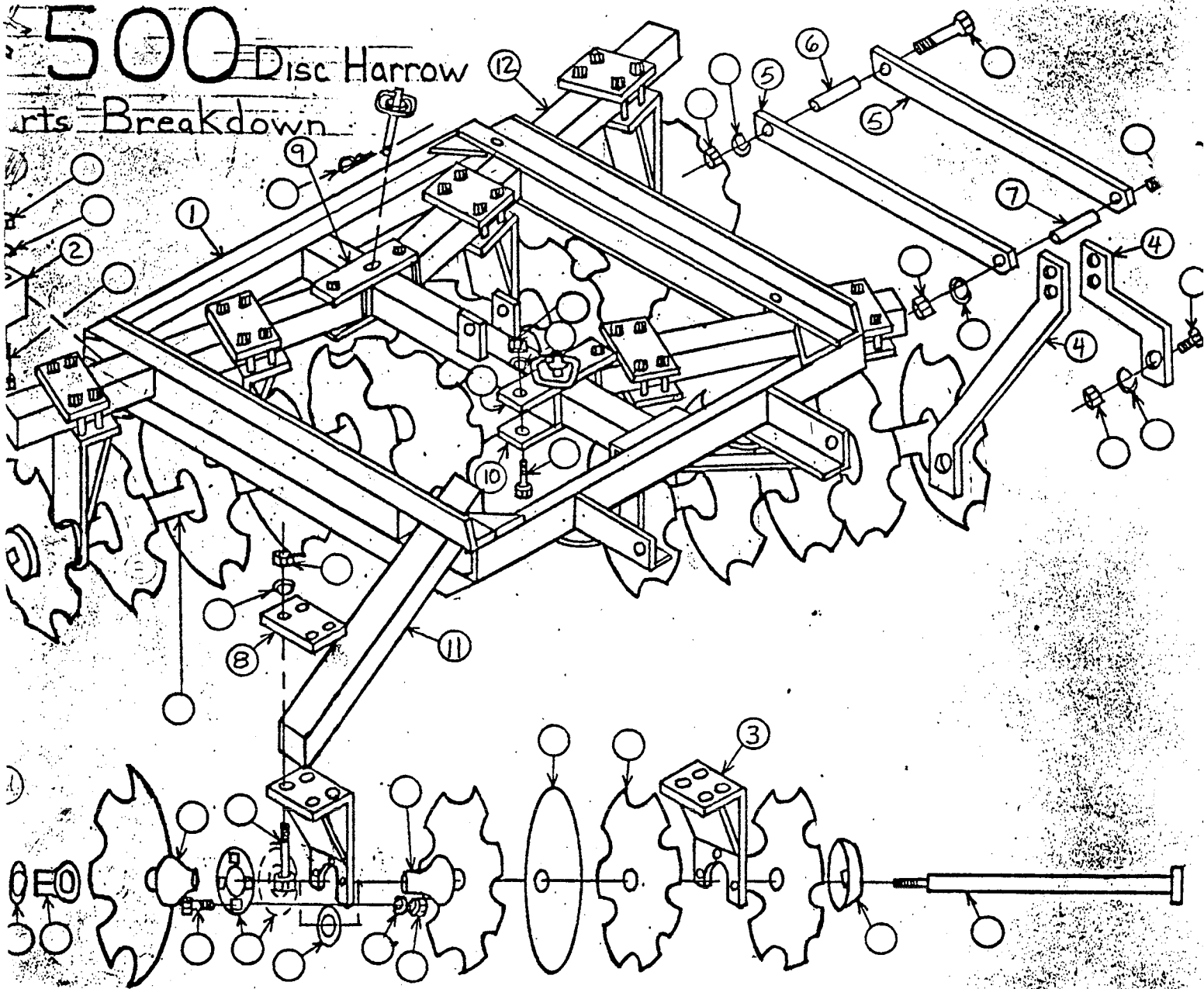
500 DISC HARROW

OWNER'S/OPERATORS MANUAL



500 Disc Harrow

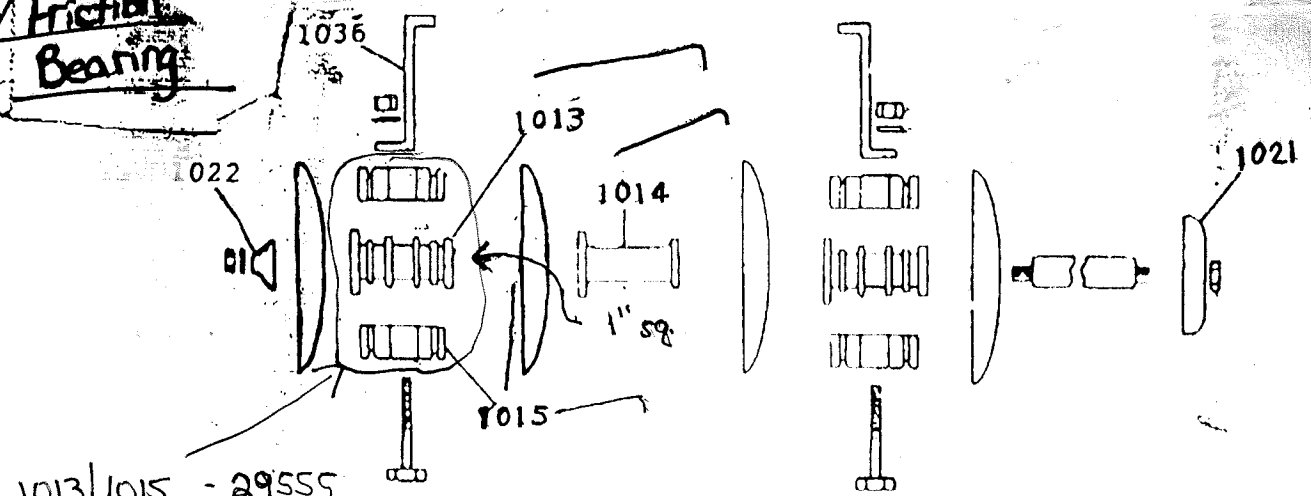
Parts Breakdown



Part No.	Description	Quantity	No.	Part No.	Description	Quantity
	Weld Frame Unit for 16, 18, 20, 22 & 24 Blade		5		Hitch Braces for 16, 18, 20, 22, 24 Blade	
	4" x 2" x 3" x 4 7/8" Angle w/ 2 Hole & 2 cuts	4	6		3/8" x 2" x 36 1/2" Flat Bar w/ 2 Holes & 1 cut	2
	1/4" x 3" x 35 1/2" Flat Bar w/ 2 Bends	2	7		2" x 3/4" I.D. PIPE	1
	41" x 3" Channel	1	8		1 1/4" x 3/4" I.D. PIPE	1
	48" x 3" channel	2			Gang Stand Plates for 16, 18, 20, 22, 24 Blade	
	3/8" x 3" x 3" x 4 1/2" Tube w/ 8 Holes &				3/8" x 4 1/2" x 6" Flat Bar w/ 4 Holes	8
	3/8" x 2 1/2" x 5 1/2" Flat Bar w/ 2 Holes welded on	1			*All 22 & 24" Blades get 16 Plates	
	8" x 3" Channel	1			Slider Brackets for 16, 18, 20, 22, 24 Blade	
	3/8" Flat Bar Knockout	2	9		Slider Top 3/8" x 3" x 10" Flat Bar w/ 3 Holes & 3/8" x 3" x 3" Flat Bar welded on	2
	3/8" x 2" x 9" Flat Bar	2	10		Slider Bottom 3/8" x 3" x 10" Flat Bar w/ 3 Holes	
	1/4" x 3" x 3" x 9" Angle w/ 1 Hole	2	11		Gang Arms for 16x16x7, 16x18x7, 16x20x7, 16x22x7, 16x24x7, 18x16x7x9 (combo.) 18x18x7x9, 18x20x7x9, 18x22x7x9, 18x24x7x9, 20x16x7, 20x18x7, 20x20x7, 20x22x7, 20x24x7, 22x16x7, 22x18x7, 22x20x7, 22x22x7	
2	Flapper for 16, 18, 20, 22, 24 Blade					
	3" x 3" channel w/ 2 Holes & 8 cuts	4				
	Gang Stand for 16, 18, 20, 22, 24 Blade					
	3/8" x 6" x 18 1/2" Flat Bar w/ 1/8 Hole & 1 Bend					
	Also 3/8" x 5" x 9" Flat Bar welded in	8				
	Hitch for 16, 18, 20, 22, 24 Blade					

Replacement Parts for DISC HARROWS

Friction Bearing

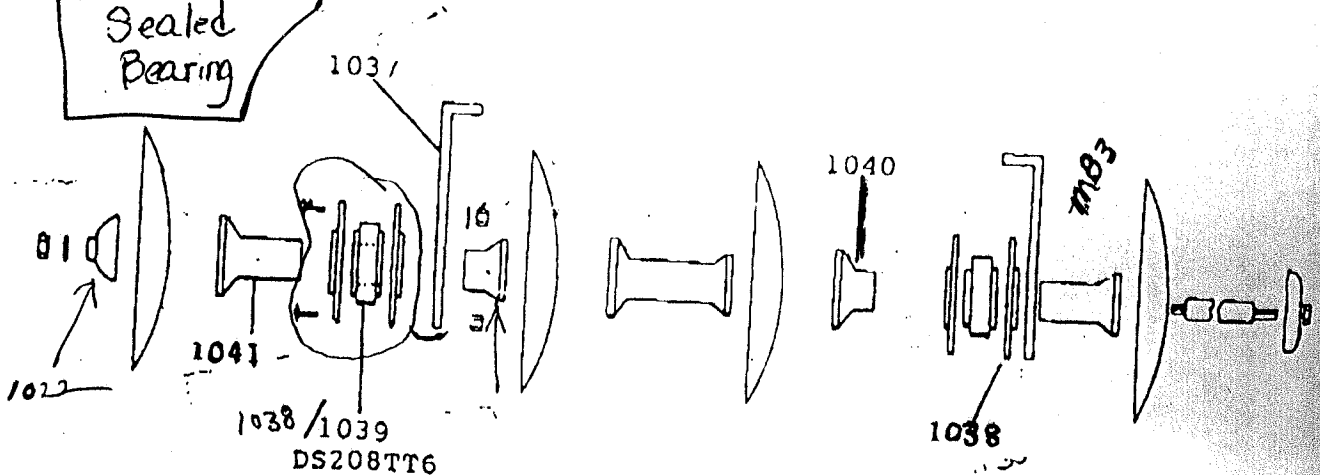


1013/1015 - 29555
spool: cap assy.

- 1036 Disc Gang Mounting Bracket
- 1015 Cast Bearing Housing
- 1013 Ribbed Spacer Spool
- 1021 Bumper Washer
- 7" Long 1014 Spacer Spool (Smooth)
- 1022 End Cap

for both types

Sealed Bearing



- 1022 END CAP
- 1037 Disc Gang Mounting Bracket (BB)
- 1038 Flangette
- 1039 1" Sealed Ball Bearing
- 5 1/8" 1041 Long Spacer Spool (BB) m B3
- 2 3/8" 1040 Short Spacer Spool (BB) m B1

together < 1038
1037
1039

