

LANDSCAPE BOX

OWNERS/OPERATORS MANUAL

OWNERS/OPERATORS MANUAL

SPECIFICATIONS:

WIDTH:	4', 5', 5 1/2', 6', 7', 8'
DEPTH:	21"
OVERALL DEPTH:	26"
REAR BLADES:	1/2" x 6" REVERSABLE BOLT ON
HITCH:	3 PT. CAT. I
NO. OF SHANKS:	4'--4
	5'--5
	5 1/2'--5
	6'-- 6
	7'-- 7
	8'-- 8
SHANK ASSEMBLY:	1/2" x 2 1/2" x 15" WITH WELD ON POINT.
MOLD BOARD HEIGHT:	17"
WEIGHT:	4'-- 405 LB.
	5'-- 455 LB.
	5 1/2'-- 493 LB.
	6'-- 515 LB.
	7'-- 617 LB.
	8'-- 657 LB.

ASSEMBLY:

The Landscape Box comes completely assembled from the factory. There is no further assembly required by the dealer or the customer upon arrival.

BLADE AND TRACTOR PREPARATION:

The Landscape Box is designed for tractors ranging from 25 hp to 60 hp with cat. I hitches. This line of box scraper blades can be easily adapted to fit cat. II tractor hitches. The Landscape Box is offered in six different sizes.

SPECIAL NOTICE: All warranty is void when the Landscape Box is used with a tractor in excess of 60 hp.

ATTATCHING AND DISCONNECTING:

When attatching the box blade to the tractor, connect the lift arms to the implement pins and secure in place with retaining pins. Connect the top link to the upright A-frame and adjust the top link until blade is level.

When removing the box blade, lower it to the ground; place tractor in the neutral position, lock the brakes and shut off the engine. Be sure to keep your hands and feet from under the blade at all times.

OPERATION:

The A.T.L.A.S. LANDSCRAPE BOX is designed to dig up dirt and other material and transport it at the same time to another location. The adjustable shanks on the front of the box blade may be raised or lowered to three positions at approximately $\frac{1}{4}$ " increments by removing the positioning pins. This will allow the operator to dig up more soil if the ground is hard or simply scoop up loose material.

A greater degree of angle may be utilized by shortening the top link and allowing the shanks to dig deeper and at the same time allowing the inside rear blade to bite into the ground.

To avoid excessive swaying of the box blade use stabilizer bars or check chains. Grading may be done by lowering the box blade to the ground and backing up to the material to be smoothed out.

Once the material has been loosened with the scarifiers and transported by the box it can be dumped in one spot by stopping the tractor and raising the lift on the tractor. If a person desires the material to be distributed over a larger area, begin to raise the tractor lift very slowly while still moving ahead.

TRANSPORTING:

Local government regulations are applicable to this and all farm equipment. When transporting the box blade on a public road use warning lights on tractor as well as SMV signs, reflectors and other warning devices to ensure proper warning to operators of other vehicles.

Raise the box blade as high as possible above the ground. This will make it easier for other vehicles to see as well as maintaining a safe clearance from the ground.

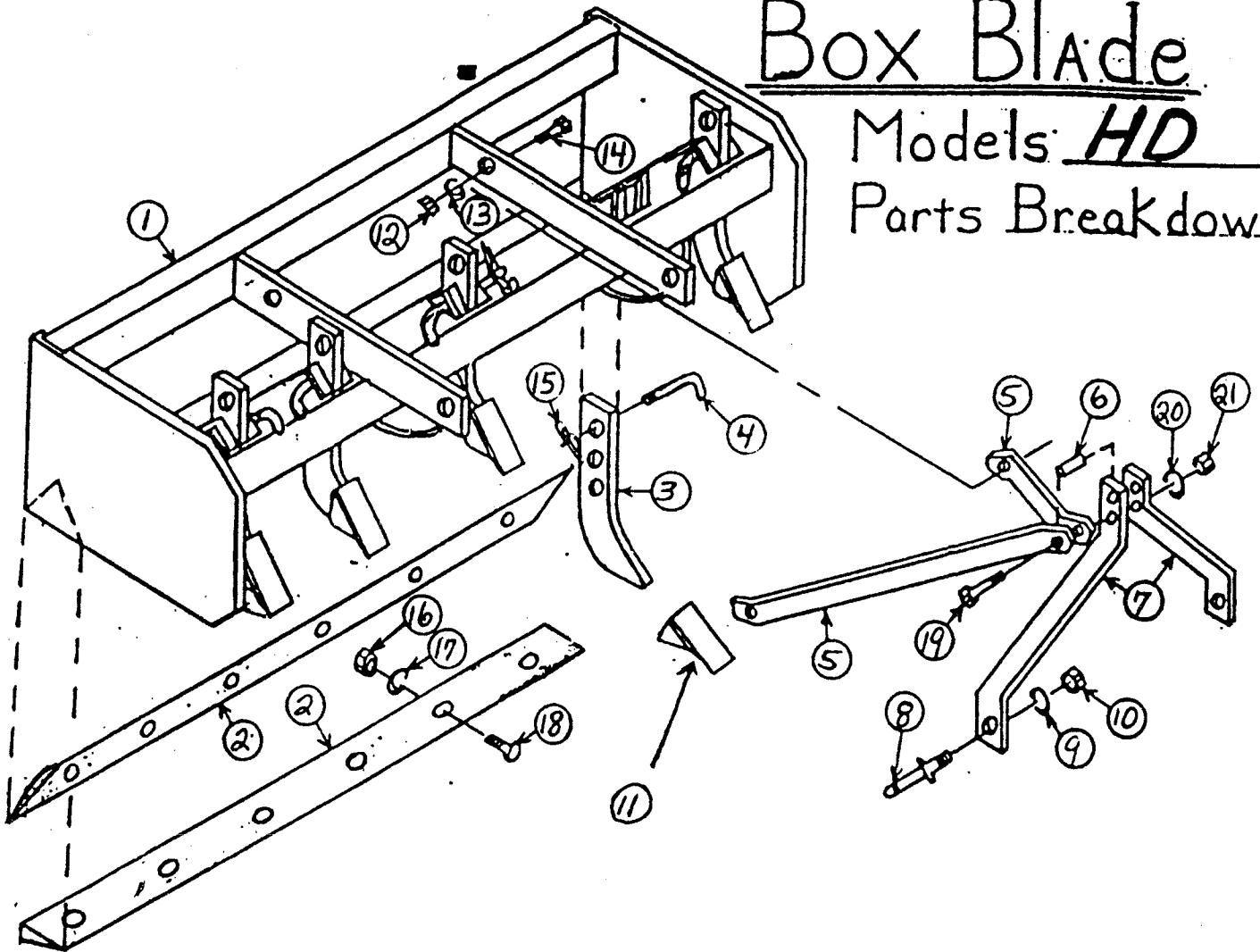
Never transport this blade at a high rate of speed. The weight of the blade, especially on rough fields or roads can cause the tractor to bounce giving the opportunity for damage to the tractor or implement to occur and the possibility of bodily injury.

Always allow extra clearance when turning the tractor while the blade is attached. Remember that the overall length of the tractor is increased when the blade is attached.

Box Blade

Models: HD

Parts Breakdown



Part No.	Part No.	Description	4"	5"	5 1/2"	6"	7"	8"	Part No.	Part No.	Description	4"	5"	5 1/2"	6"	7"
1	404	Main Body	1	-	-	-	-	-	7	409	1/2" X 3" X 24" A-Frame	2	2	2	2	2
1	505	Main Body	-	1	-	-	-	-	8	P728	Hitch Pins	2	2	2	2	2
1	555	Main Body	-	-	1	-	-	-	9	*	1/8" Lock washer	2	2	2	2	2
1	606	Main Body	-	-	-	1	-	-	10	*	3/8" Nut NC	2	2	2	2	2
1	707	Main Body	-	-	-	-	1	-	11	SP1	Scarifier Point	4	5	5	6	7
1	808	Main Body	-	-	-	-	-	1	12	*	1/2" Nut NC	2	2	2	2	2
2	992304	1/2" X 6" X 48" Reversible edge	1	-	-	-	-	-	13	*	1/2" Lockwasher	2	2	2	2	2
2	99527	1/2" X 6" X 60" Reversible edge	-	2	-	-	-	-	14	*	1/2" X 2 1/2" Bolt NC	2	2	2	2	2
2	997034	1/2" X 6" X 66" Reversible edge	-	-	2	-	-	-	15	*	2 1/2" Hair Pin	4	5	5	6	7
2	993375	1/2" X 6" X 72" Reversible edge	-	-	-	2	-	-	16	*	5/8" Nut NC	8	10	10	12	14
2	997551	1/2" X 6" X 84" Reversible edge	-	-	-	-	2	-	17	*	5/8" Lock washer	8	10	10	12	14
2	995171	1/2" X 6" X 96" Reversible edge	-	-	-	-	-	2	18	*	5/8" X 1 1/2" Plow Bolt	8	10	10	12	14
5	SP112	Scarifier Shank	4	5	5	6	7	8	19	*	1/2" X 3 1/2" Bolt NC	1	1	1	1	1
12		1/2" X 6" Adjustment pin	4	5	5	6	7	8	20	*	1/2" Lockwasher	1	1	1	1	1
5	408	1/2" X 3" X 28" Brace	2	2	2	2	2	2	21	*	1/2" Nut NC	1	1	1	1	1
6	SP112	1/2" X 1 1/2" Spacer	1	1	1	1	1	1		*	Hardware Buy Locally					

