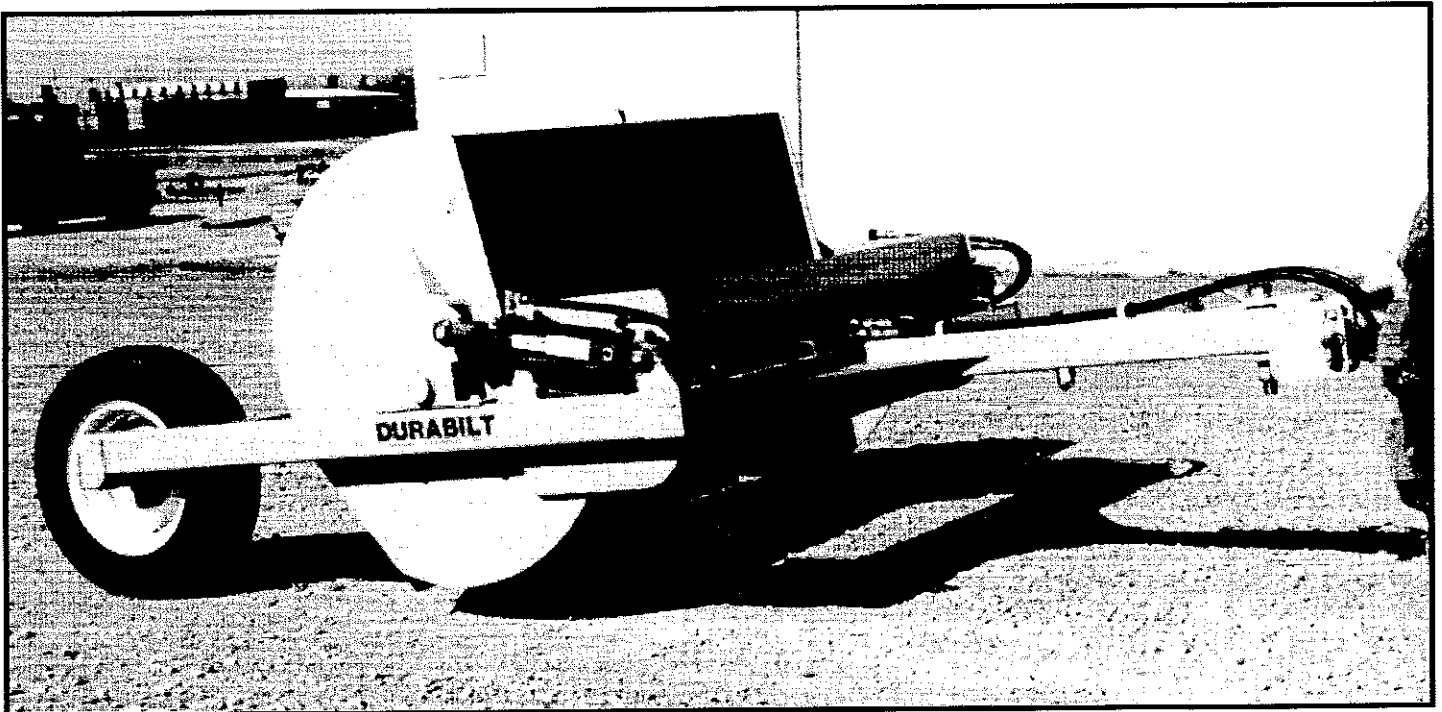


OPERATOR'S MANUAL

DIRT PAIN



MODEL DP 60 / DP 84

DURABILT INDUSTRIES, INC.

1810 Airport Road • Pocahontas, AR 72455
Telephone 870-892-4501 • Fax 870-892-0729

SAFETY PRECAUTIONS

****Study and thoroughly understand your tractor owner's manual. Follow all the safety precautions that are outlined in this manual.**

DIRT PAN OPERATIONAL SAFETY

1. Using the DIRT PAN for purposes not intended could cause serious injury.
2. Never allow anyone to ride on the DIRT PAN.
3. Never allow anyone to work beneath the DIRT PAN while raised by the tractor's hydraulic system.
4. Repair hydraulic leaks and damaged hoses.
5. Do not detach DIRT PAN from the tractor when the bucket is raised or rotated rearward.
6. Lower parking jack before detaching from tractor.
7. Replace any damaged or illegible safety decals.
8. Operate the DIRT PAN only when seated on the tractor with rollover protection and seat belt fastened.
9. Never modify the DIRT PAN or its components without factory approval. This could create an unsafe condition and will void any warranty that is issued by the manufacturer.
10. Never attempt to scoop or move stumps or rocks with the DIRT PAN.
11. Operate the DIRT PAN at slow, safe speeds, especially during scooping operations.

SPECIFICATIONS

Description	DP 60	DP 84
• Pan Capacity	.1 1/2 YD *	.3 YD *
• Cutting Width	.60"	.84"
• Cutting Depth	.0-3"	.0-3"
• Dump Height	.0-8"	.0-8"
• Shipping Weight	.1350 lbs.	.1650 lbs.
• HP Required	.30-60	.60-100
• Valves Required	.Single	.Single
• Cutting Edge	.Replaceable	.Replaceable
• Cylinders	.2 - 3" x 8"	.2 - 3" x 8"
• Tires	.5.90 x 15"	.9.5 x 14"
• Wheels	.15" x 5" x 5 H	.14" x 8" x 6 H

* Measure Heaped

The performance and safety of this item depends on the operator. Please read and understand the instructions in this manual before operating this equipment. The DIRT PAN was designed for particular tasks and for use within specific tractor horsepower ranges. For your safety and satisfaction, please insure that this model fits your intended application. It is your responsibility to properly use and service this product according to the manual or decals installed on the equipment. Replace components as they become worn (blade, axle bushing, etc.) Before allowing others to operate the DIRT PAN, insure that they fully understand all safety and operational instructions.

The DIRT PAN attached to the three point lift of tractors is intended to be used in landscaping, agriculture, and light construction. The unit provides an efficient means of scooping, lifting and moving soil between fill and dump points without dragging soil.

Features include variable cutting depth controlled by the tractor's three point lift and variable dig angle and dump height hydraulically controlled also by the tractor's single remote valve.

NOTE: Consult the specification chart for required horsepower.

Attaching the DIRT PAN to the tractor.

Note: * The DIRT PAN is shipped without hydraulic couplers.

* One pair of hydraulic remote outlets is required to operate the DIRT PAN.

Before attempting to attach the DIRT PAN to your tractor, first operate the tractor's three point lift and measure the distance from the ground to the lower lift trunions when the arms are in their lowest position. Record this measurement.

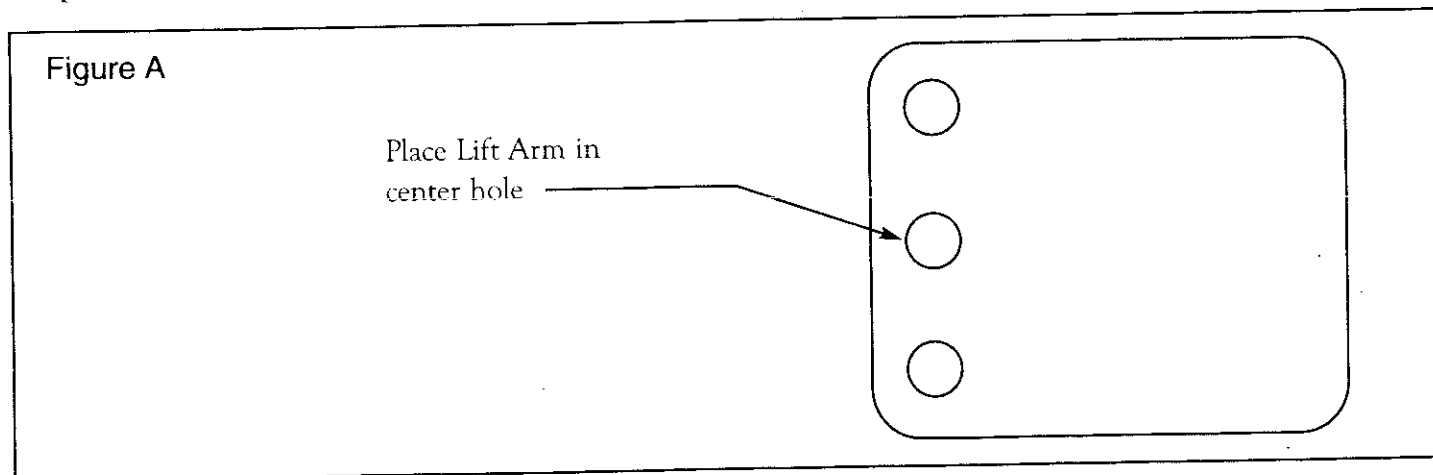
Raise the lift arms to the highest positions and measure the distance from the ground to the trunions. Record this measurement.

These measurements will be used to determine the setting of the pull bar when attached to the lift trunions.

Lift arms on most tractors are within a standard range of 8 inches at the low point to a distance of 32 inches at the high point of the lift range measured from the ground. If your tractor's lift is within this standard measurement, position the lift arms as shown in figure "A".

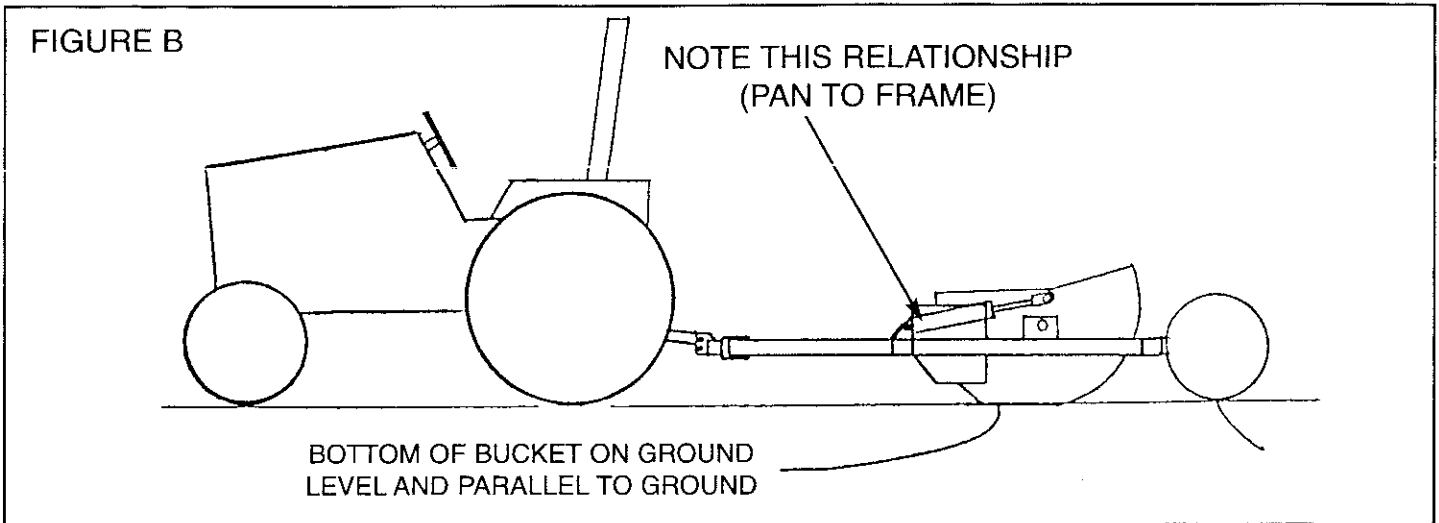
If during operation you desire to increase or decrease your cutting depth, adjust your connection at the pull bar by raising or lowering the pull pins at this location. You may have to try several different locations to achieve the most desirable positioning.

Pin the tractor's lift arms to the pull bar after proper position is determined and install the safety clips through the pins.



OPERATIONS

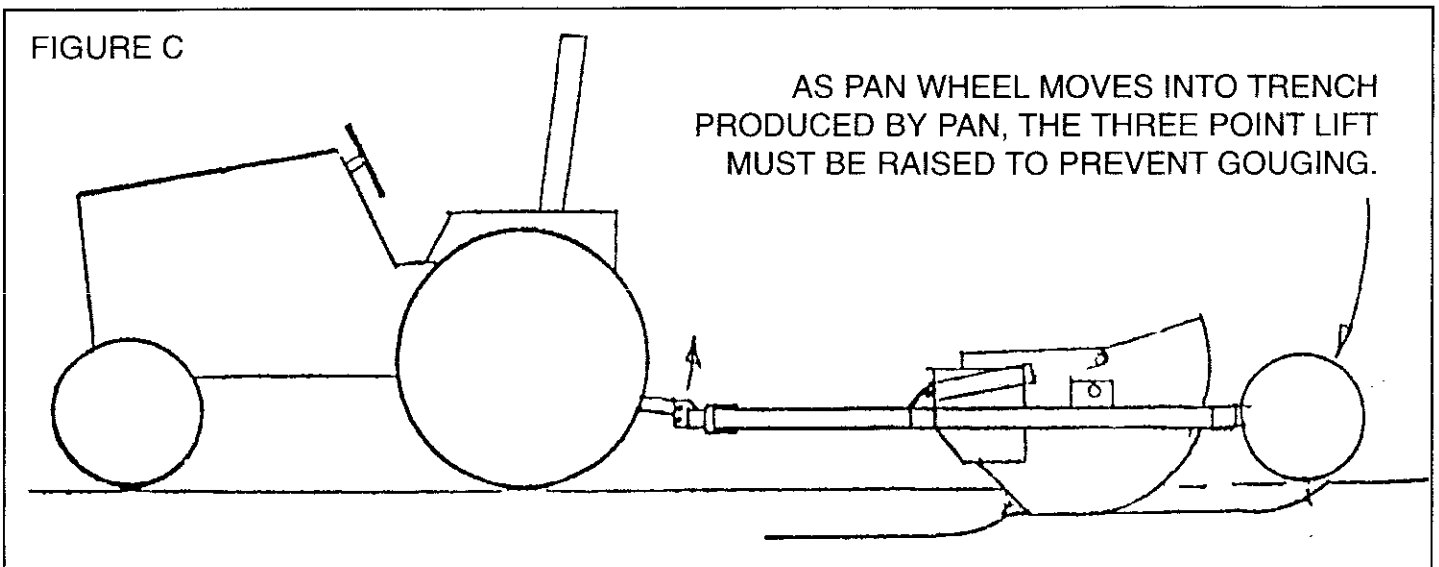
Familiarize yourself thoroughly with the hydraulic remote and the three point lift and their effects on the Durabilt DIRT PAN. Practice positioning the blade so that it will be parallel during scooping. Lower blade into scooping position. Note the relationship of the bucket end panel to the top of the front gate. (See drawing below.) The blade cannot be seen from the tractor seat during operations and this relationship between bucket and gate will be used for positioning.



Until you become proficient in the below procedure, practice scooping on level ground free of grass, debris or weeds.

With the DIRT PAN positioned as in the figure above and the tractor moving forward, lower the tractor lift arms approximately 1". This downward movement of the pan tongue will produce a slight tilt of the cutting edge and thrust the blade edge into the soil. Scooping depth should be under one-half of the lift arm's movement. Soil should begin moving into the bucket. As the pan's wheels fall into the trench cut by the blade, they will have to be raised to prevent this occurrence. To prevent overloading the DIRT PAN, the tractor's lift arms must be raised to their original position as the DIRT PAN's wheels enter the trench cut by the blade. Practice this procedure until positioning becomes routine.

Failure to master the above procedure will result in uneven scooping, bogging the tractor and inefficiency. If drawbar pull exceeds the dirt pan's capacity, the hydraulic cylinders will bypass, allowing the bucket to tilt into a steep digging angle. When this occurs, the bucket will gouge into the ground, forward progress will stop and possible damage to the equipment will result.



In some conditions the approach angle of the blade may need to be steeper. Loose soils require less drawbar horsepower but an increased approach angle and deeper digging depth. Practice varying the approach angle until most efficient scooping occurs.

Normally a relatively shallow cut, about 1.5" will result in the most efficient scooping.

Forward motion of the tractor should continue until the bucket is completely filled.

When the bucket is full, simultaneously close the bucket and raise the tractor's three point lift. Scooping will cease, soil will be contained and the bucket will clear the ground for transporting.

DUMPING

When you arrive at your dump sight, begin opening the bucket. Even spreading of the soil over a distance may be accomplished by slowly opening the bucket as forward motion of the tractor continues. Note the soil flow from the bucket. As the flow stops, open the bucket further. Dumping can be concentrated over a shorter distance by stopping the tractor, opening the bucket to the maximum extended followed by the forward movement of the tractor. You may partially lower the tractor's lift arms to decrease fill depth. Normally satisfactory results can be accomplished by leaving the lift arms at full height.

When bucket is emptied, always raise the arms to maximum and roll the bucket into closed position before continuing. Failure to close the bucket can result in hanging an obstacle during transporting and possibly damaging the dirt pan.

NOTE: Results are typically unsatisfactory when attempting to dig through sod. Best results are obtained by first scarifying or discing the sod prior to scooping operations.

SERVICE & MAINTENANCE

1. Before each use, inspect the hydraulic cylinders to insure that all safety clips are in place and are not worn or damaged.
2. Visually inspect DIRT PAN for damage or wear to bucket axles and or axle bushings.
3. Inspect hydraulic hoses and fittings for wear and leaks. Seal and/or tighten all leaking components.
4. Before each use, apply grease to all fittings as indicated by decals on DIRT PAN.
5. Replace any damaged components as necessary.

CAUTION

DURING OPERATION, HYDRAULIC FLUIDS ARE UNDER VERY HIGH PRESSURE. ESCAPING FLUID CAN PENETRATE CLOTHING AND SKIN CAUSING SERIOUS INJURY. IF THIS SHOULD OCCUR, SEEK MEDICAL ATTENTION IMMEDIATELY.

WARRANTY

Durabilt Industries, Inc. warrants that the DIRT PAN is free of defects in material and workmanship for a period of 90 (ninety) days from the date of the invoice to the first registered owner, provided that the unit has been operated and serviced according to recommendations. Unservicable parts will be replaced or repaired, free of charge, at Durabilt's option, upon the examination at our factory. All transportation costs are the responsibility of the customer. In no event shall Durabilt Industries, Inc. be liable for indirect or consequential damages arising out of the use of this product. Apart from the above expressed warranty, there are no warranties, expressed, implied or statutory, including without limitation, warranties of merchantability and fitness for a particular purpose which extend beyond this description.

REGISTRATION

In order to qualify for coverage on this limited warranty, the product model and the name of the original purchaser must be registered with Durabilt Industries, Inc. by mailing a completed WARRANTY CARD within fifteen (15) days after purchase by the original owner.

DURABILT INDUSTRIES, INC.
1810 AIRPORT ROAD
POCAHONTAS, AR 72455
870-892-4501